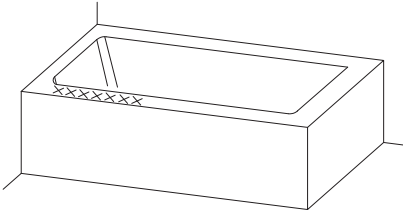


IMPORTANT

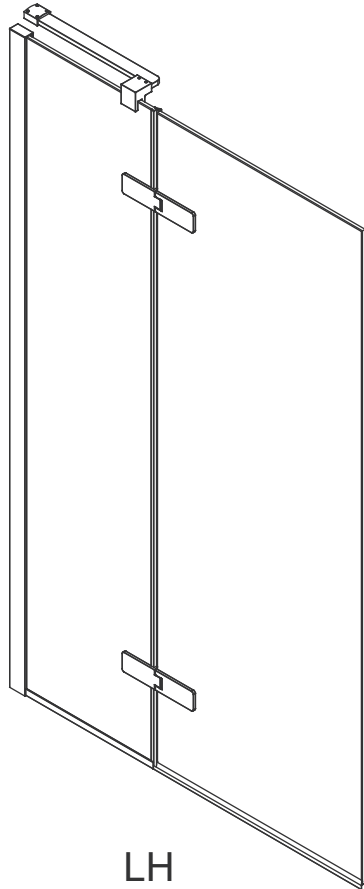
BEFORE STARTING THE INSTALLATION ENSURE ALL THE DOOR SIZE MEASUREMENTS CORRESPOND WITH THE INSTALLATION AREA INCLUDING THE FINISHED TILED/PANELLED WALLS. RETURNS DUE TO INCORRECT SIZING WILL NOT BE ACCEPTED.



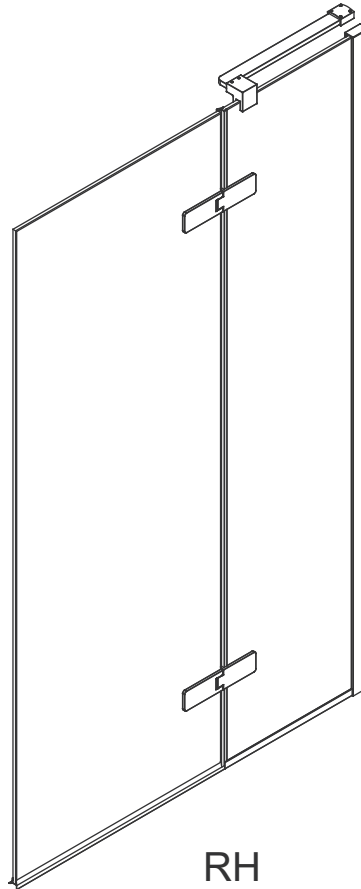
Important Pre-Installation

Ensure the bath rim is as flat as possible, this will assist in a smooth and water tight moving door operation.

- OXBDHFC0900L 40Kgs
- OXBDHSC0900L 40Kgs
- OXBDHVC0900L 40Kgs



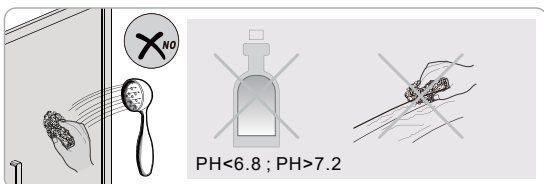
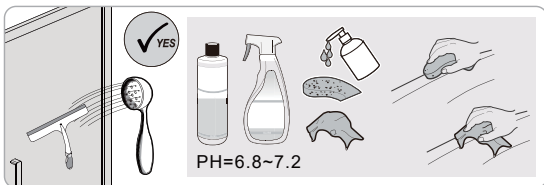
LH



RH

- OXBDHFC0900R 40Kgs
- OXBDHSC0900R 40Kgs
- OXBDHVC0900R 40Kgs

Optix 10 Hinged Bath Screen 180°



INSTALLATION INSTRUCTIONS



IMPORTANT - Please read before installation

Please read these instructions carefully before starting installation and keep in a safe place for future reference.

Check the contents of the pack carefully before installation. Crosswater will not be held responsible for any de-fit / re-fit costs where faulty product has been fitted.

If any fault is found with materials or workmanship, it must be reported immediately to the manufacturer. Remedial action will be taken, based on information received, on condition that:

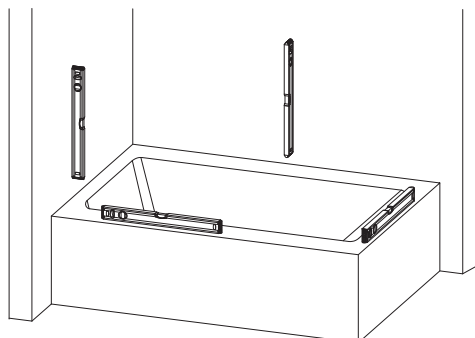
1. Full details are supplied to the manufacturer;
2. The bath screen has not been modified or tampered with;
3. The manufacturer is informed of any damage/shortages prior to installation.

We do not accept responsibility for any problems that may occur through incorrect installation.

The success of the installation and operation of any bath screen is, of course, dependant on the squareness, alignment and construction of the walls to which fixing is to be carried out.

VERY IMPORTANT

You must complete all tiling and grouting, and the bath tub **MUST** be level and fully sealed to the tiles before installation. If you do not fit the bath screen onto a tiled surface, or seal the tiles to the bath before installation, water may soak into the wall behind the wall profiles.



INSTALLATION - Advise and safety

The installation instructions are based on typical use and conditions.

All doors are designed to open outwards only.

Ensure that the product can be fixed to a solid masonry/brick wall or suitable timber stud work grade C16-C24 in the area behind the wall profile and wall brackets.

These instructions have been prepared for your guidance, you must exercise due care at all times.

For Health and Safety 2 people must carry out the installation of this bath screen.

Handle glass with care. Although the glass supplied is toughened safety glass(EN12150), impacts can damage both the glass and the frame.

Warning!

Please check for any hidden pipes or cables before drilling holes in the wall.

When using power tools always follow the manufacturers user instructions.

If the Framework is sealed to the bath on the inside, any water that may get into the framework will not be able to drain back into the tray, this may cause the bath screen to leak.

Leave the silicone sealant to dry for 24 hours before using the bath screen.

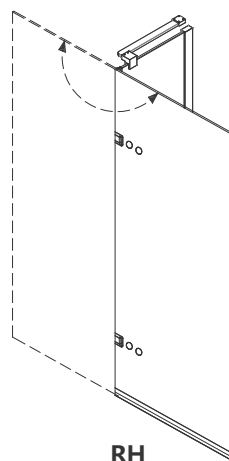
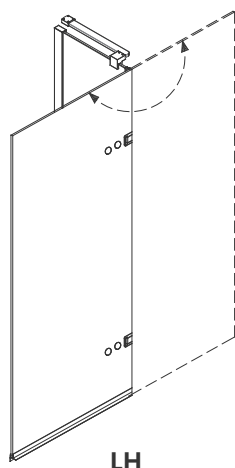
CARE AND CLEANING

Do not use solvents or abrasive material or chemicals to clean the bath screen.

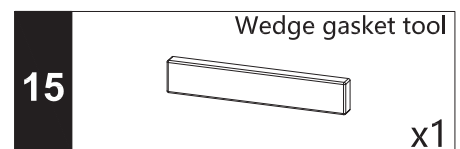
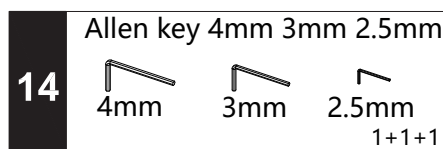
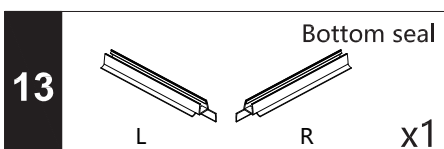
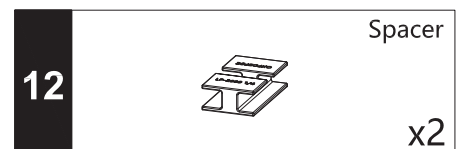
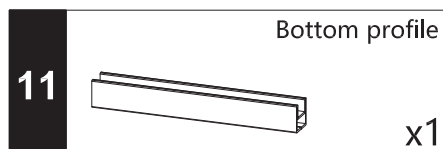
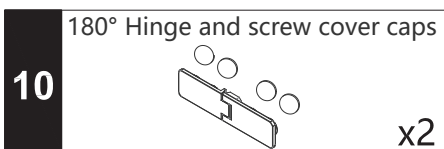
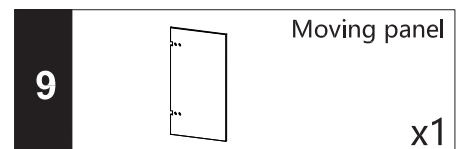
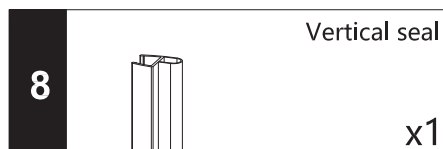
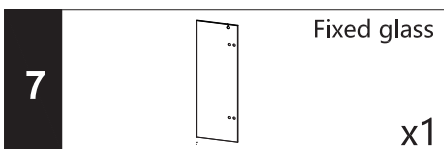
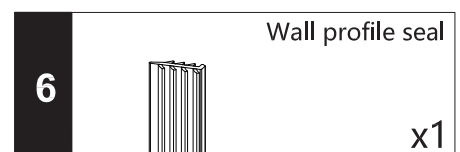
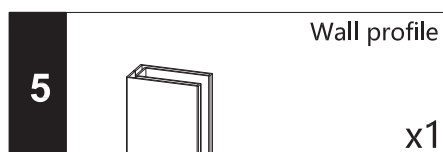
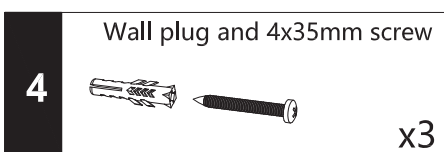
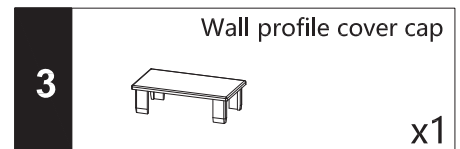
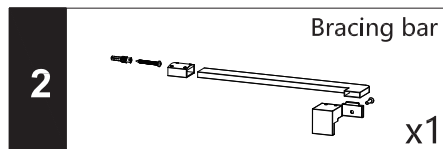
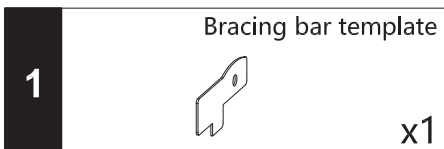
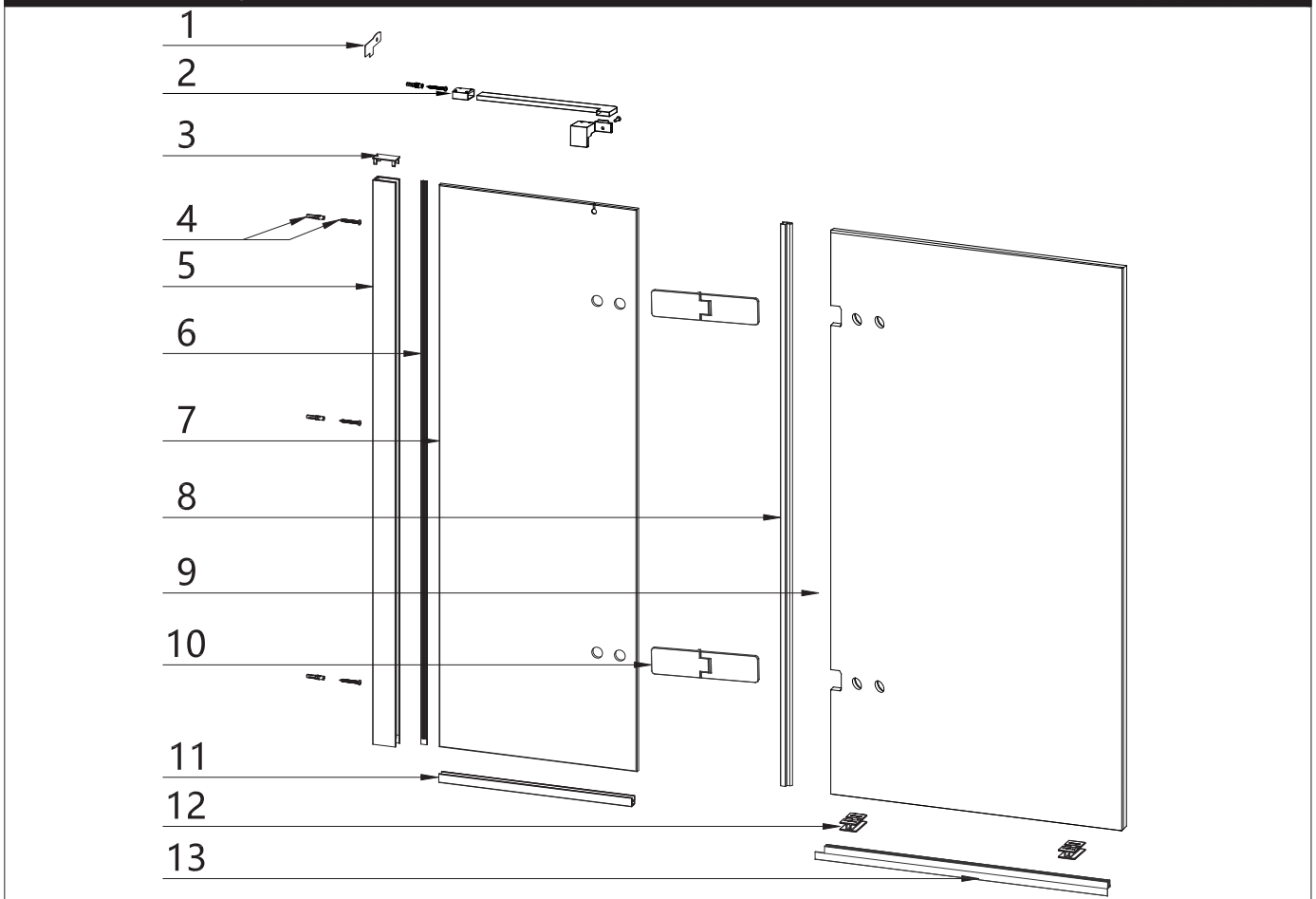
Only clean using soapy water and soft cloth, rinse thoroughly afterwards.

INSTALLATION - Left and Right hand

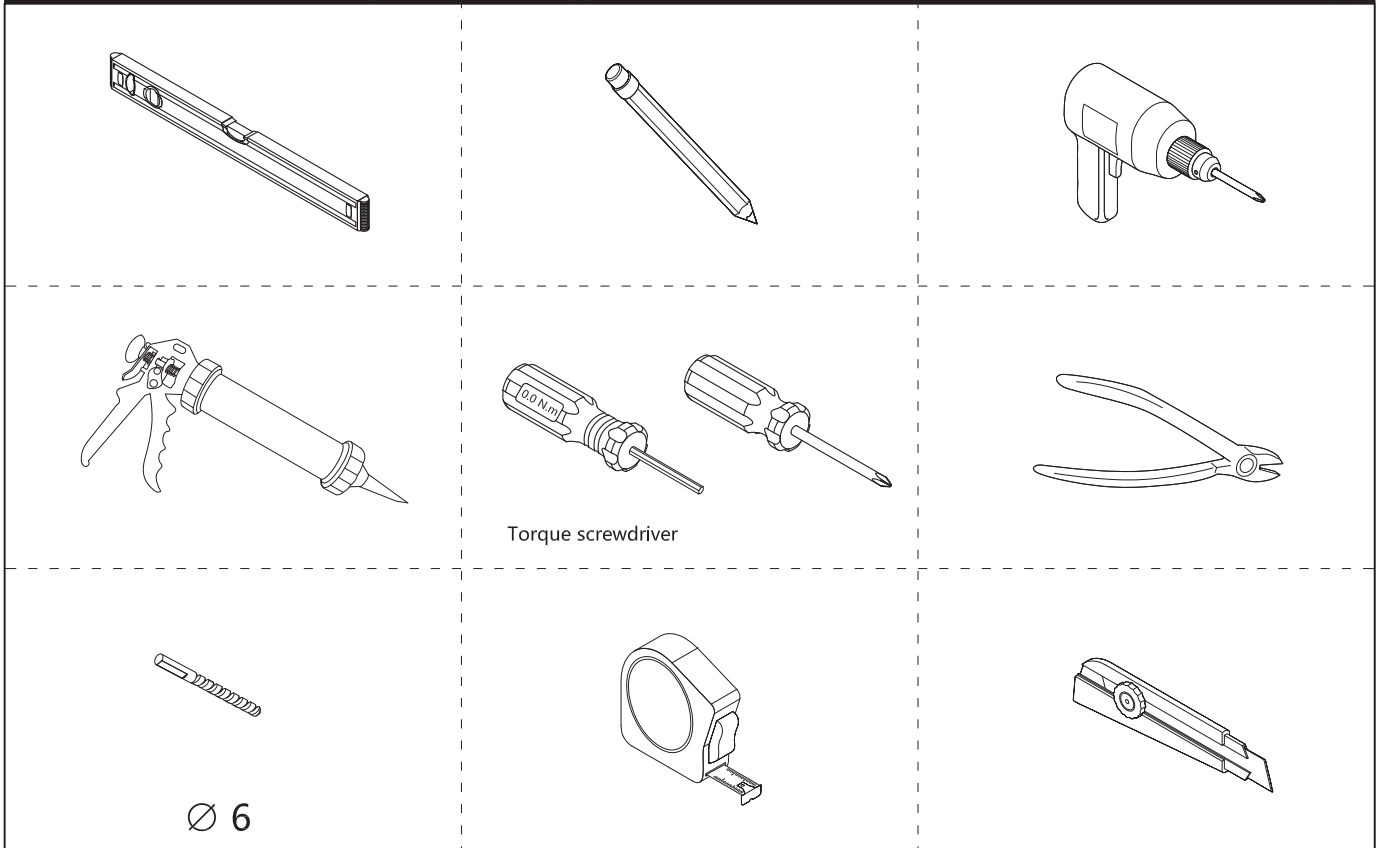
The bath screen has left and right hand versions. This instruction shows the LEFT HAND installation.



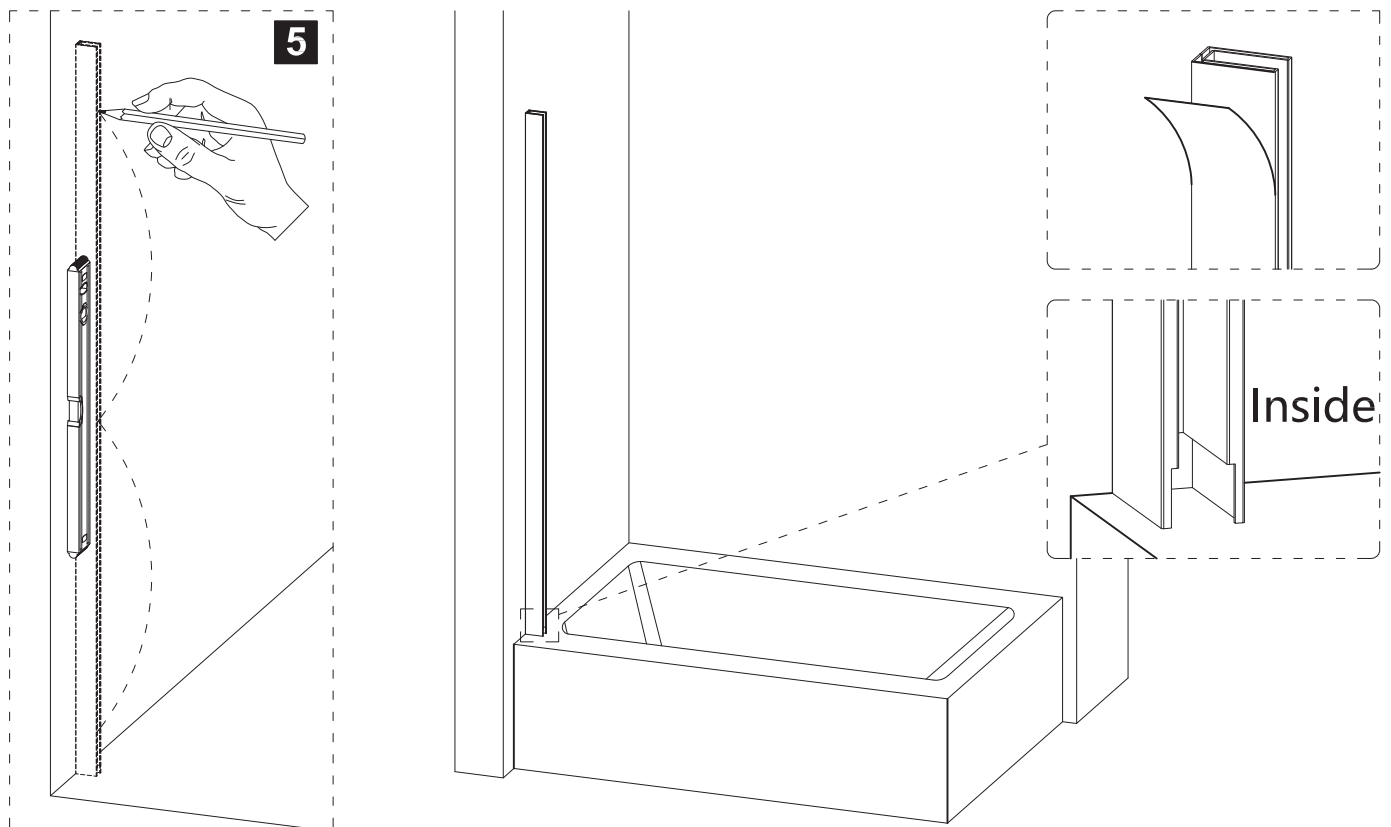
Optix 10 Hinged Bath Screen 180°



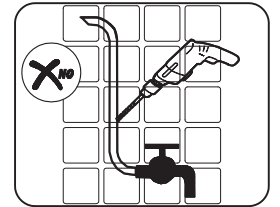
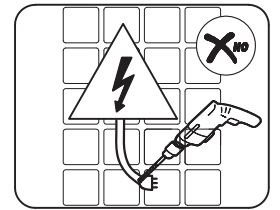
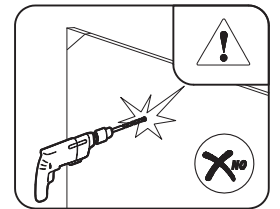
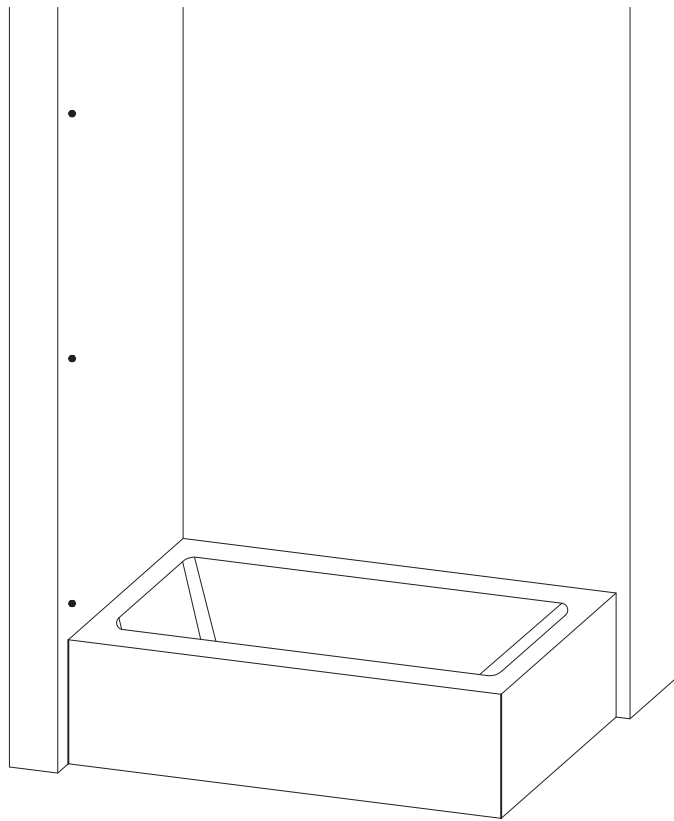
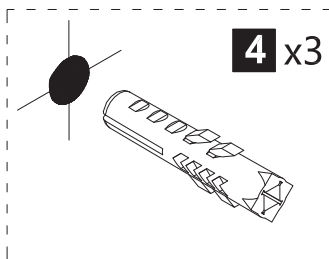
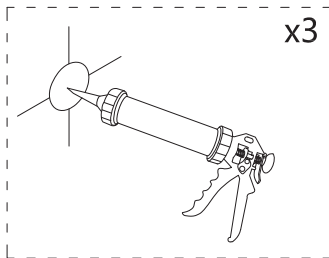
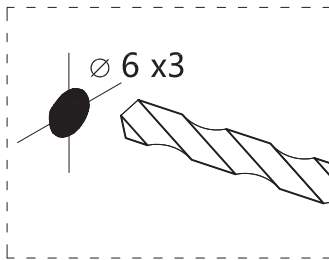
Installation tools required, not supplied



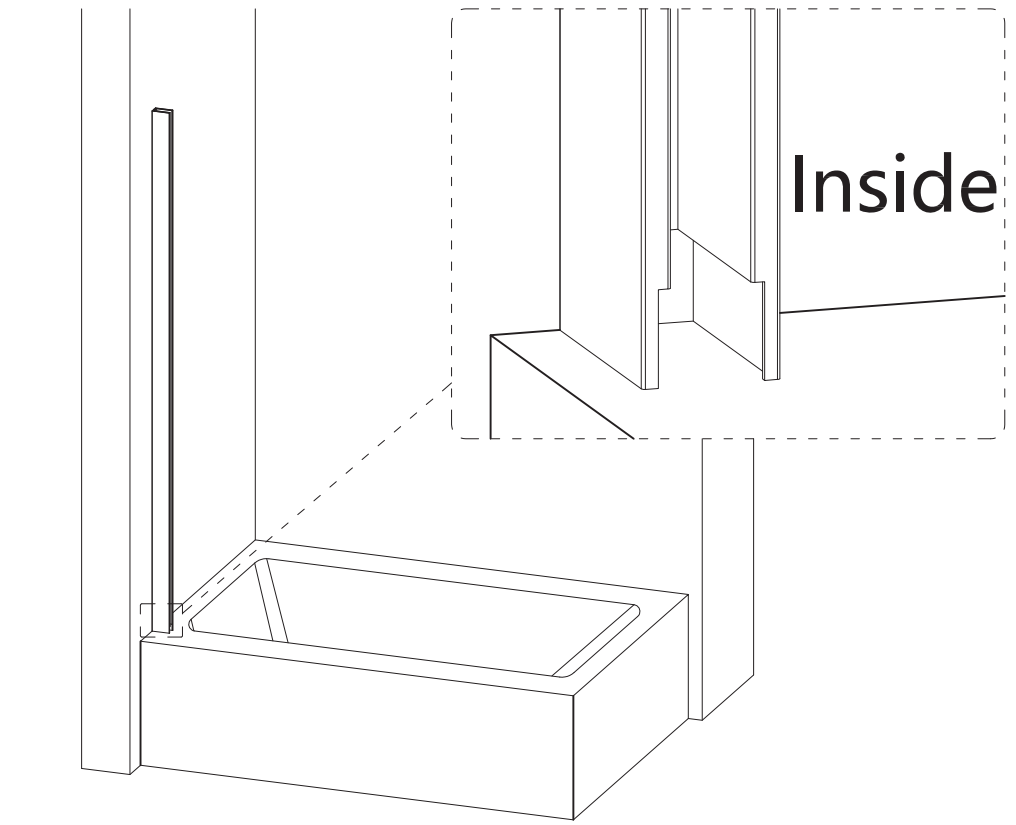
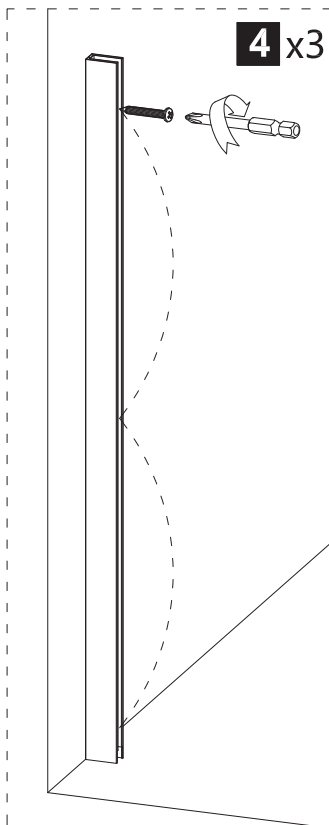
Step 1



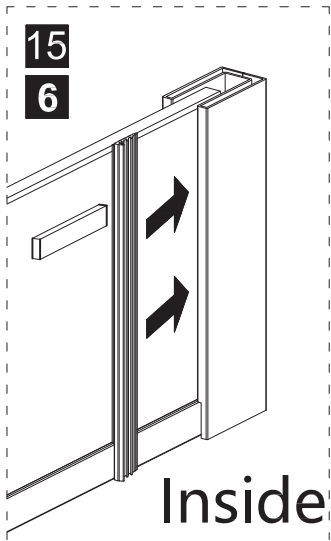
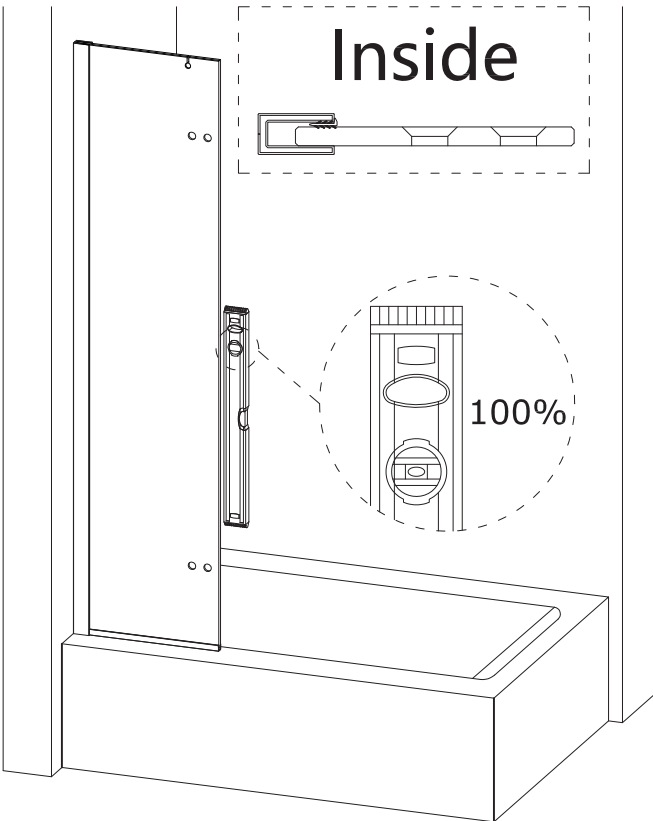
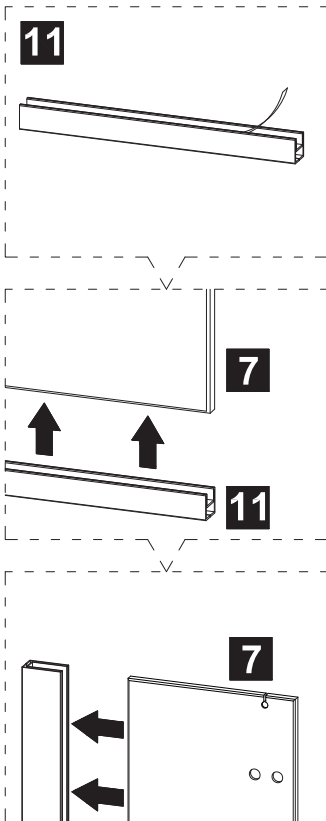
Step 2



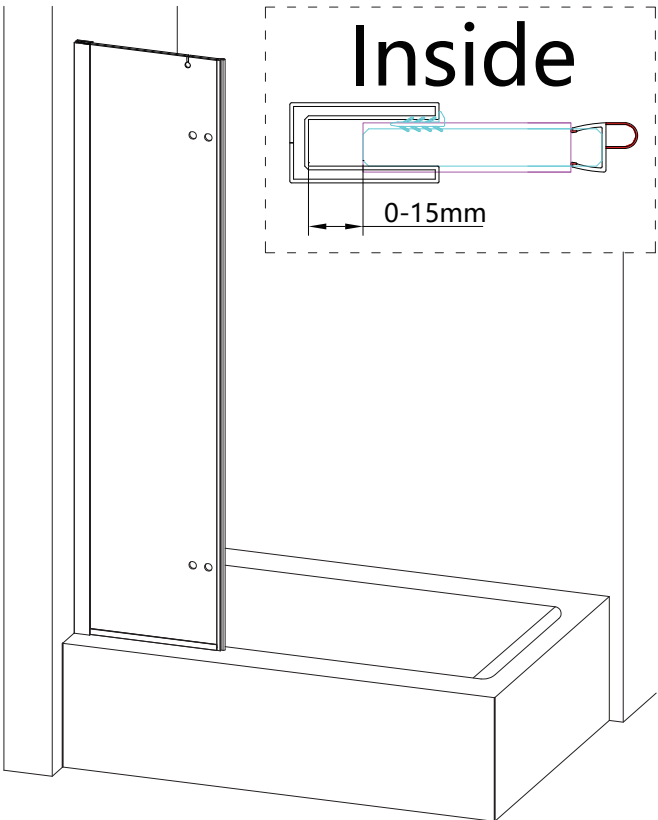
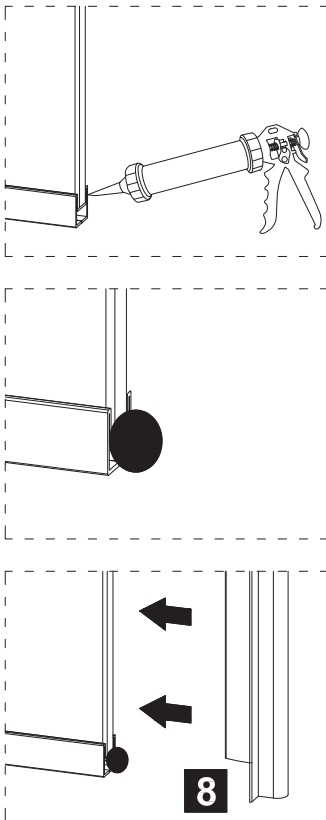
Step 3



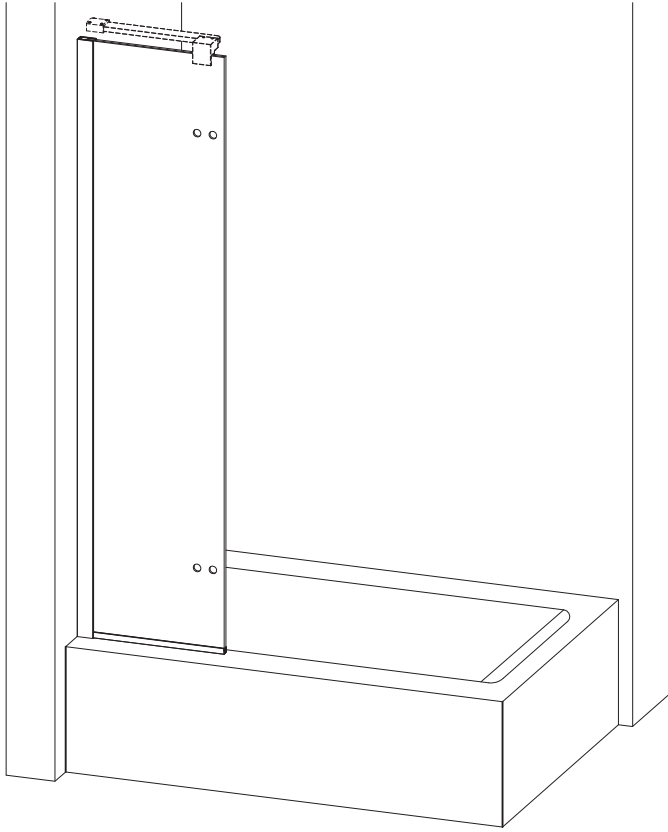
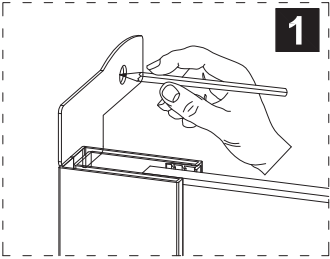
Step 4



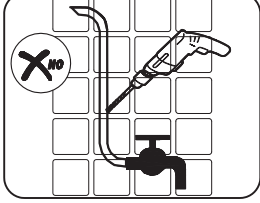
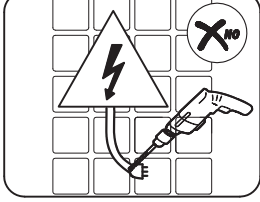
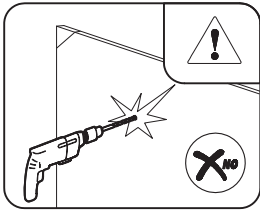
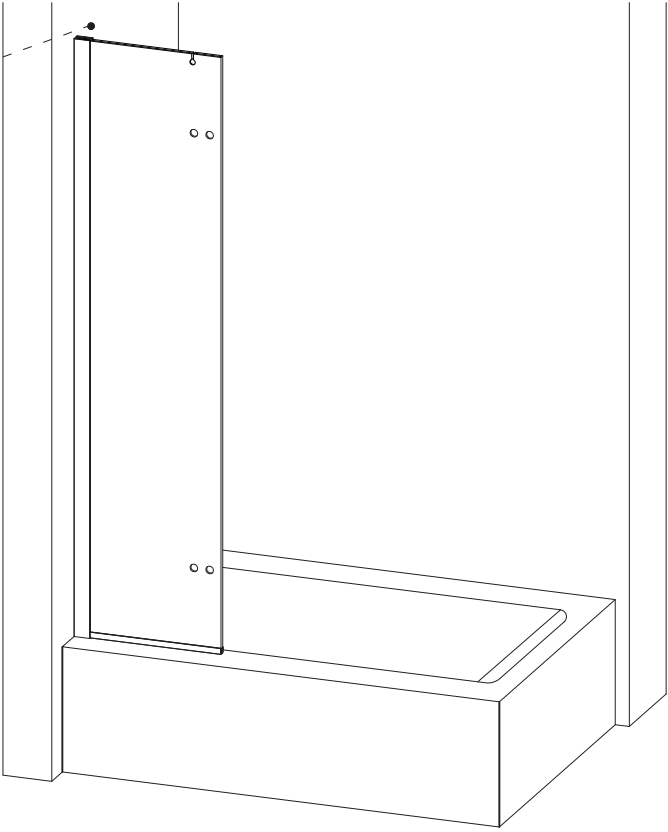
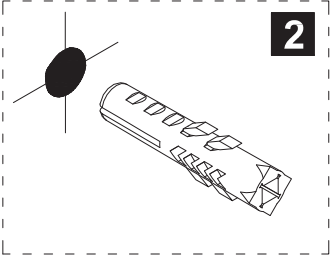
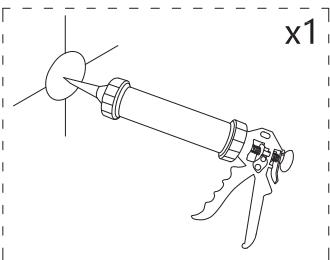
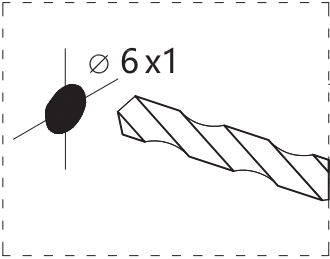
Step 5



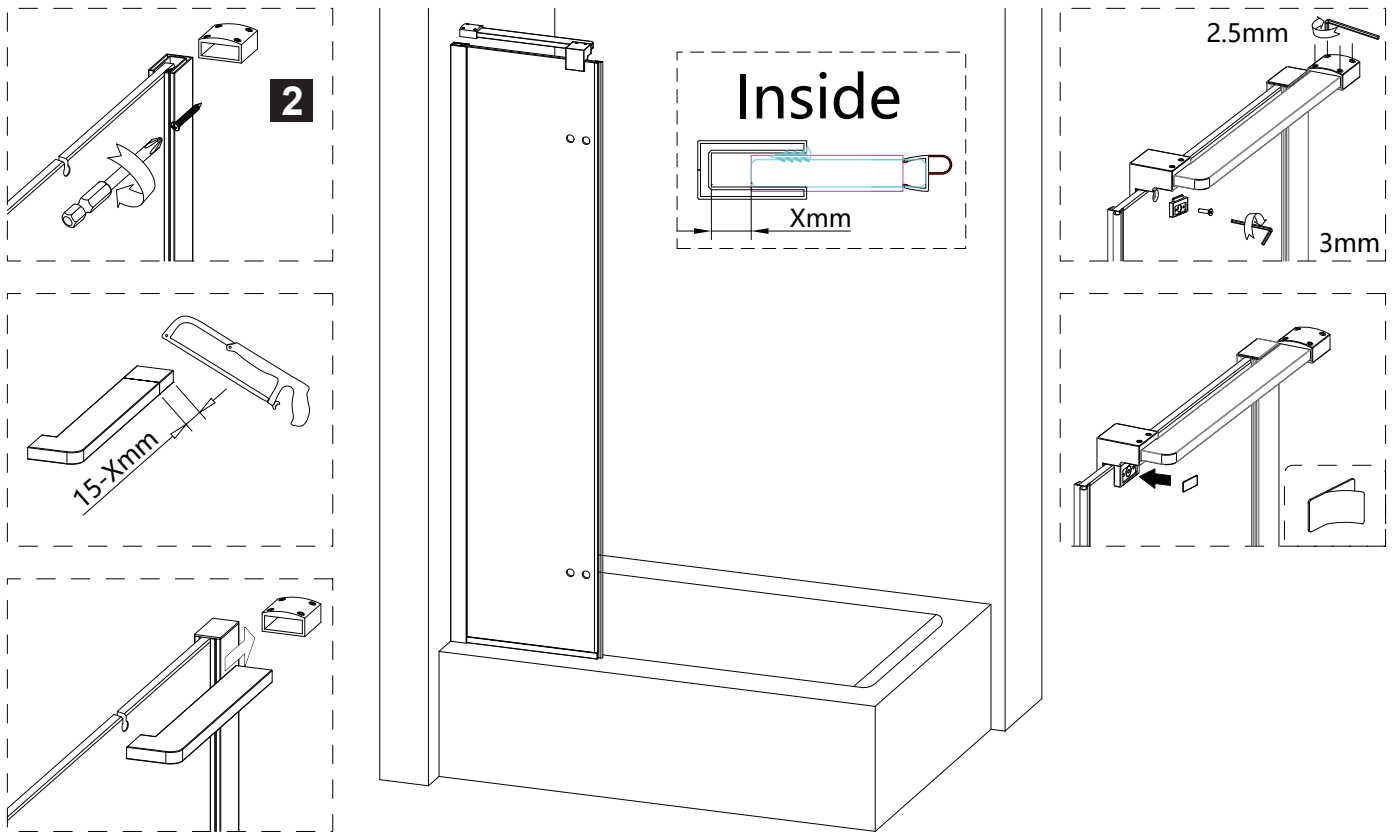
Step 6



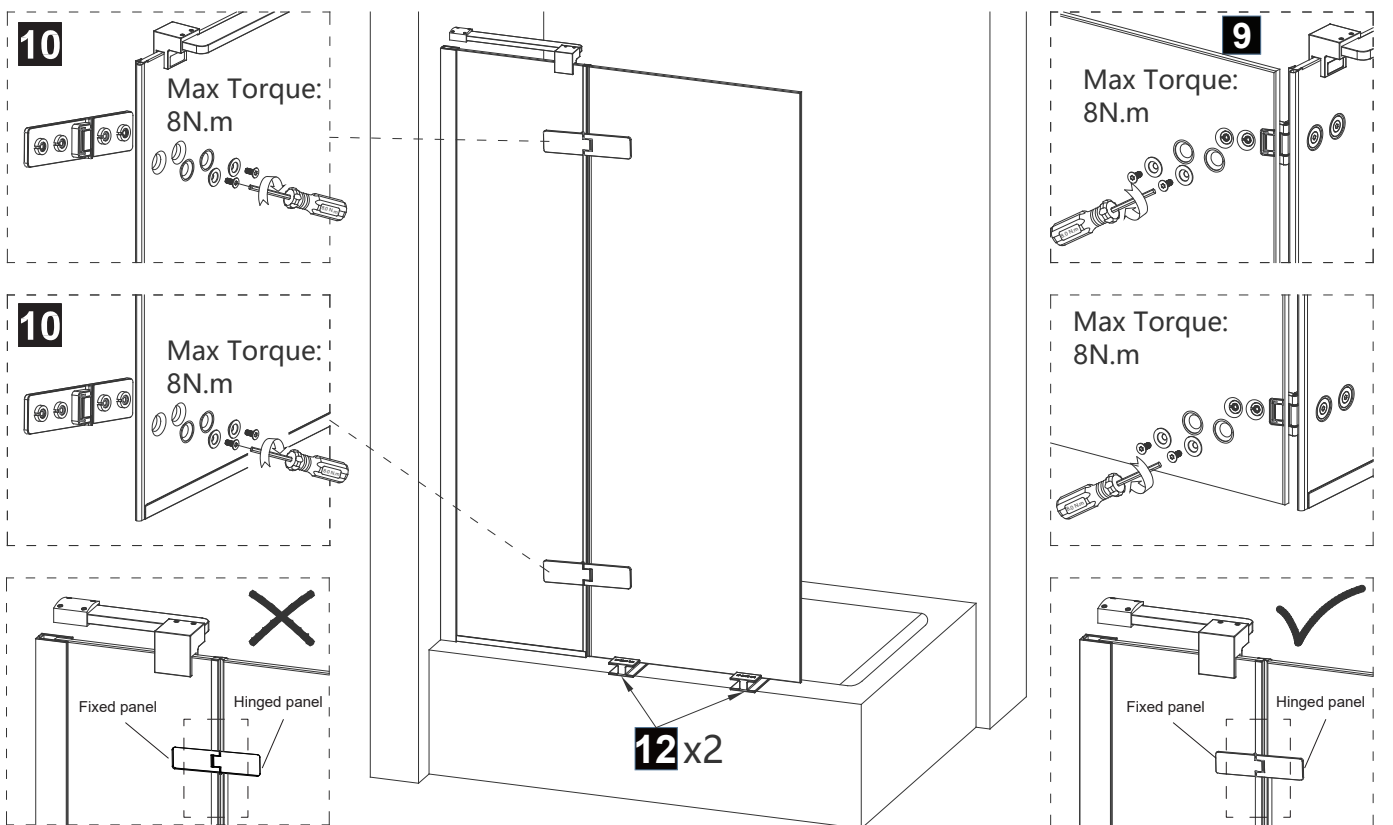
Step 7



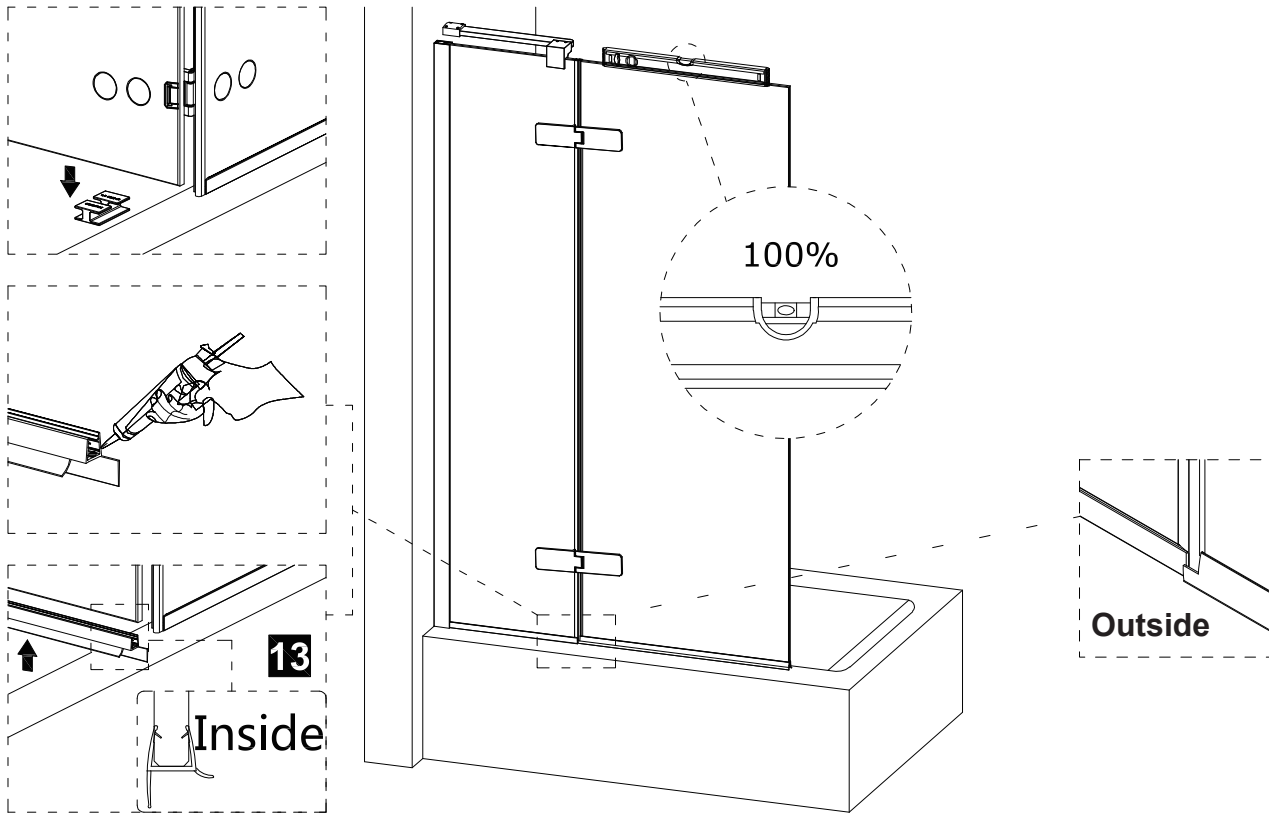
Step 8



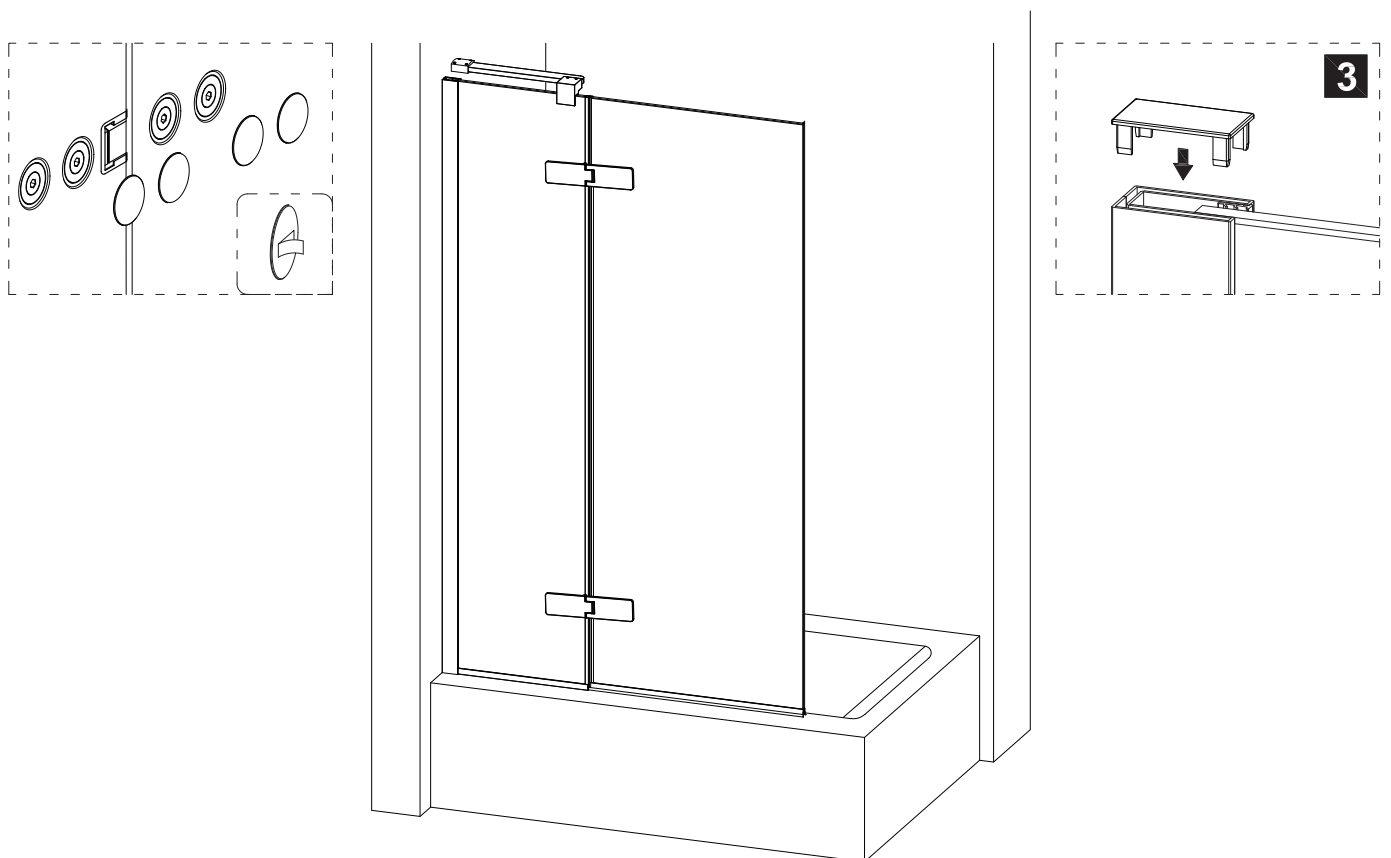
Step 9



Step 10



Step 11



Step 12

