

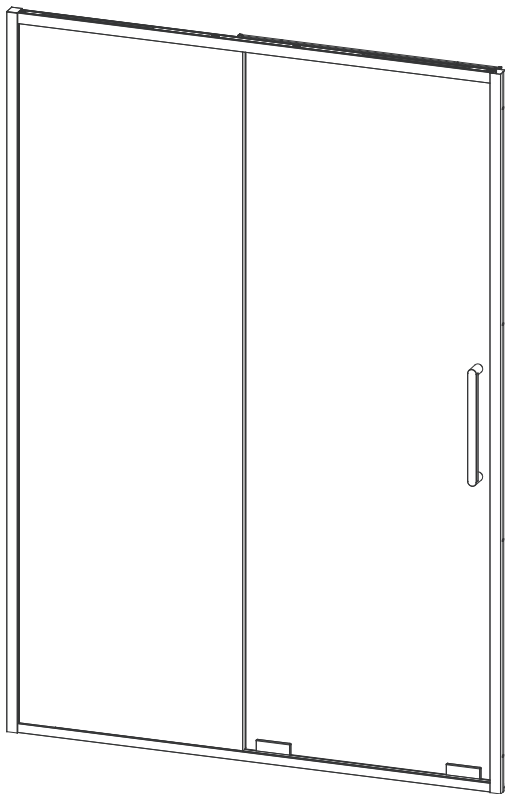
IMPORTANT

BEFORE STARTING THE INSTALLATION ENSURE ALL THE DOOR SIZE MEASUREMENTS CORRESPOND WITH THE INSTALLATION AREA INCLUDING THE FINISHED TILED/PANELLED WALLS. RETURNS DUE TO INCORRECT SIZING WILL NOT BE ACCEPTED.

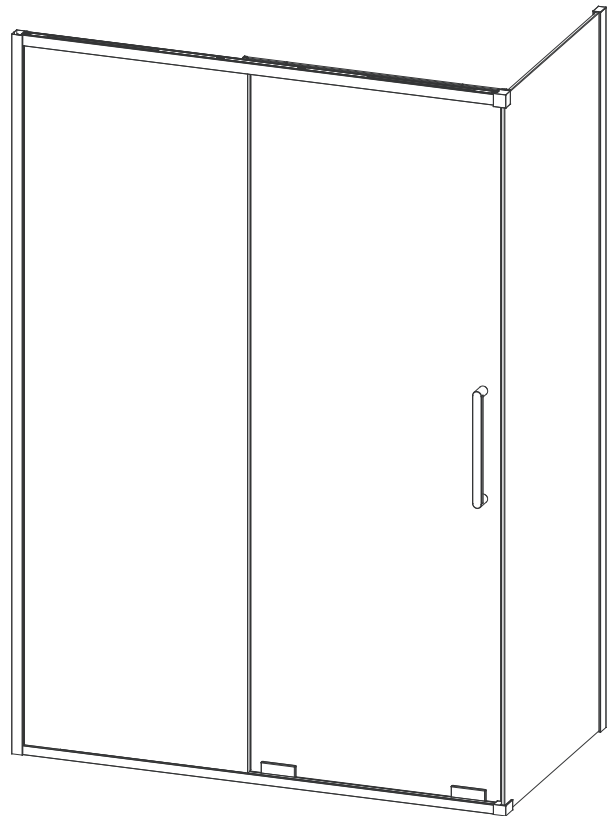


OXSLxC1200 74Kgs
OXSLxC1400 84Kgs
OXSLxC1500 89Kgs
OXSLxC1700 99Kgs

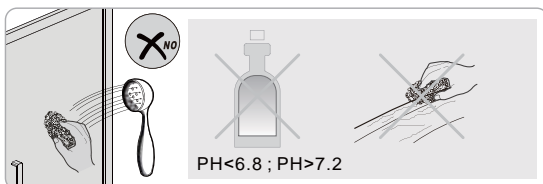
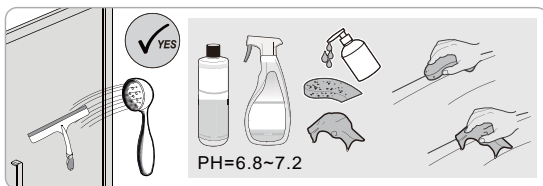
OXSLSPxC0800 44Kgs
OXSLSPxC0900 49Kgs



Optix 10 Soft Close Sliding Door



Optix 10 Side Panel for Slider



INSTALLATION INSTRUCTIONS

crosswater[®]
SHOWERING

IMPORTANT - Please read before installation

Please read these instructions carefully before starting installation and keep in a safe place for future reference.

Check the contents of the pack carefully before installation. Crosswater will not be held responsible for any de-fit / re-fit costs where faulty product has been fitted.

If any fault is found with materials or workmanship, it must be reported immediately to the manufacturer. Remedial action will be taken, based on information received, on condition that:

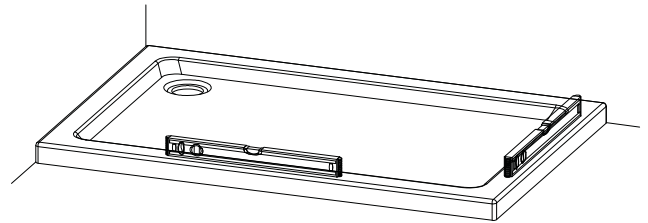
1. Full details are supplied to the manufacturer;
2. The enclosure has not been modified or tampered with;
3. The manufacturer is informed of any damage/shortages prior to installation.

We do not accept responsibility for any problems that may occur through incorrect installation.

The success of the installation and operation of any shower enclosure is, of course, dependant on the squareness, alignment and construction of the walls to which fixing is to be carried out.

VERY IMPORTANT

You must complete all tiling and grouting, and the shower tray **MUST** be level and fully sealed to the tiles before installation. If you do not fit the enclosure onto a tiled surface, or seal the tiles to the tray before installation, water may soak into the wall behind the wall profiles.



INSTALLATION - Advise and safety

The installation instructions are based on typical use and conditions.

All doors are designed to open outwards only.

These hints have been prepared for your guidance, you must exercise due care at all times.

For Health and Safety 2 people must carry out the installation of this enclosure.

Handle glass with care. Although the glass supplied is toughened safety glass (**EN12150**), impacts can damage both the glass and the frame.

Warning!

Please check for any hidden pipes or cables before drilling holes in the wall.

When using power tools always follow the manufacturers user instructions.

If the Framework is sealed to the tray on the inside, any water that may get into the framework will not be able to drain back into the tray, this may cause the enclosure to leak.

Leave the silicone sealant to dry for 24 hours before using the enclosure.

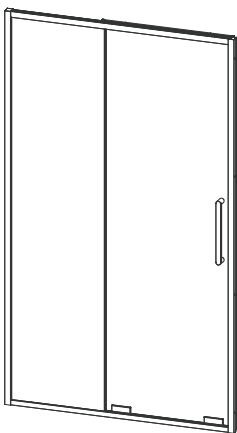
CARE AND CLEANING

Do not use solvents or abrasive material or chemicals to clean the enclosure.

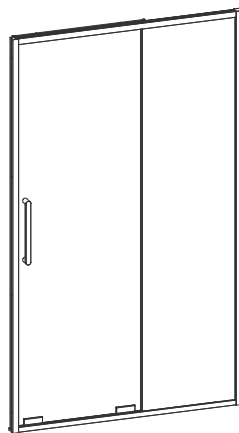
Only clean using soapy water and soft cloth, rinse thoroughly afterwards.

INSTALLATION - Left and Right hand

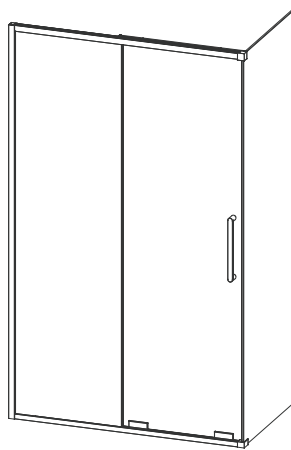
This product is reversible for left or right hand opening. Please follow the diagram, and detail below for your choice of installation.



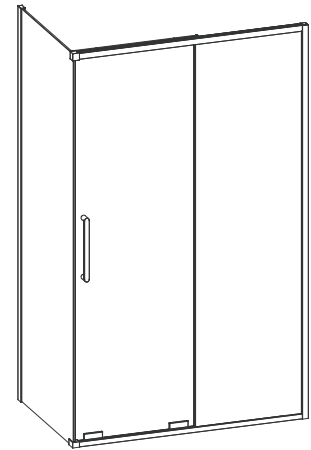
LH



RH

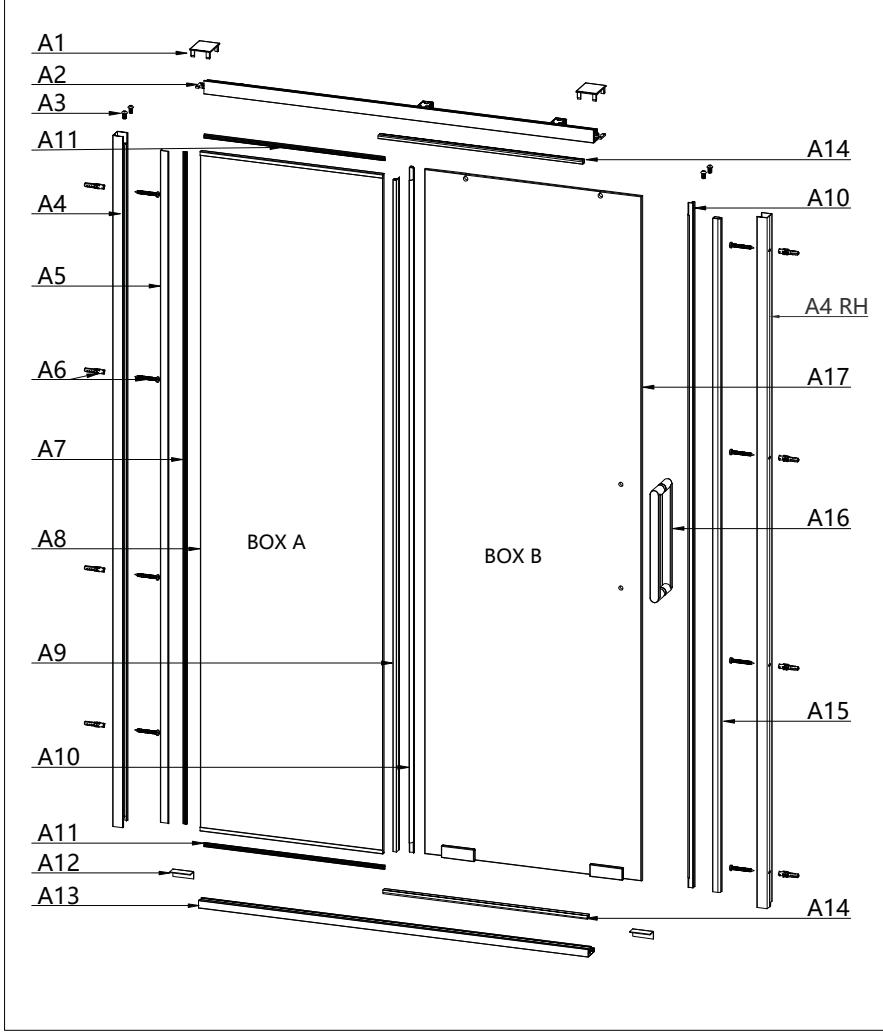


LH

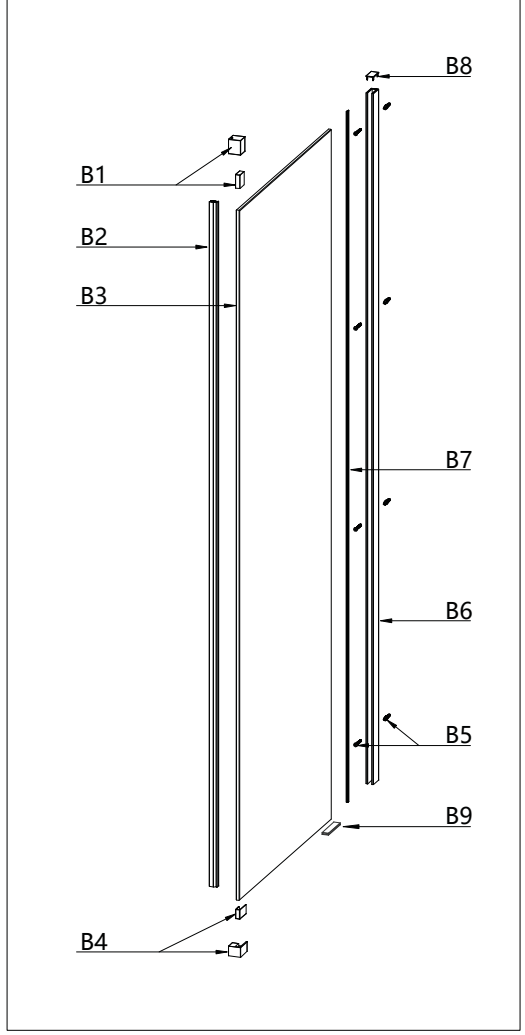


RH

Optix 10 Soft Close Sliding Door



Optix 10 Side Panel for Slider



A 1 Wall profile cover cap x2

A 8 Fixed panel assembly x1

A 15 Closing side wall profile cover x1

B 1 Top rail connector 1L+1R+2

A 2 Top rail assembly x1

A 9 Fixed panel water seal x1

A 16 Handle x1

B 2 Moving panel seal x1

A 3 Round head hex screw M4*10 x4

A 10 Moving panel seal L R 1+1

A 17 Moving panel x1

B 3 Side panel x1

A 4 Wall profiles L R 1L+1R

A 11 Fixed panel top and bottom seals x2

A 18 Allen Key 4mm 3mm 2.5mm

B 4 Bottom rail connector 1L+1R+1L+1R

A 5 Long seal for fixed panel x1

A 12 Bottom rail end cap x2

A 19 Wedge gasket tool x1

B 5 Wall plug and 4x35mm screw x4

A 6 Wall plug and 4x35mm screw 8+8

A 13 Bottom rail x1

B 9 PVC spacer x4

B 6 Wall profile x1

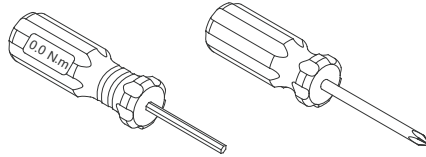
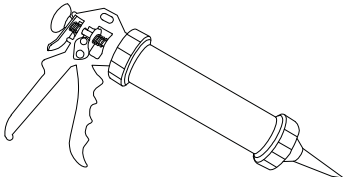
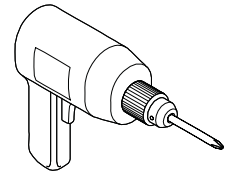
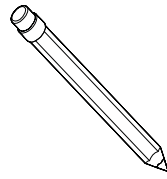
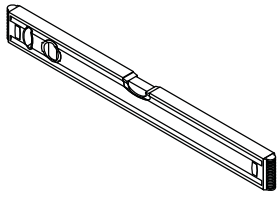
A 7 Wall profile seal x1

A 14 Top & bottom profile trim x2

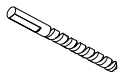
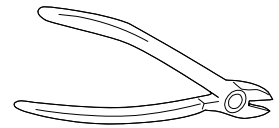
B 8 Wall profile cover cap x1

B 7 Wall profile seal x1

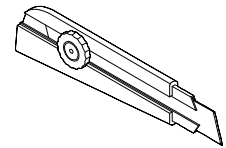
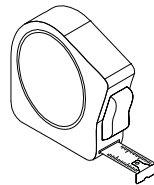
Installation tool



Torque screwdriver



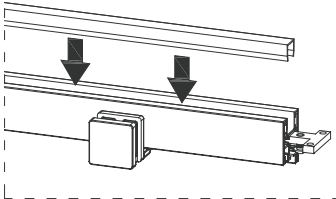
∅ 6.5



Step A1

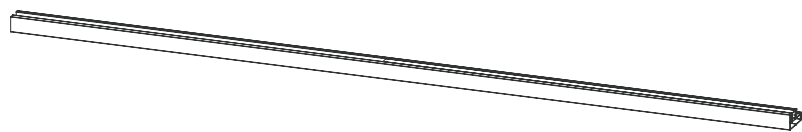
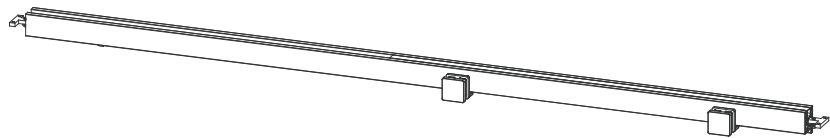
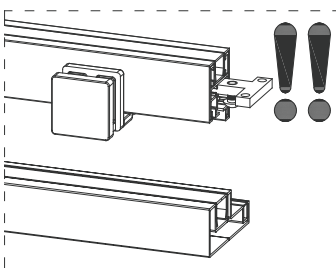
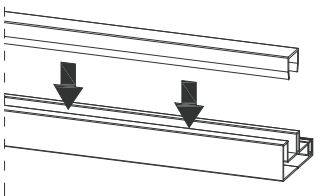
Top

A2 + A14

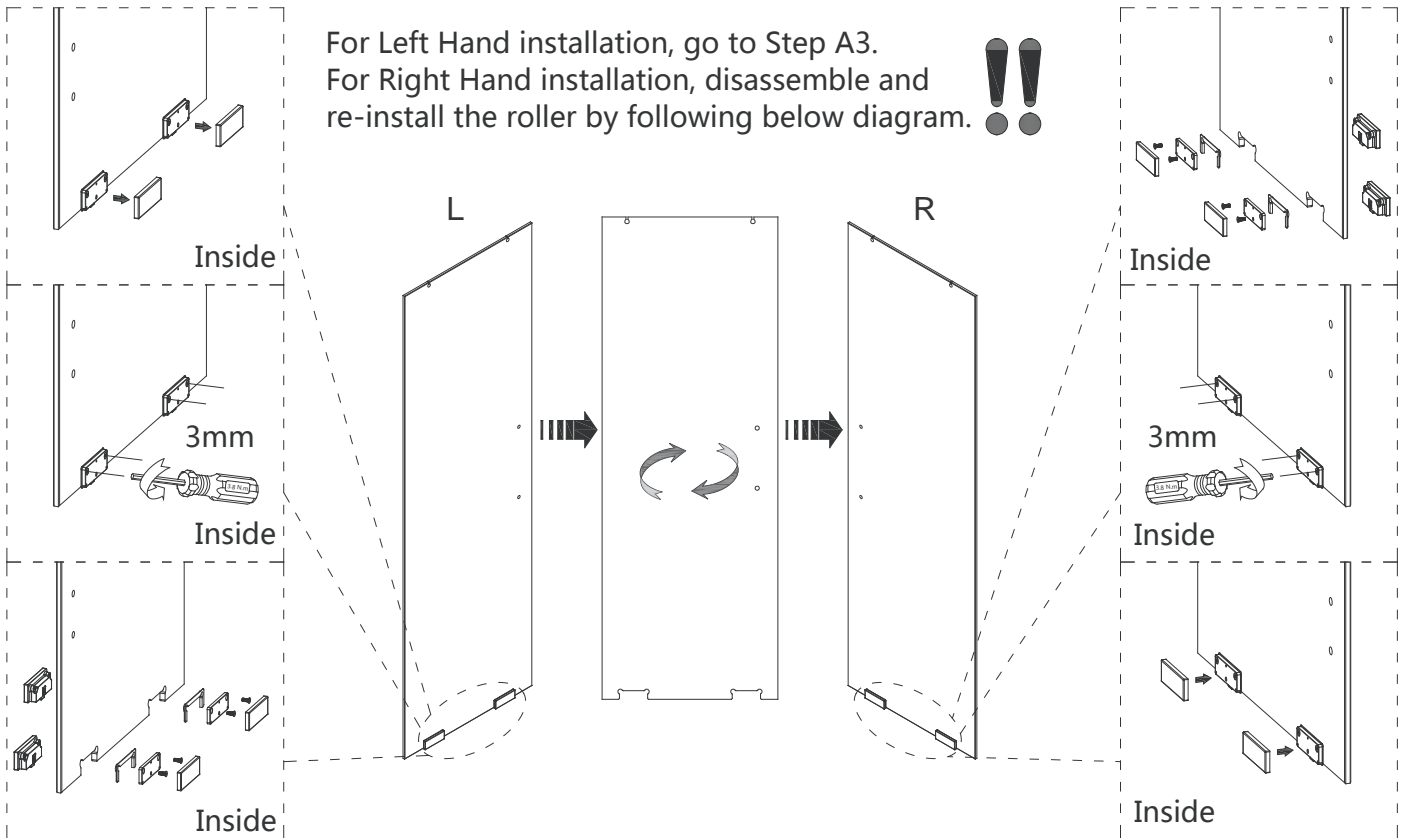


Bottom

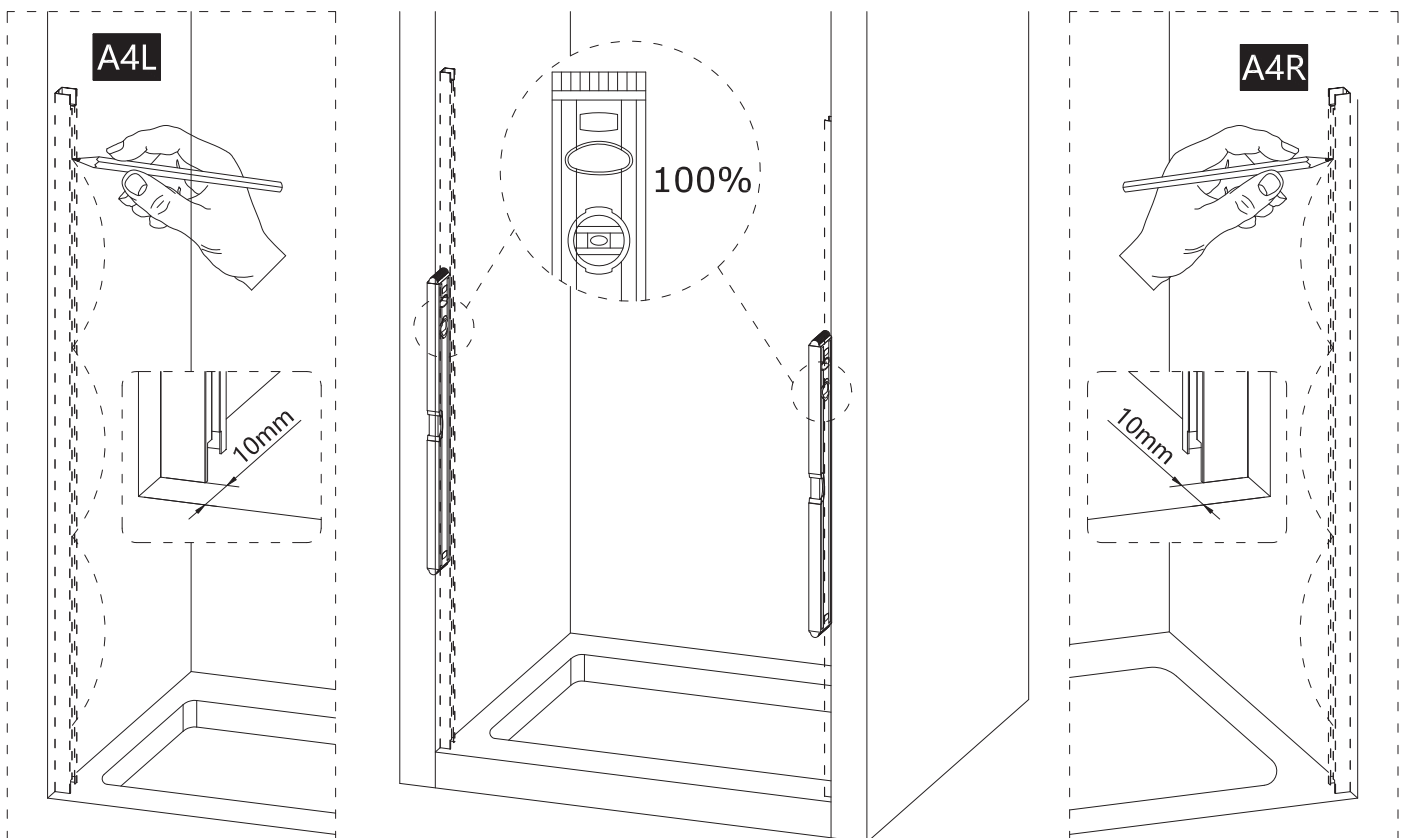
A13 + A14



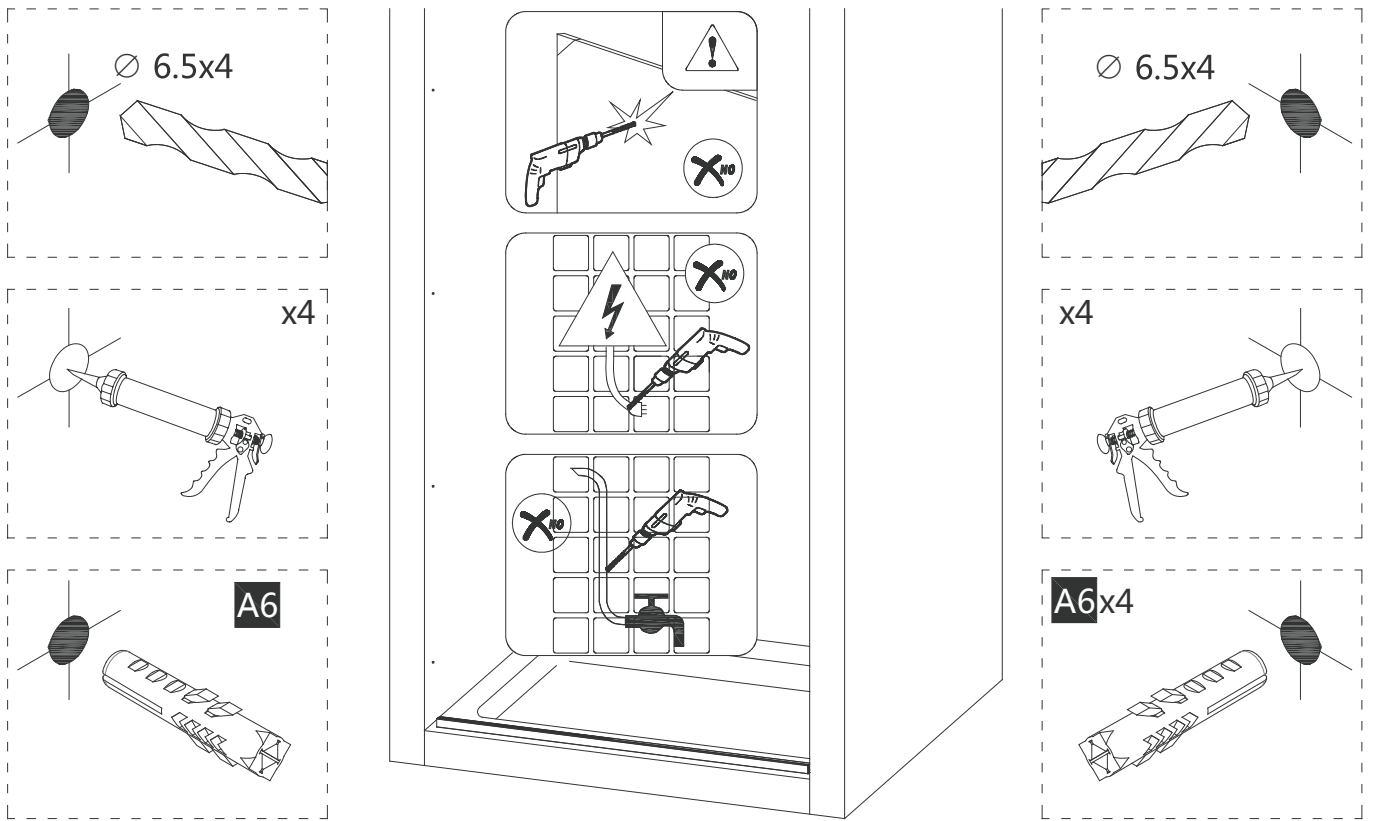
Step A2



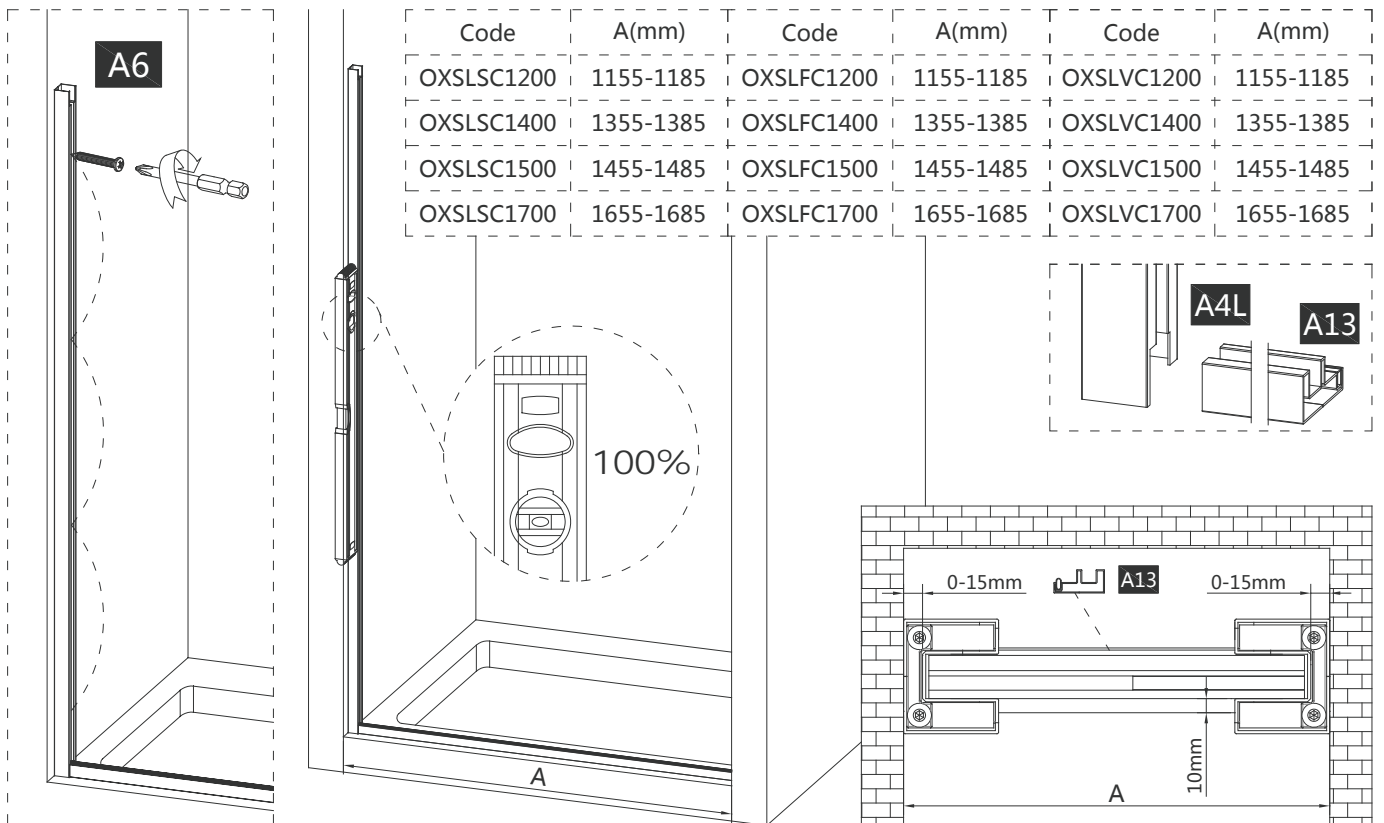
Step A3



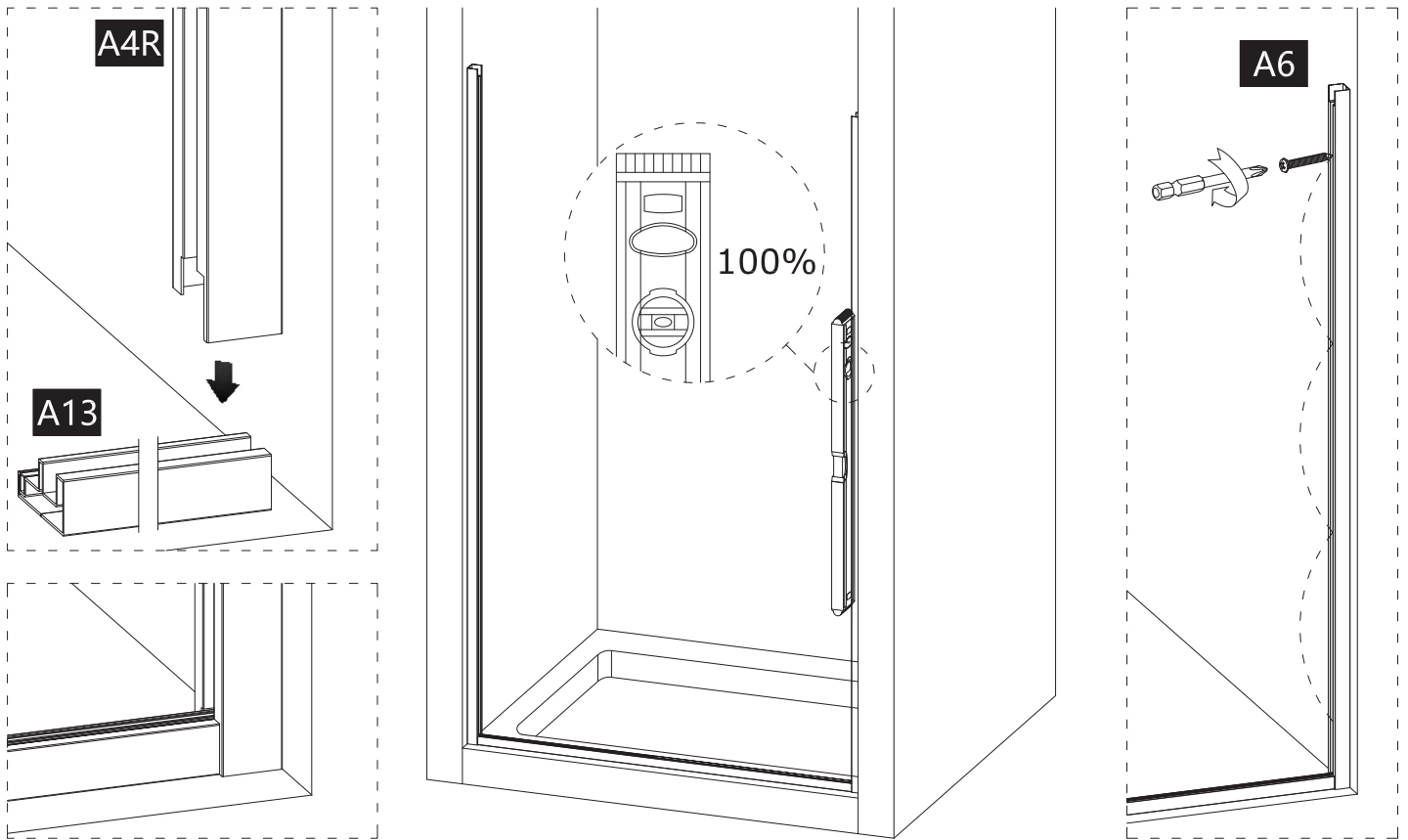
Step A4



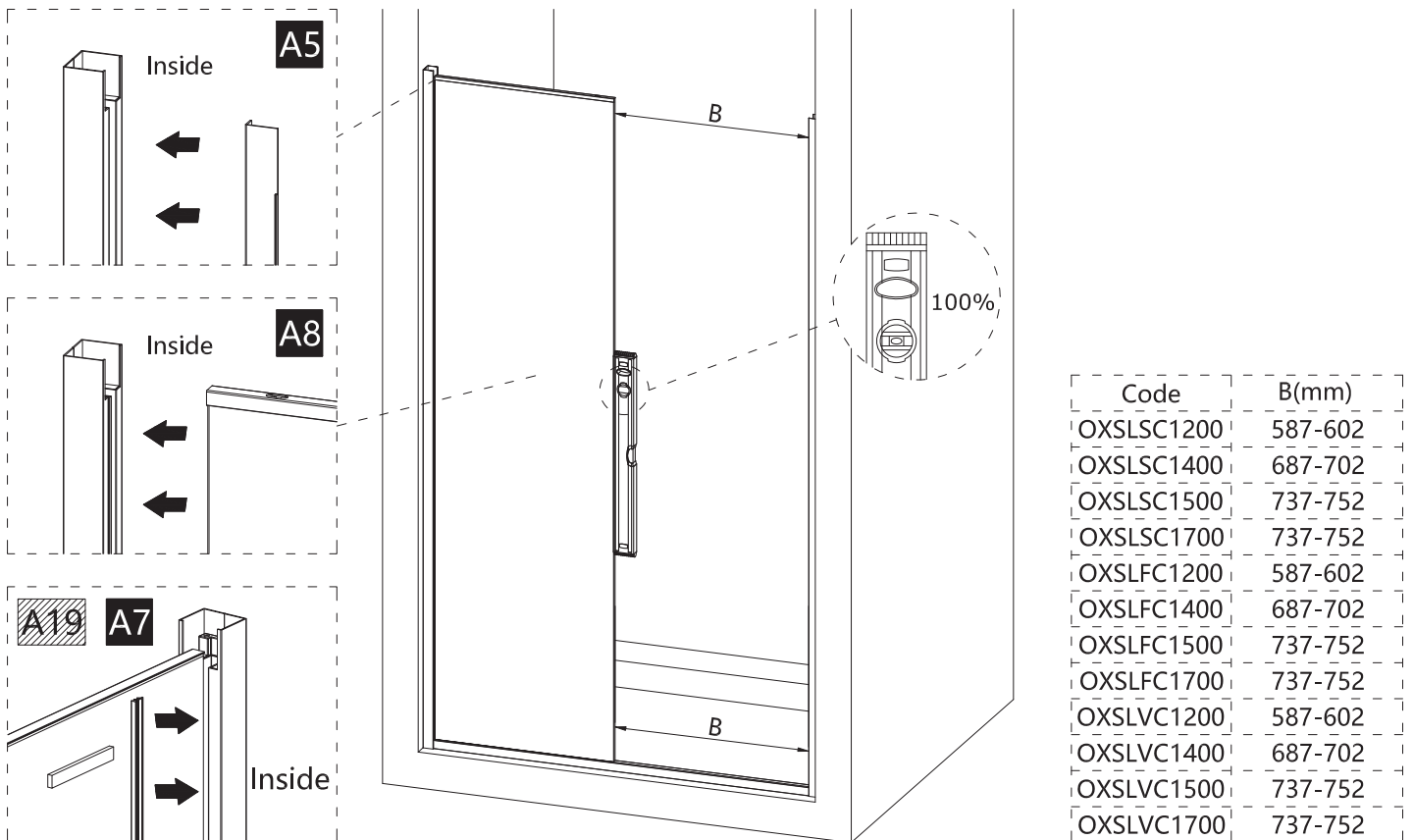
Step A5



Step A6

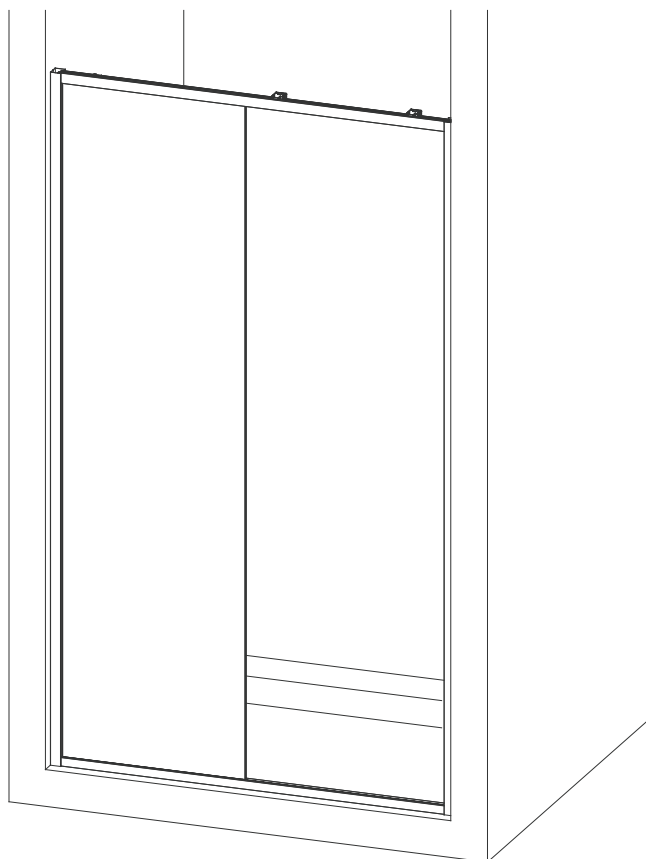
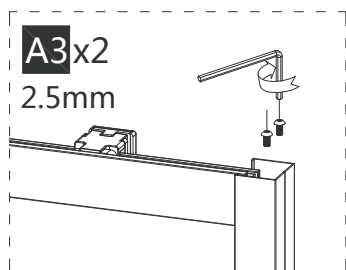
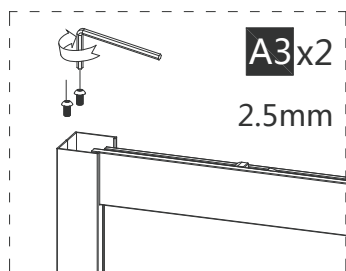
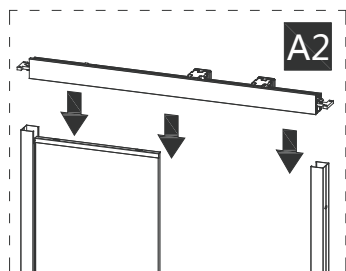


Step A7

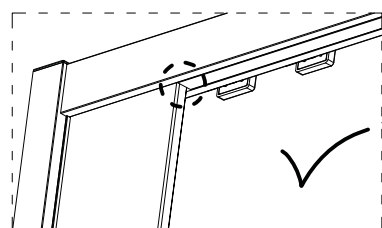
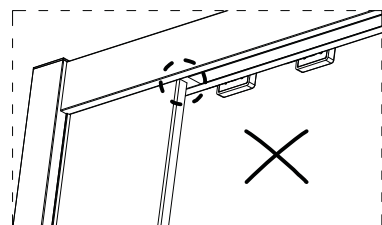


Code	B(mm)
OXSLSC1200	587-602
OXSLSC1400	687-702
OXSLSC1500	737-752
OXSLSC1700	737-752
OXSLFC1200	587-602
OXSLFC1400	687-702
OXSLFC1500	737-752
OXSLFC1700	737-752
OXSLVC1200	587-602
OXSLVC1400	687-702
OXSLVC1500	737-752
OXSLVC1700	737-752

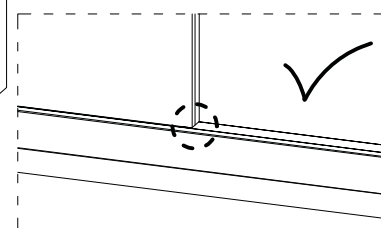
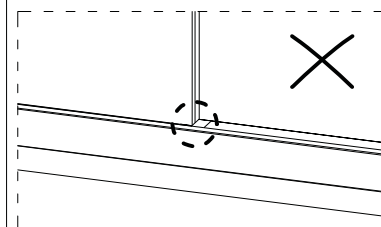
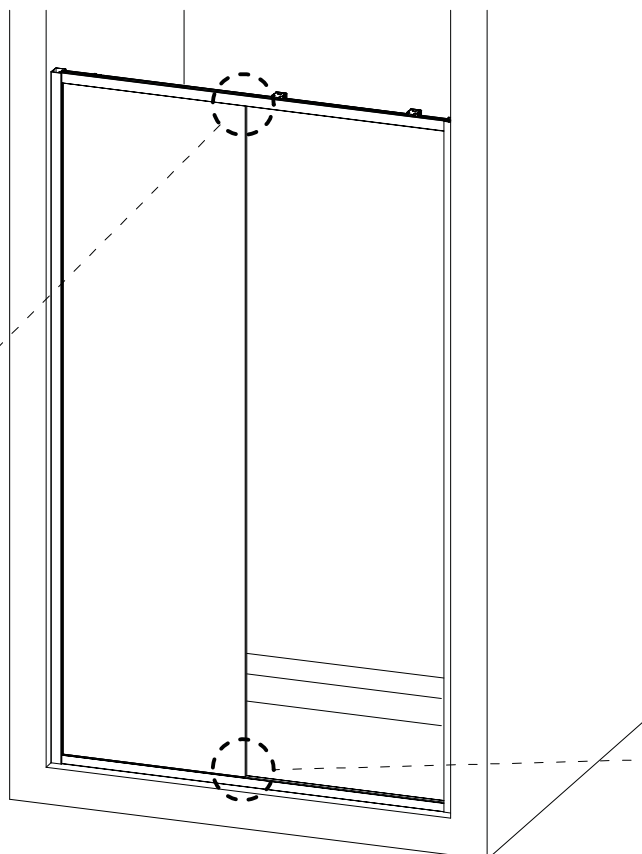
Step A8



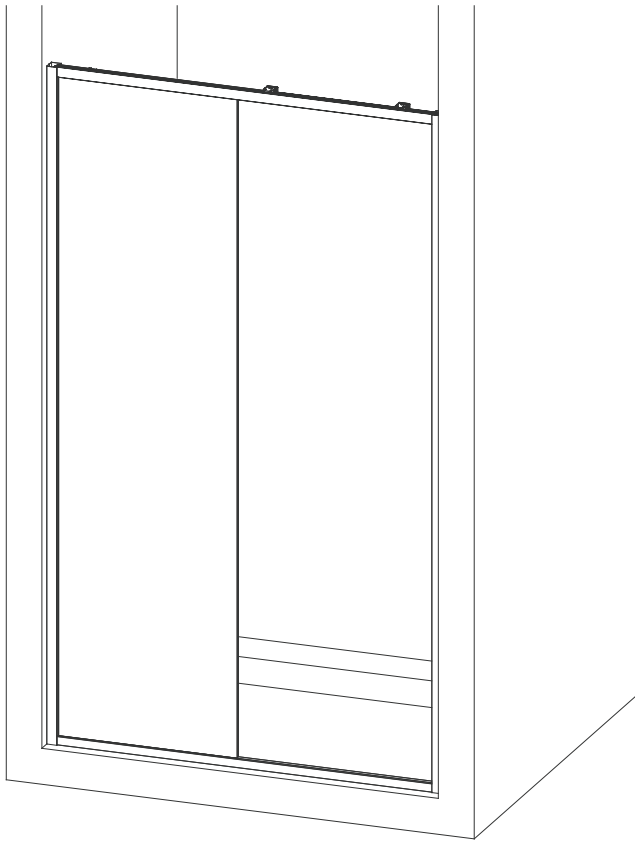
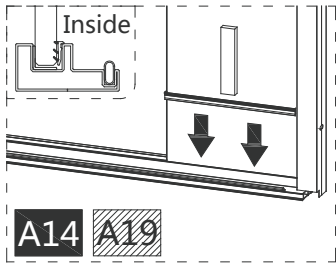
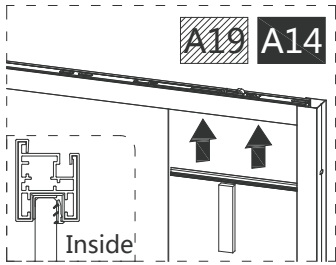
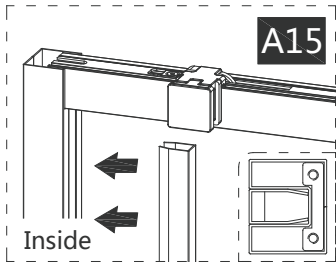
Step A9



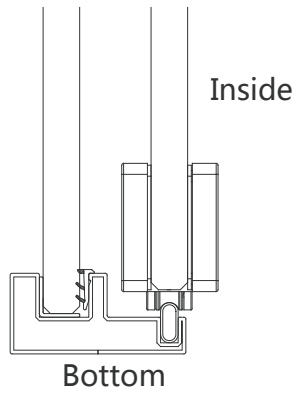
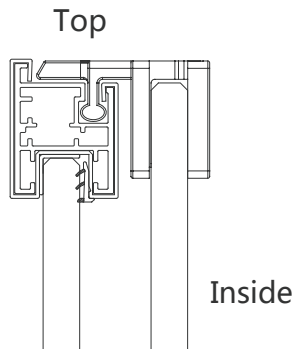
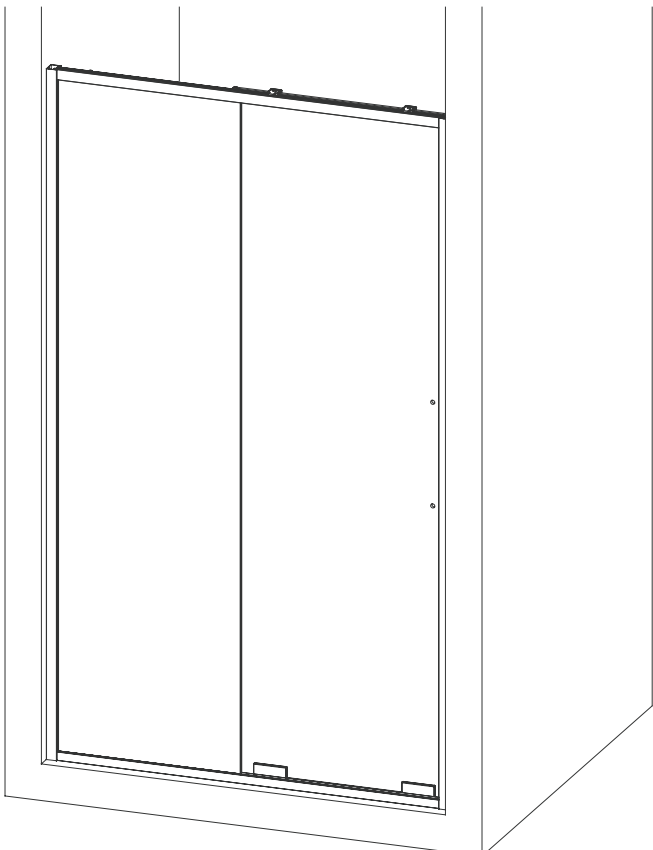
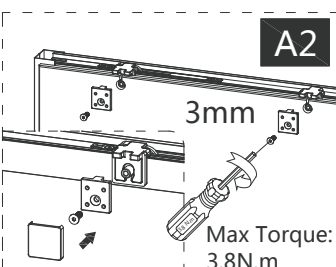
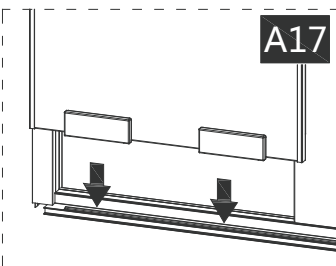
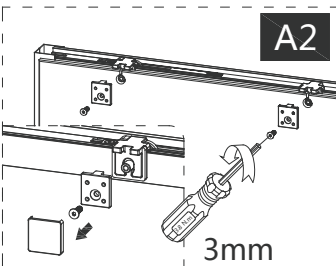
Check if there is gap here and adjust the track cover installation if necessary.



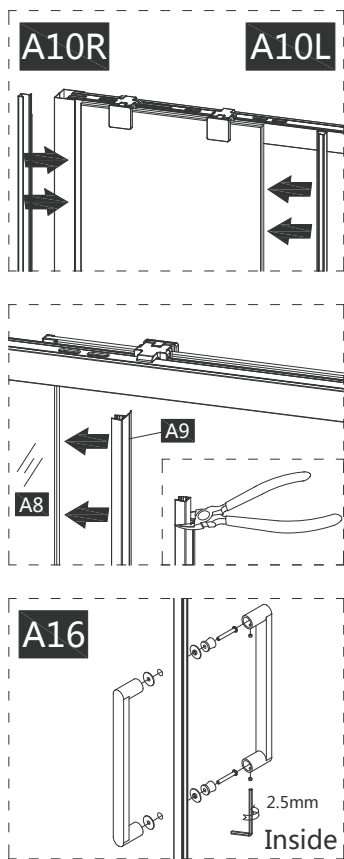
Step A10



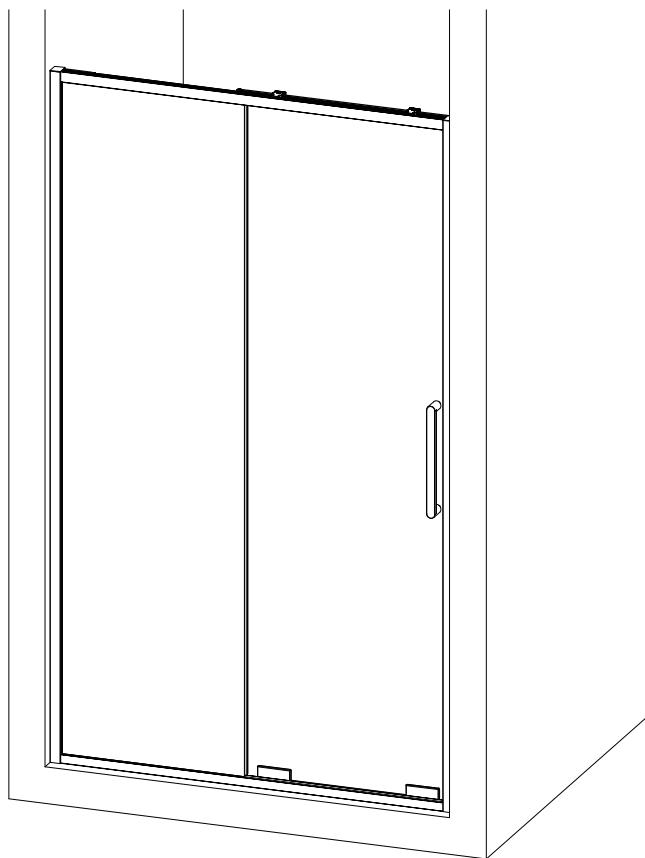
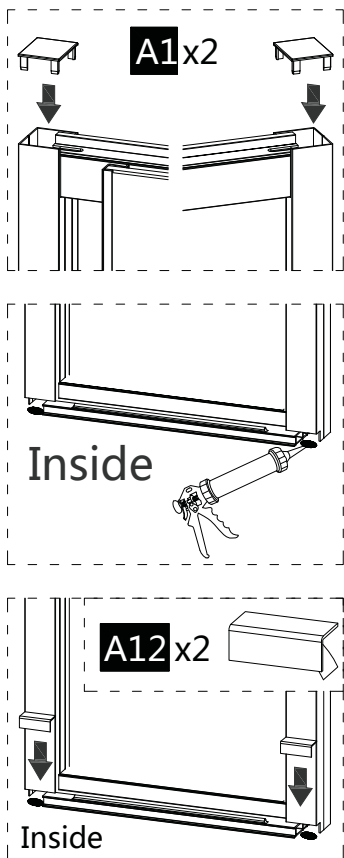
Step A11



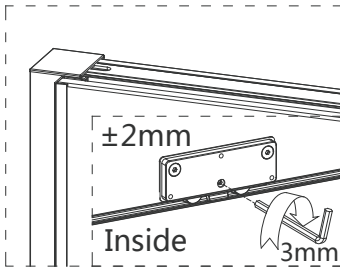
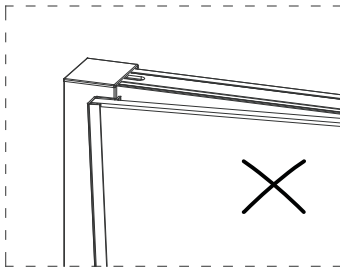
Step A12



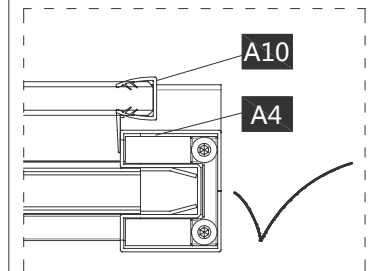
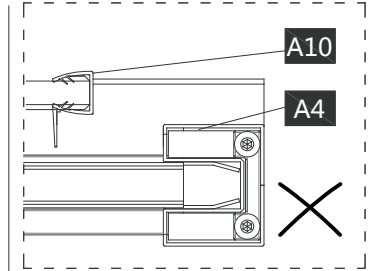
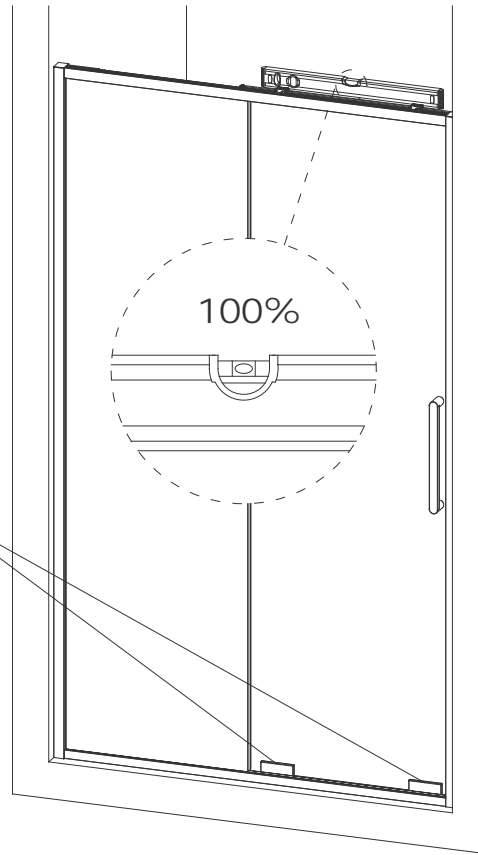
Step A13



Step A14



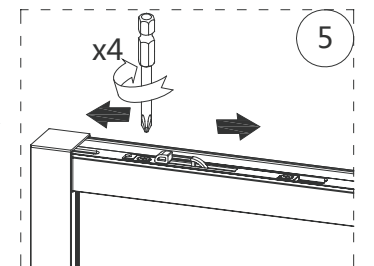
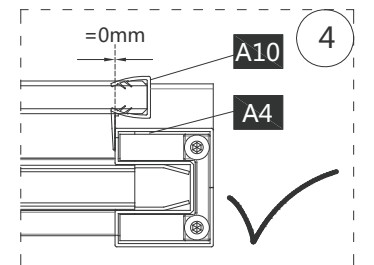
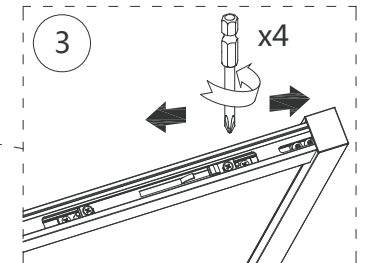
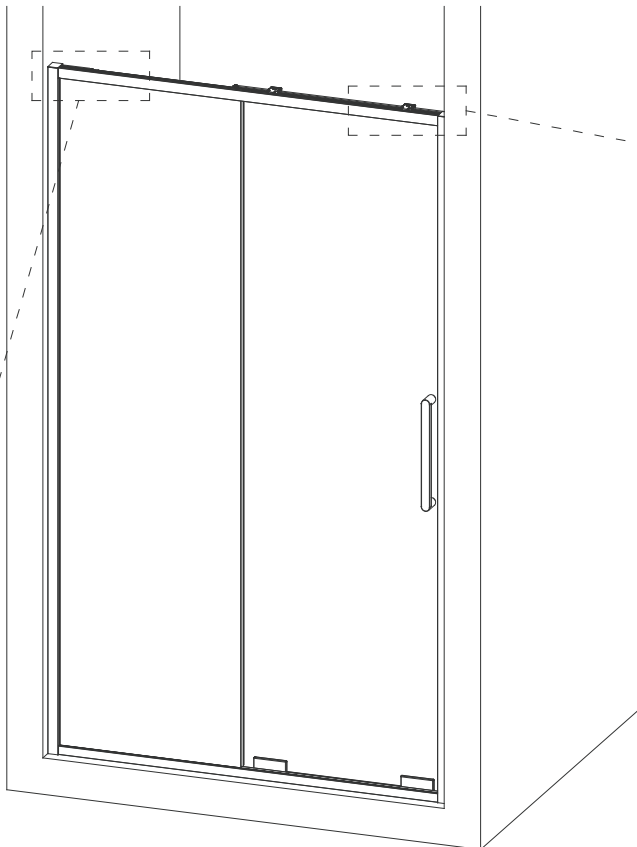
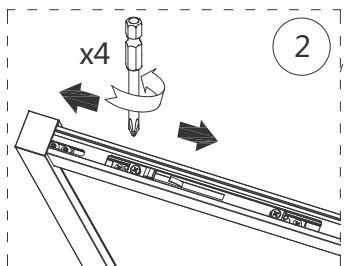
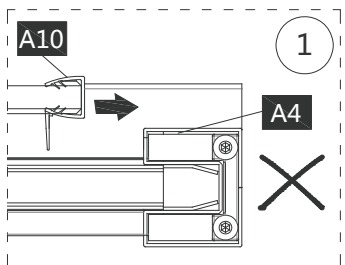
Please check the door opens and closes smoothly and the seal fully engages along its entire length.



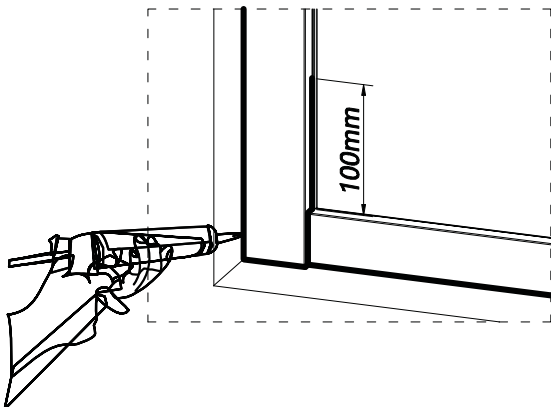
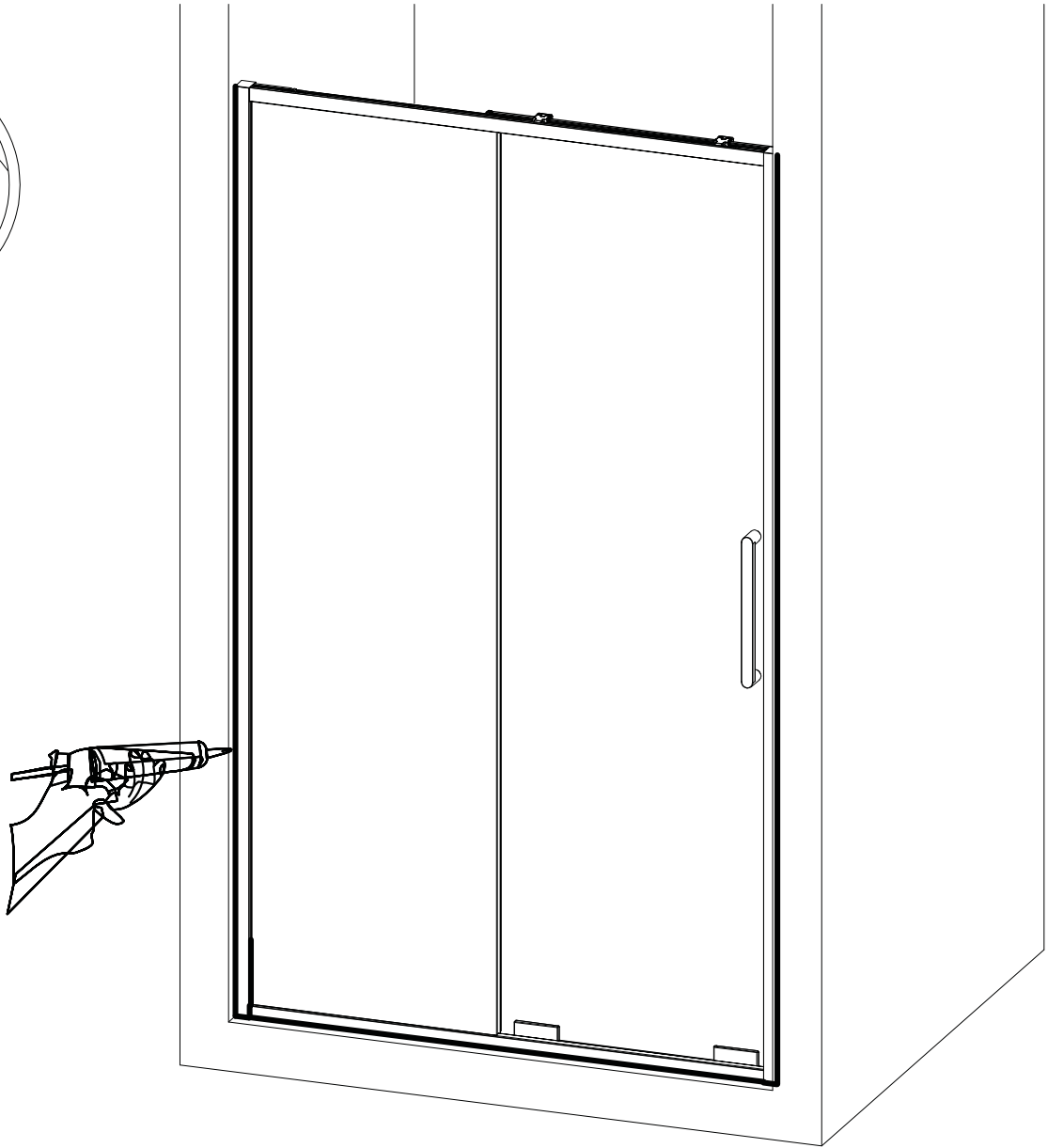
When closing the moving door ensure the long seal to wall profile fully engages along the full height.

Step A15

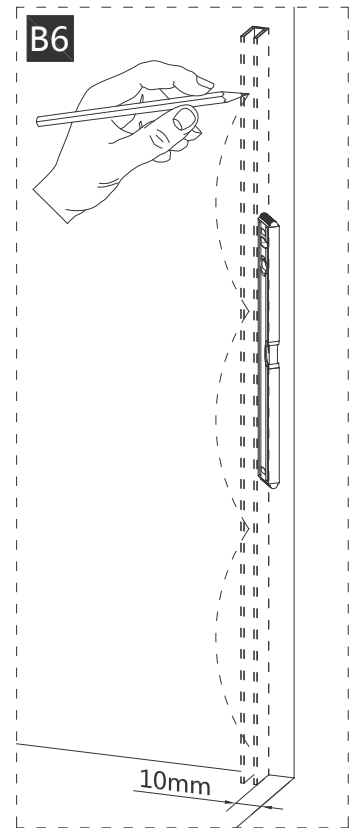
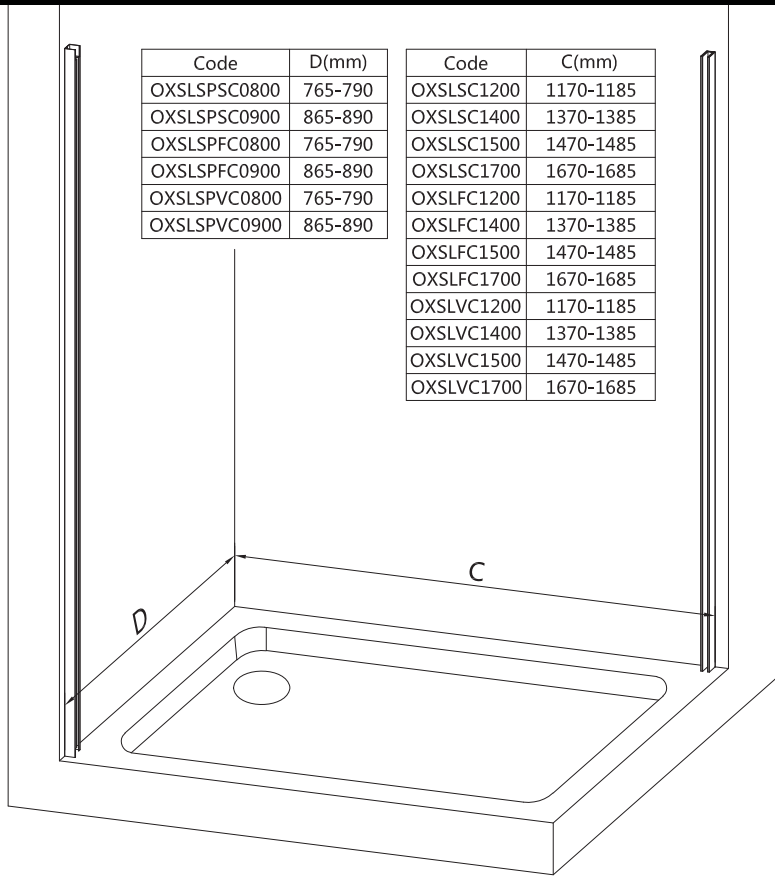
If adjustment of the door opening and closing is required. Loosen all 4 screws as shown. Manually open and close the door and ensure the seal closes correctly on both sides as step 3, repeat and check. Tighten all 4 screws as shown.



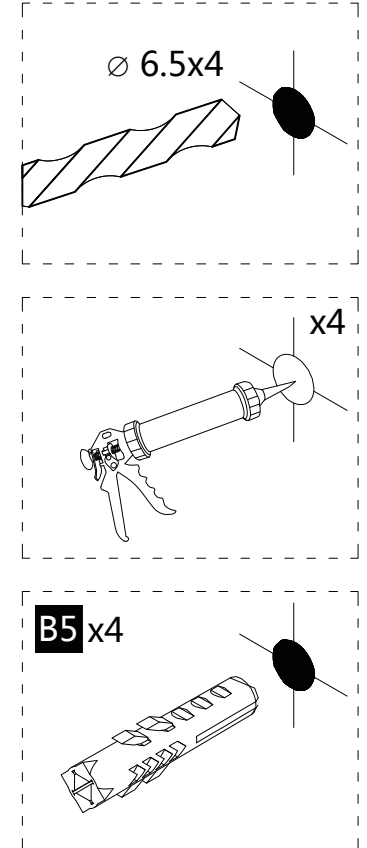
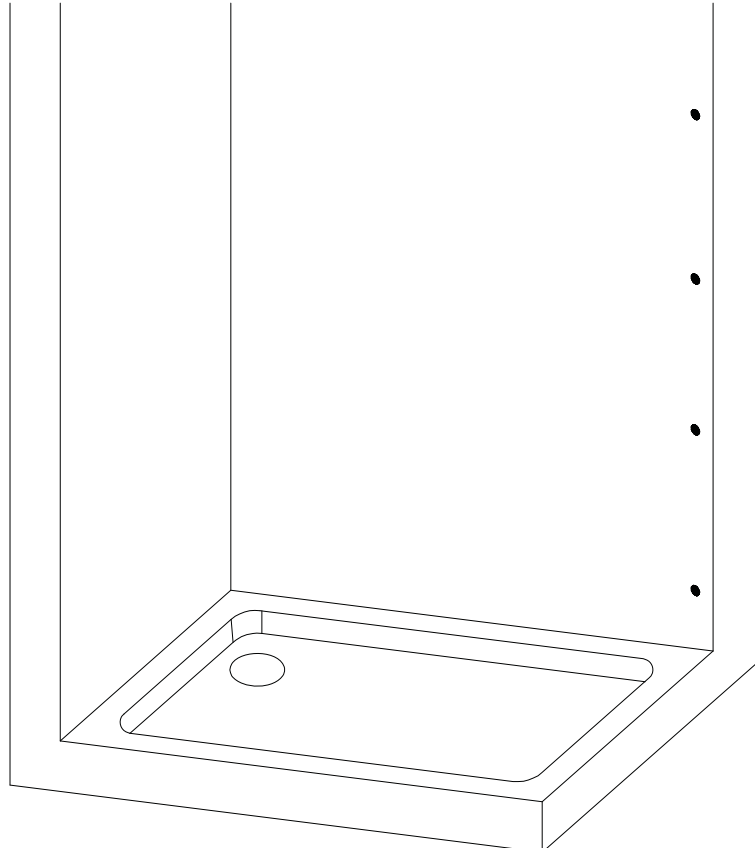
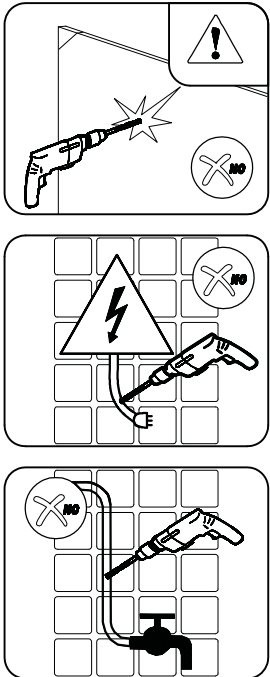
Step A16



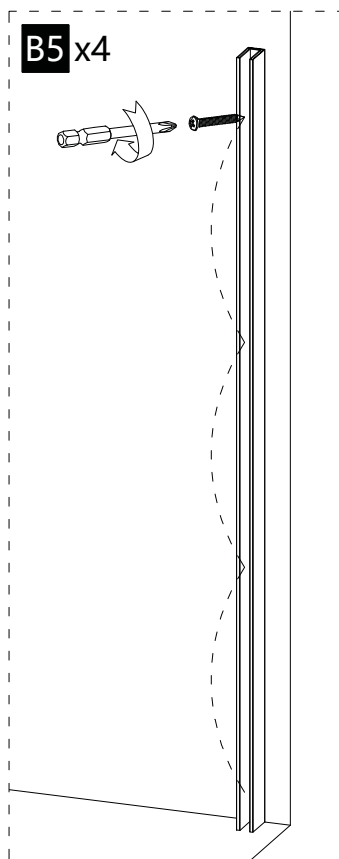
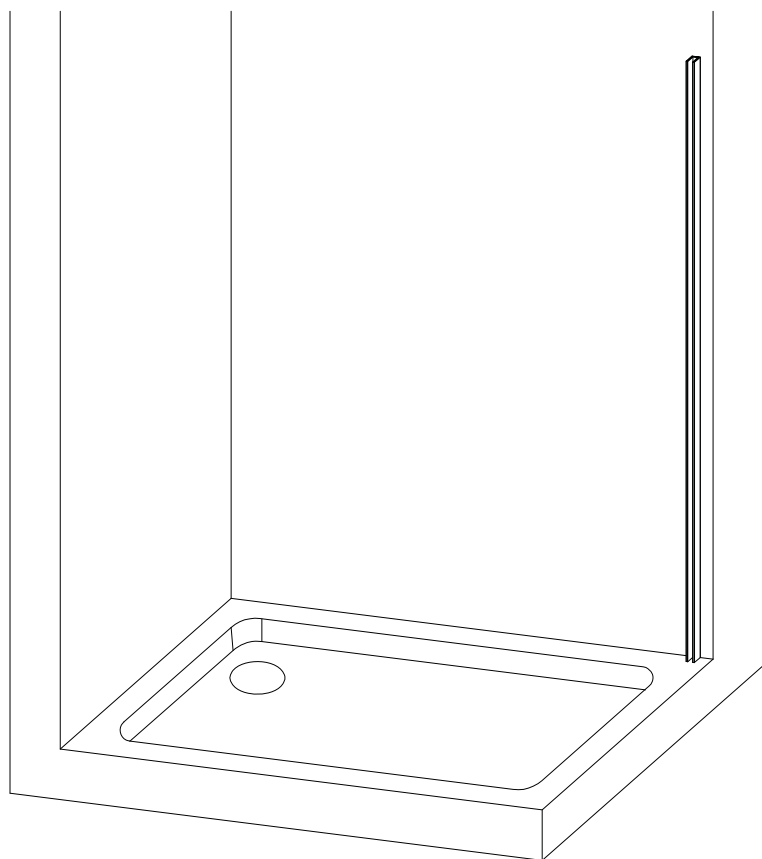
Step B1



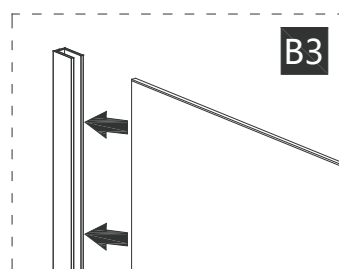
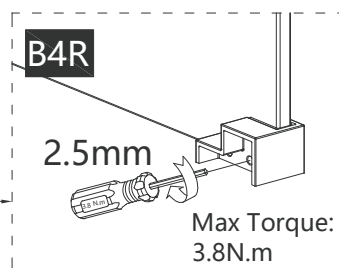
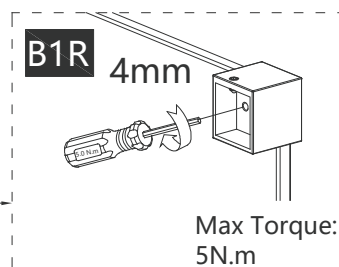
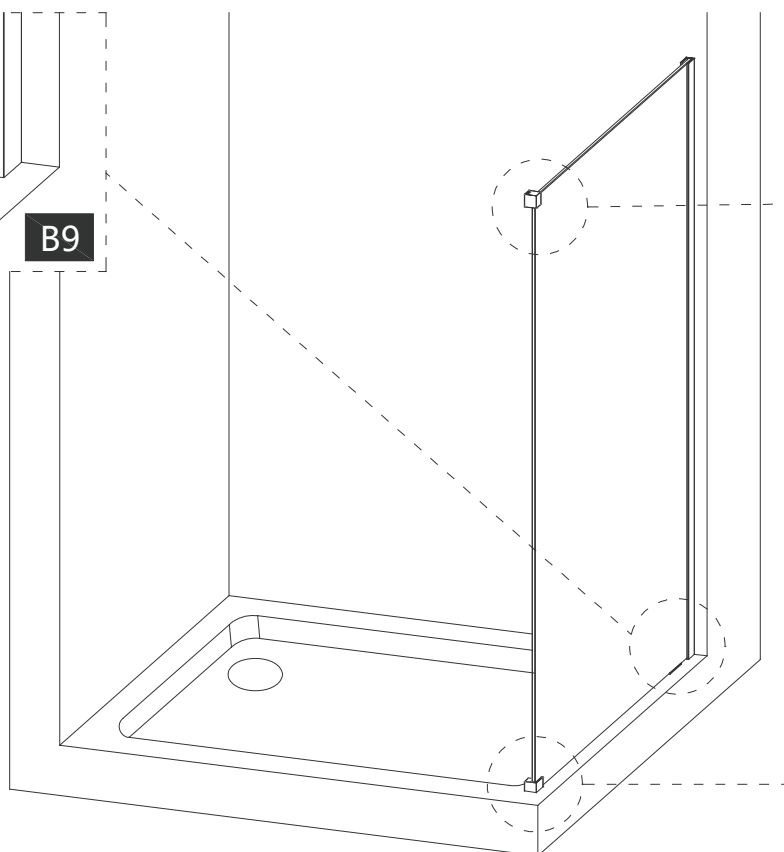
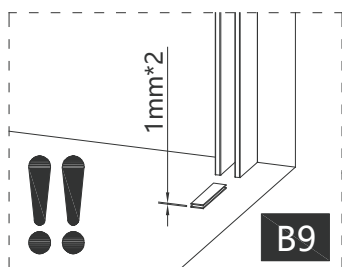
Step B2



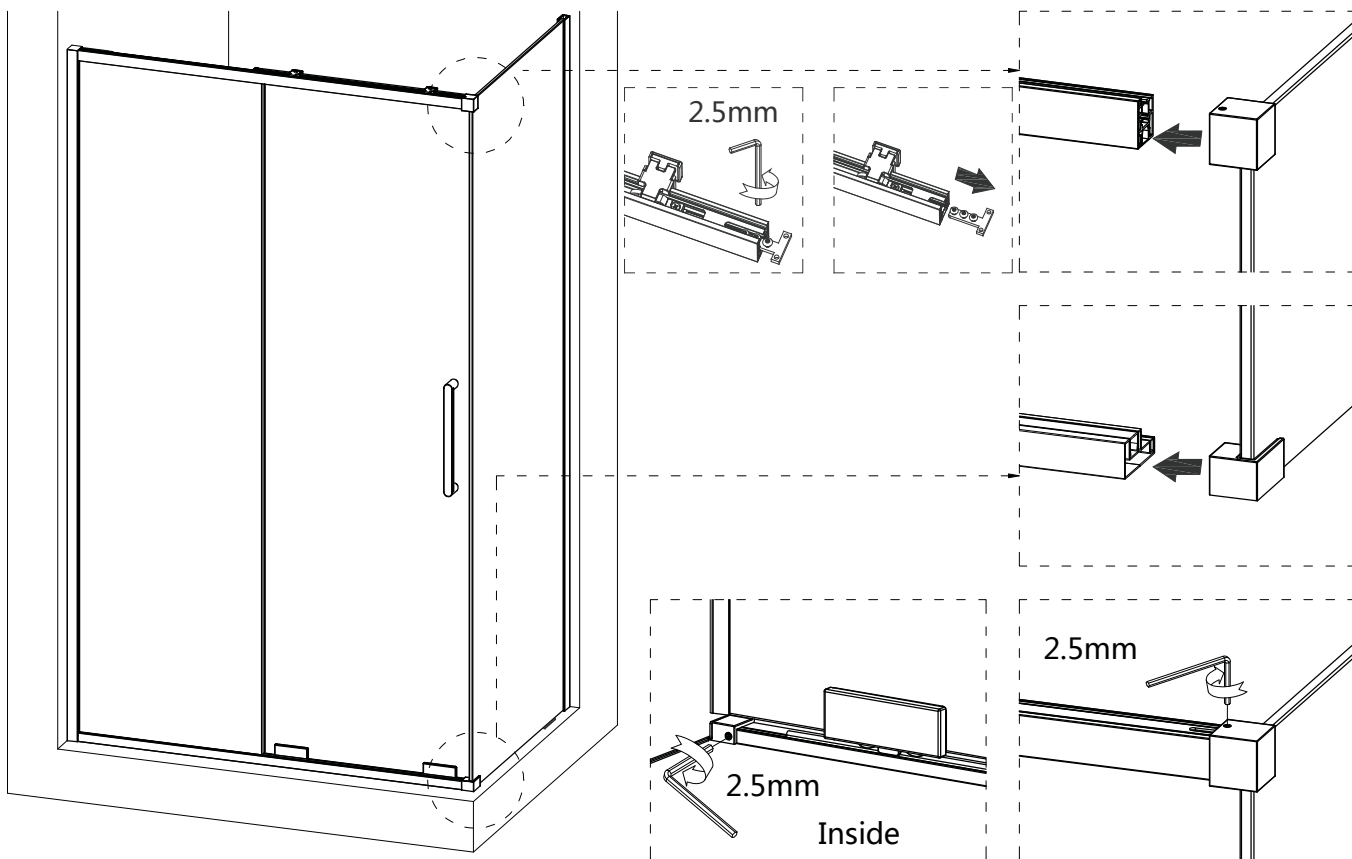
Step B3



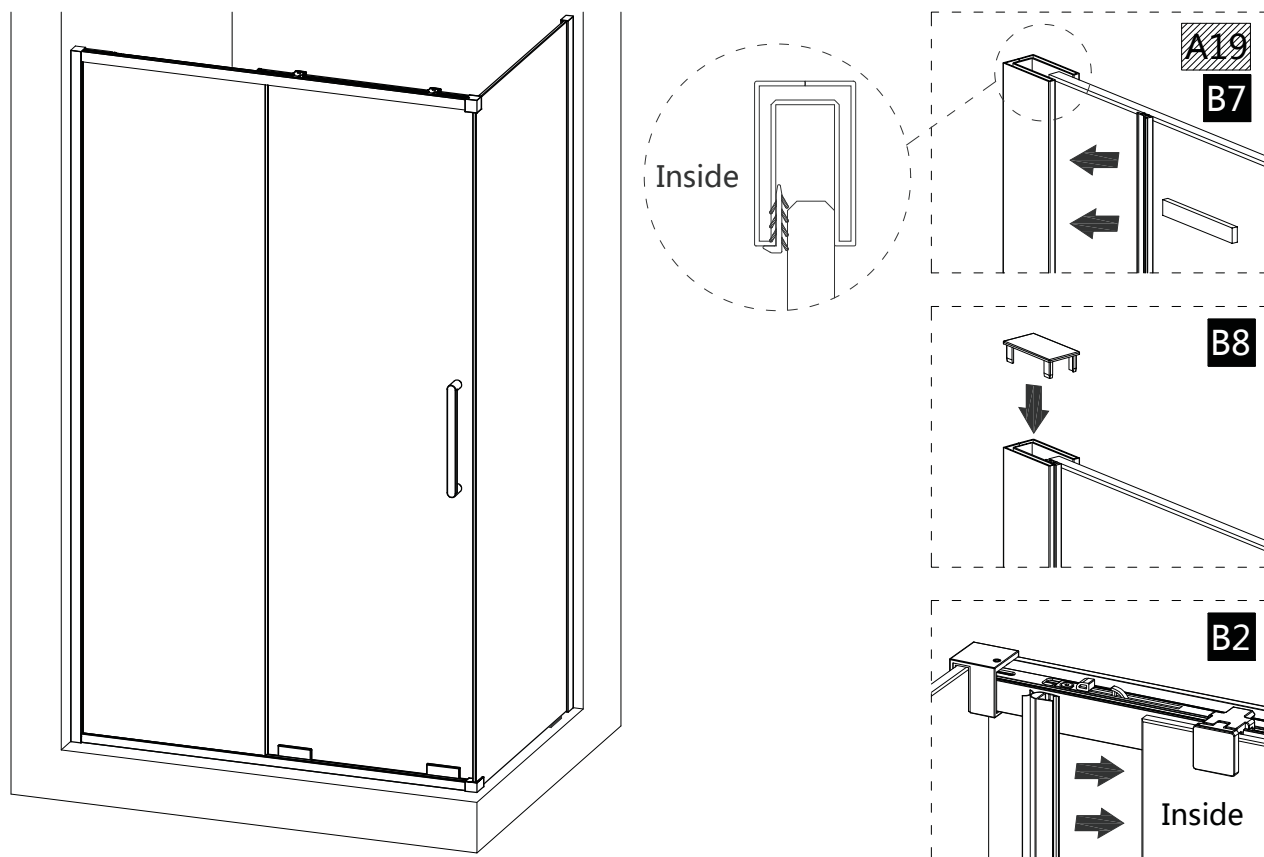
Step B4



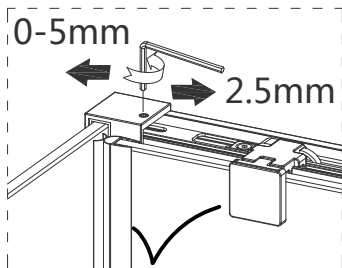
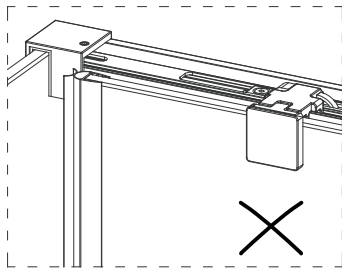
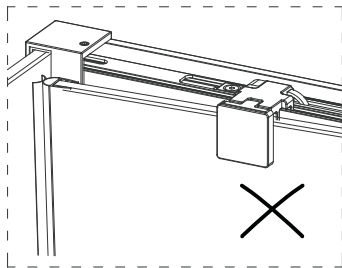
Step B5



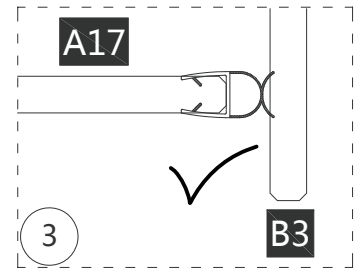
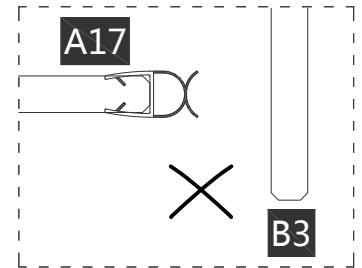
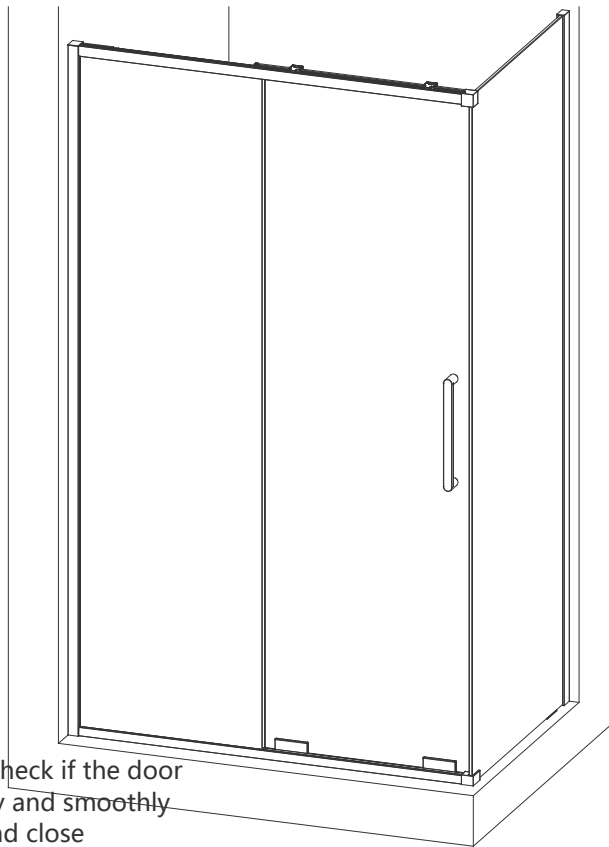
Step B6



Step B7



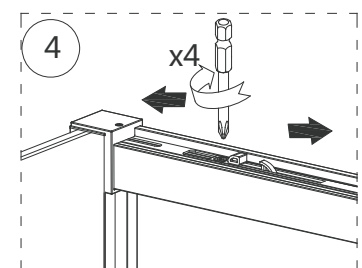
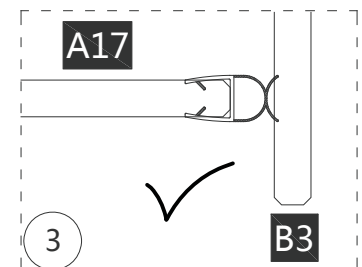
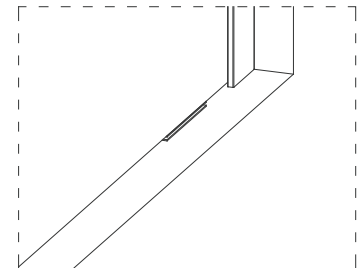
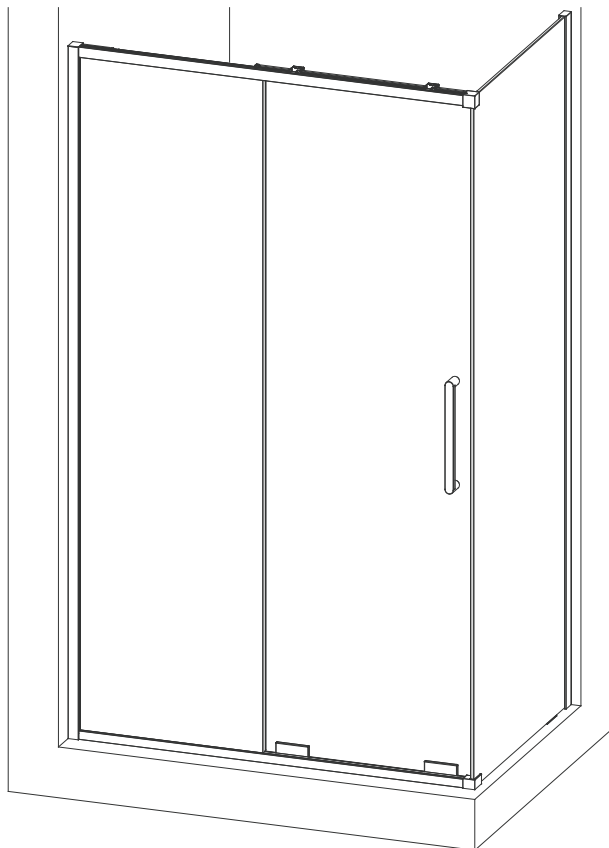
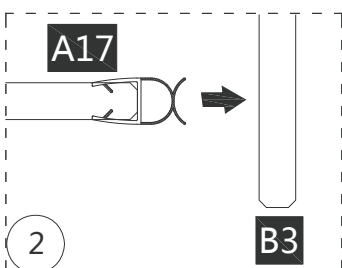
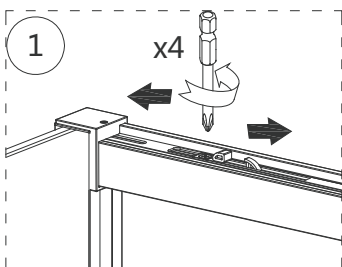
Please check if the door can fully and smoothly open and close



When closing the moving door ensure the long seal to side panel fully engages along the full height.

Step B8

If adjustment is needed, please loosen all screws of the soft close mechanism, then manually close the door and adjust the soft close mechanism to proper position, and then re-tighten the screws.



Step B9

