

PRODUCT DATA SHEET



PRODUCT CODE

AUIDBC1000

RANGE

Asura

DESCRIPTION

Asura 8mm Infold Door 1000 Matt Black

WEBSITE LINK

[Click Here](#)

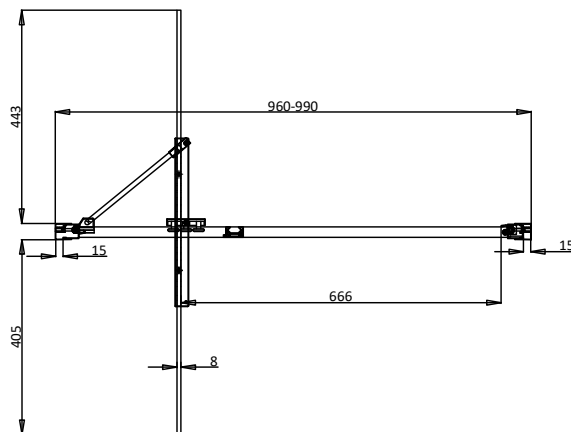
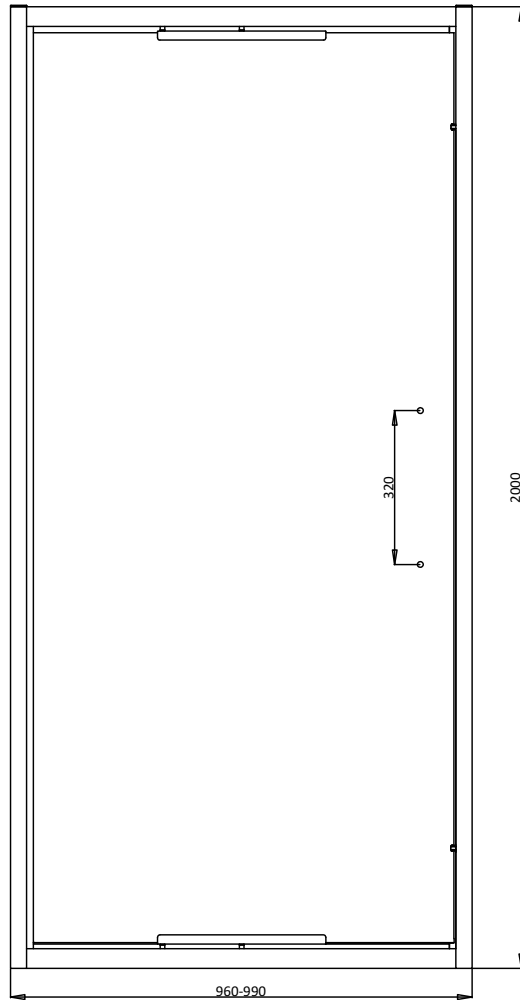
| | |
|-----------------------|---------------------|
| CATEGORY | Showering |
| WARRANTY DETAILS | Lifetime |
| COLOUR | Matt Black |
| FINISH APPLICATION | Powder Coated |
| PRIMARY MATERIAL | Glass |
| SECONDARY MATERIAL | 304 Stainless Steel |
| INSTALL TYPE | Wall Mounted |
| PRODUCT WIDTH MM | 960 |
| PRODUCT HEIGHT MM | 2000 |
| PRODUCT DEPTH MM | 8 |
| PRODUCT NET WEIGHT KG | 47 |

| | |
|----------------------|-------------|
| STANDARDS | EN14428 |
| HANDING SHOWERING | Universal |
| GLASS THICKNESS | 8mm |
| EASY CLEAN | Yes |
| MAGNETIC DOOR STRIPS | No |
| NUMBER OF DOORS | 1 |
| SOFT CLOSING DOORS | No |
| SAFETY GLASS | Yes |
| REMOVABLE SEALS | Yes |
| WET ROOM COMPATIBLE | Yes |
| DOOR A INFORMATION | Infold door |
| DOOR OPENING | 666 |

TECHNICAL DIMENSIONS

Dimensions in mm unless otherwise specified.

Tolerances (per material type) apply.



SPARES LIST

Only the parts labelled are available as spares.

| NUMBER | PART CODE | DESCRIPTION |
|--------|-----------|---|
| 1 | AU00030 | Asura Infold Door 1000 Bottom seal |
| 2 | AU00029B | Asura Infold Door Profile seal black and Transparent |
| | AU00029BZ | Asura Infold Door Profile seal Bronze and Transparent |
| | AU00010 | Asura Infold Door Profile seal |
| 3 | AU00019 | Asura Infold Door Blister pack |