

# PRODUCT DATA SHEET



## PRODUCT CODE

AUIDTC1000

## RANGE

Asura

## DESCRIPTION

Asura 8mm Infold Door 1000 Slate

## WEBSITE LINK

[Click Here](#)

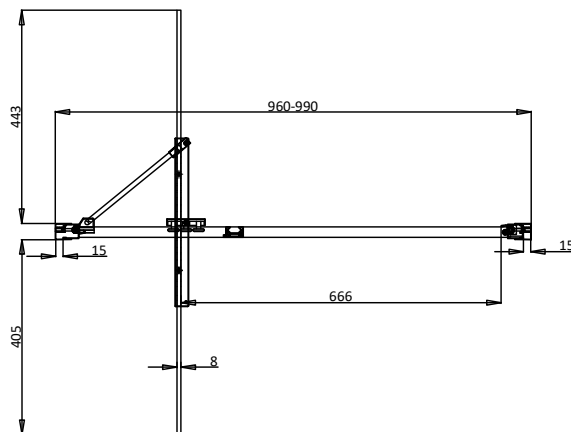
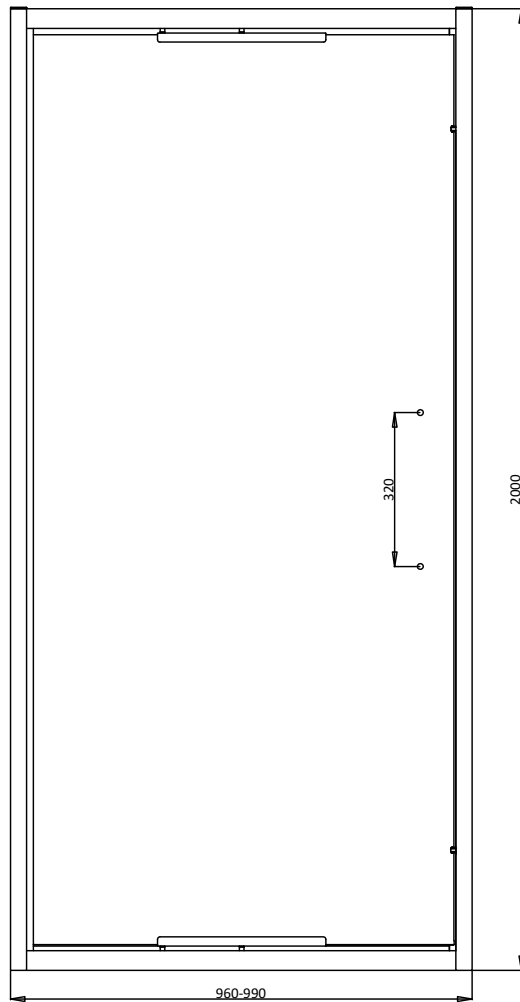
CATEGORY	Showering
WARRANTY DETAILS	Lifetime
COLOUR	Slate
FINISH APPLICATION	PVD
PRIMARY MATERIAL	Glass
SECONDARY MATERIAL	304 Stainless Steel
INSTALL TYPE	Wall Mounted
PRODUCT WIDTH MM	960
PRODUCT HEIGHT MM	2000
PRODUCT DEPTH MM	8
PRODUCT NET WEIGHT KG	47

STANDARDS	EN14428
HANDING SHOWERING	Universal
GLASS THICKNESS	8mm
EASY CLEAN	Yes
MAGNETIC DOOR STRIPS	No
NUMBER OF DOORS	1
SOFT CLOSING DOORS	No
SAFETY GLASS	Yes
REMOVABLE SEALS	Yes
WET ROOM COMPATIBLE	Yes
DOOR A INFORMATION	Infold door
DOOR OPENING	666

## TECHNICAL DIMENSIONS

Dimensions in mm unless otherwise specified.

Tolerances (per material type) apply.



## SPARES LIST

Only the parts labelled are available as spares.

NUMBER	PART CODE	DESCRIPTION
1	AU00030	Asura Infold Door 1000 Bottom seal
2	AU00029B	Asura Infold Door Profile seal black and Transparent
	AU00029BZ	Asura Infold Door Profile seal Bronze and Transparent
	AU00010	Asura Infold Door Profile seal
3	AU00019	Asura Infold Door Blister pack