

PRODUCT DATA SHEET



PRODUCT CODE

BL023F

RANGE

Belgravia

DESCRIPTION

Belgravia Single Towel Rail 600mm
Brushed Brass

WEBSITE LINK

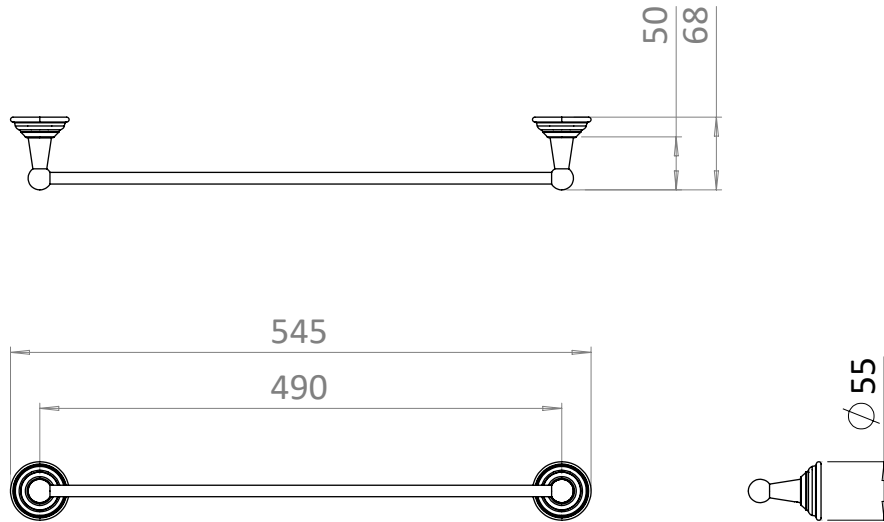
[Click Here](#)

CATEGORY	Accessories
WARRANTY DETAILS	15 Years
COLOUR	Brushed Brass
FINISH APPLICATION	PVD
PRIMARY MATERIAL	Brass
INSTALL TYPE	Wall Mounted
PRODUCT WIDTH MM	545
PRODUCT HEIGHT MM	55
PRODUCT LENGTH MM	68
PRODUCT NET WEIGHT KG	0.45

TECHNICAL DIMENSIONS

Dimensions in mm unless otherwise specified.

Tolerances (per material type) apply.



V10522

SPARES LIST

Only the parts labelled are available as spares.

NUMBER	PART CODE	DESCRIPTION
1	BL023	Belgravia Screw Bag for BL023, BL028