

PRODUCT DATA SHEET



PRODUCT CODE

BL025L

RANGE

Belgravia

DESCRIPTION

Belgravia Toilet Brush Holder Brushed Nickel

WEBSITE LINK

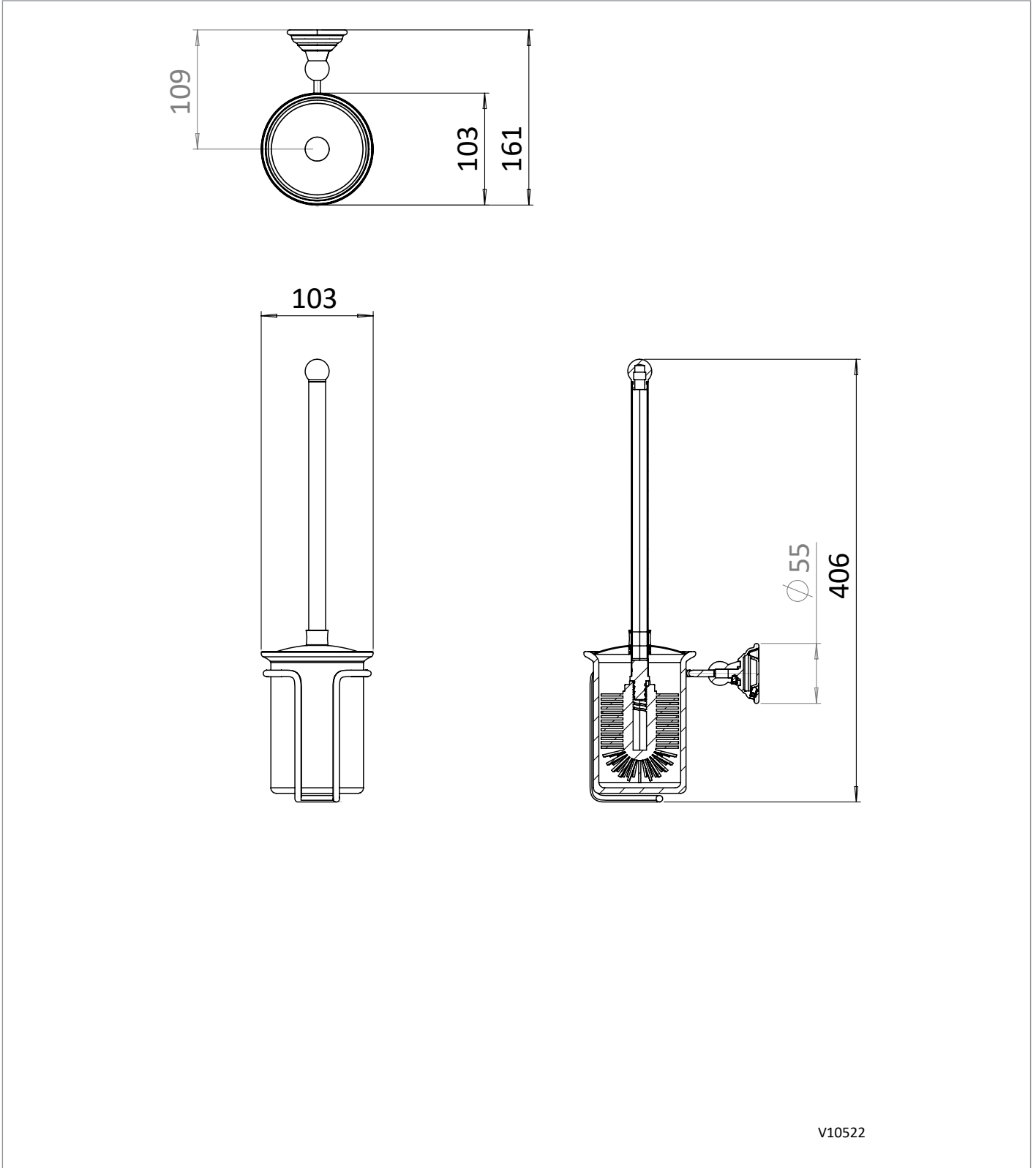
[Click Here](#)

CATEGORY	Accessories
WARRANTY DETAILS	15 Years
COLOUR	Brushed Nickel
FINISH APPLICATION	PVD
PRIMARY MATERIAL	Brass
SECONDARY MATERIAL	Fine Fire Clay
INSTALL TYPE	Wall Mounted
PRODUCT WIDTH MM	103
PRODUCT HEIGHT MM	406
PRODUCT LENGTH MM	161
PRODUCT NET WEIGHT KG	0.96

TECHNICAL DIMENSIONS

Dimensions in mm unless otherwise specified.

Tolerances (per material type) apply.



SPARES LIST

Only the parts labelled are available as spares.

NUMBER	PART CODE	DESCRIPTION
1	BL00011F	Toilet Brush Set Brushed Brass for BL025F