

PRODUCT DATA SHEET



PRODUCT CODE

BS0370FF

RANGE

Freestanding Bath Spout

DESCRIPTION

Bath Spout Floor Standing Brushed Brass

WEBSITE LINK

[Click Here](#)

CATEGORY	Brassware
WARRANTY DETAILS	15 Years
COLOUR	Brushed Brass
FINISH APPLICATION	PVD
PRIMARY MATERIAL	Brass
INSTALL TYPE	Floor Standing
PRODUCT WIDTH MM	70
PRODUCT HEIGHT MM	1010
PRODUCT DEPTH MM	286
PRODUCT NET WEIGHT KG	2.5
MINIMUM PRESSURE (BAR)	1
MAX WORKING PRESSURE (BAR)	10

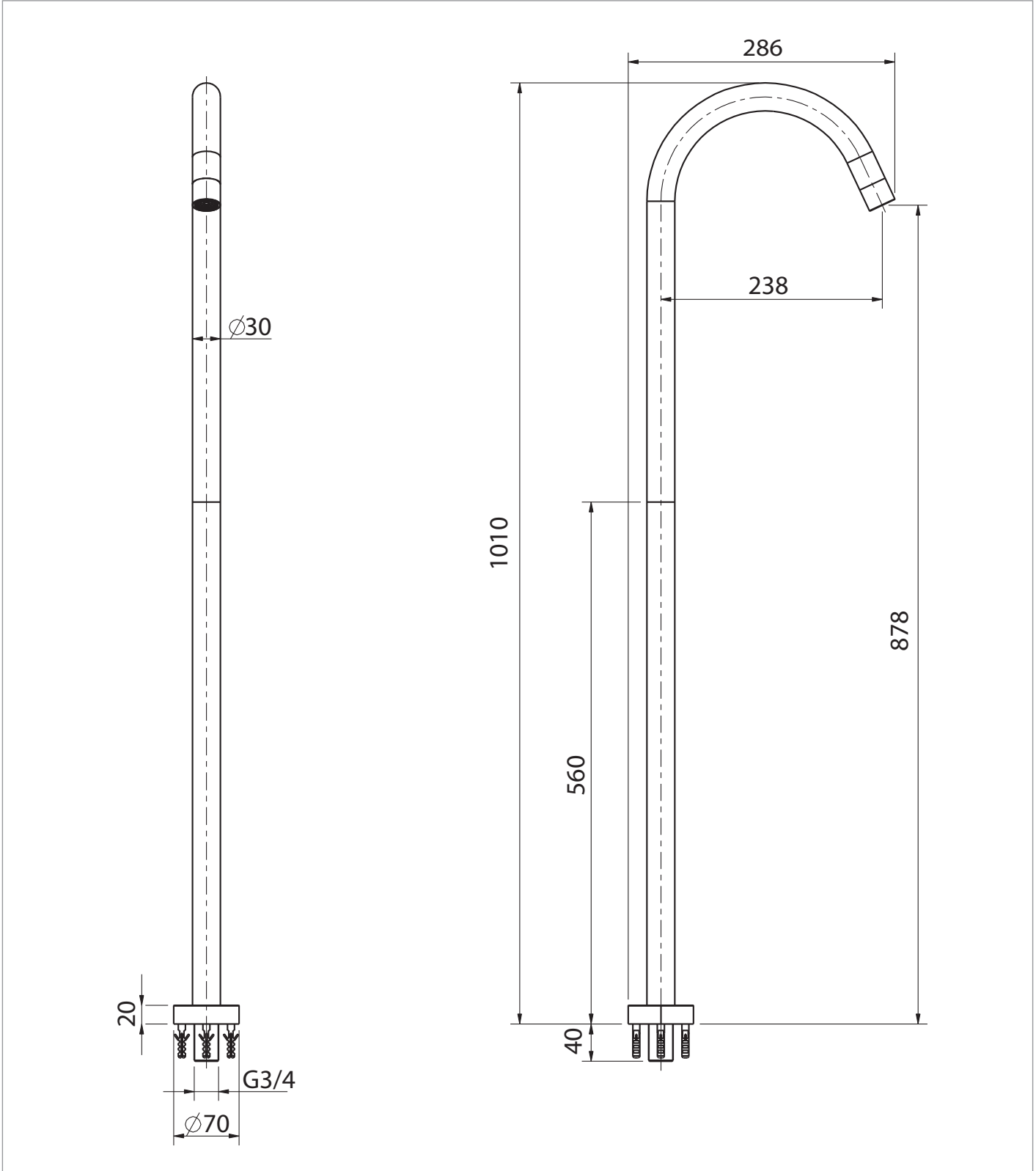
STANDARDS	BS EN 817:2008
APPROVAL	WRAS - 250988003
NUMBER OF OUTLETS	1
NUMBER OF FUNCTIONS	1
SPOUT PROJECTION	238
SWIVEL SPOUT	No
INLET CONNECTIONS THREAD	G3/4"
OUTLET CONNECTIONS THREAD	M24.4
WASTE INCLUDED	No
ANTI-SCALD	No
ENERGY SAVING	No

PRESSURE (BAR)	0.2	0.5	1	2	3	4	5
PRIMARY FLOWRATE			15.22	21.93	25.5	28.48	31.28
HANDSET FLOWRATE							
MASSAGE FLOW RATE							
AIR FLOW RATE							
WIRE FLOW RATE							
WATERFALL FLOW RATE							
MIST FLOW RATE							
HANDSPRAY FLOW RATE							

TECHNICAL DIMENSIONS

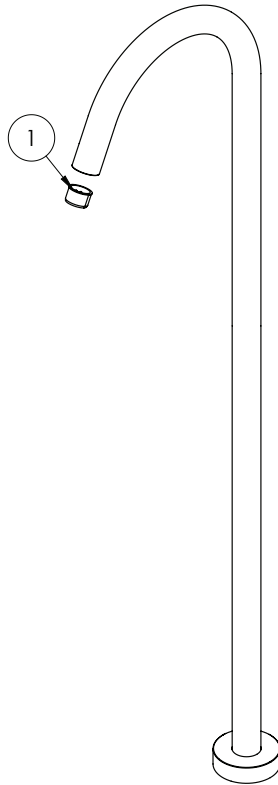
Dimensions in mm unless otherwise specified.

Tolerances (per material type) apply.



SPARES LIST

Only the parts labelled are available as spares.



NUMBER	PART CODE	DESCRIPTION
1	PRO416AERATORC	PRO416 Aerator Housing & Aerator Chr