

PRODUCT DATA SHEET



PRODUCT CODE
BSW0290F

RANGE
Basin Waste

DESCRIPTION
Universal Basin Click Clack Waste
Brushed Brass


BRITTON LINK [Click Here](#)
CROSSWATER LINK [Click Here](#)



CATEGORY	Brassware
WARRANTY DETAILS	2 Years
COLOUR	Brushed Brass
FINISH APPLICATION	PVD
PRIMARY MATERIAL	Brass
INSTALL TYPE	Basin Mounted
PRODUCT WIDTH MM	65
PRODUCT HEIGHT MM	145
PRODUCT NET WEIGHT KG	0.37

SWIVEL SPOUT	No
OUTLET CONNECTIONS THREAD	1 1/4"
WASTE INCLUDED	Yes
ANTI-SCALD	No
ENERGY SAVING	No

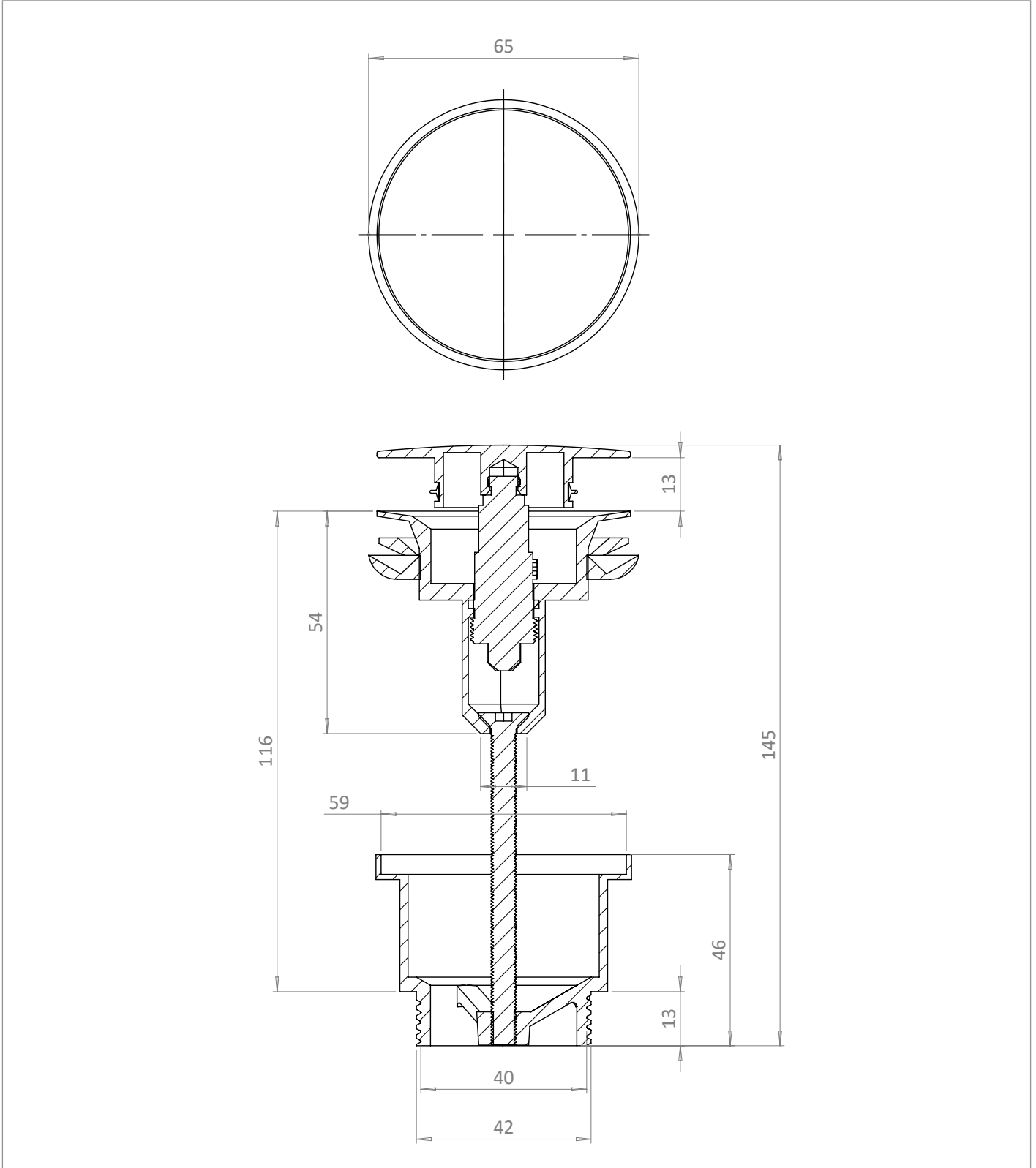
PRESSURE (BAR)	0.2	0.5	1	2	3	4	5
PRIMARY FLOWRATE							
HANDSET FLOWRATE							
MASSAGE FLOW RATE							
AIR FLOW RATE							
WIRE FLOW RATE							
WATERFALL FLOW RATE							
MIST FLOW RATE							
HANDSPRAY FLOW RATE							

 Part of the Bathroom Brands Group

TECHNICAL DIMENSIONS

Dimensions in mm unless otherwise specified.

Tolerances (per material type) apply.



SPARES LIST

Only the parts labelled are available as spares.

NUMBER	PART CODE	DESCRIPTION
1	SP1910F	Waste cover in brushed brass finish for BSW0290F
2	SP1911F	Fixing nut in brushed brass finish for BSW0290F
3	SP1912	Fixing screw for BSW0290 all finishes