

PRODUCT DATA SHEET



PRODUCT CODE

BTW0201C

RANGE

Bath Waste

DESCRIPTION

Bath Click Clack Waste Chrome

WEBSITE LINK

[Click Here](#)

CATEGORY	Brassware
WARRANTY DETAILS	2 Years
COLOUR	Chrome
FINISH APPLICATION	Electroplated
PRIMARY MATERIAL	Brass
INSTALL TYPE	Bath Mounted
PRODUCT WIDTH MM	390
PRODUCT HEIGHT MM	115
PRODUCT LENGTH MM	157
PRODUCT NET WEIGHT KG	2

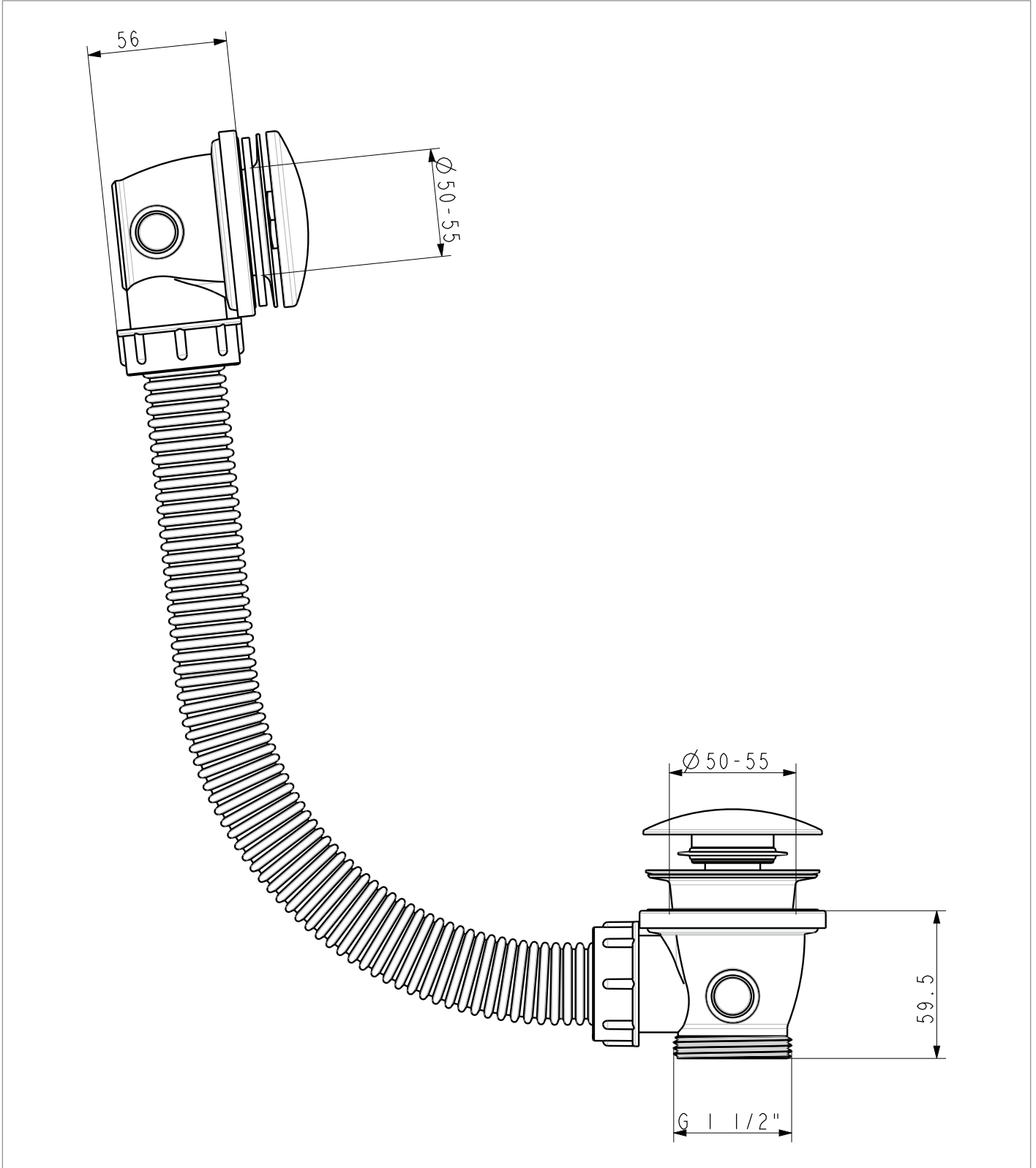
SWIVEL SPOUT	No
OUTLET CONNECTIONS THREAD	1 1/2"
WASTE INCLUDED	Yes
ANTI-SCALD	No
ENERGY SAVING	No

PRESSURE (BAR)	0.2	0.5	1	2	3	4	5
PRIMARY FLOWRATE							
HANDSET FLOWRATE							
MASSAGE FLOW RATE							
AIR FLOW RATE							
WIRE FLOW RATE							
WATERFALL FLOW RATE							
MIST FLOW RATE							
HANDSPRAY FLOW RATE							

TECHNICAL DIMENSIONS

Dimensions in mm unless otherwise specified.

Tolerances (per material type) apply.



SPARES LIST

Only the parts labelled are available as spares.

NUMBER	PART CODE	DESCRIPTION
1	CRIRI09951	Overflow cover chrome