

PRODUCT DATA SHEET



PRODUCT CODE

BTW0206C

RANGE

Bath Waste

DESCRIPTION

Freestanding Bath Slotted Click Clack
Chrome

WEBSITE LINK

[Click Here](#)

CATEGORY	Brassware
WARRANTY DETAILS	2 Years
COLOUR	Chrome
FINISH APPLICATION	Electroplated
PRIMARY MATERIAL	Brass
INSTALL TYPE	Bath Mounted
PRODUCT WIDTH MM	70
PRODUCT HEIGHT MM	83
PRODUCT LENGTH MM	83
PRODUCT DEPTH MM	70
PRODUCT NET WEIGHT KG	0.34

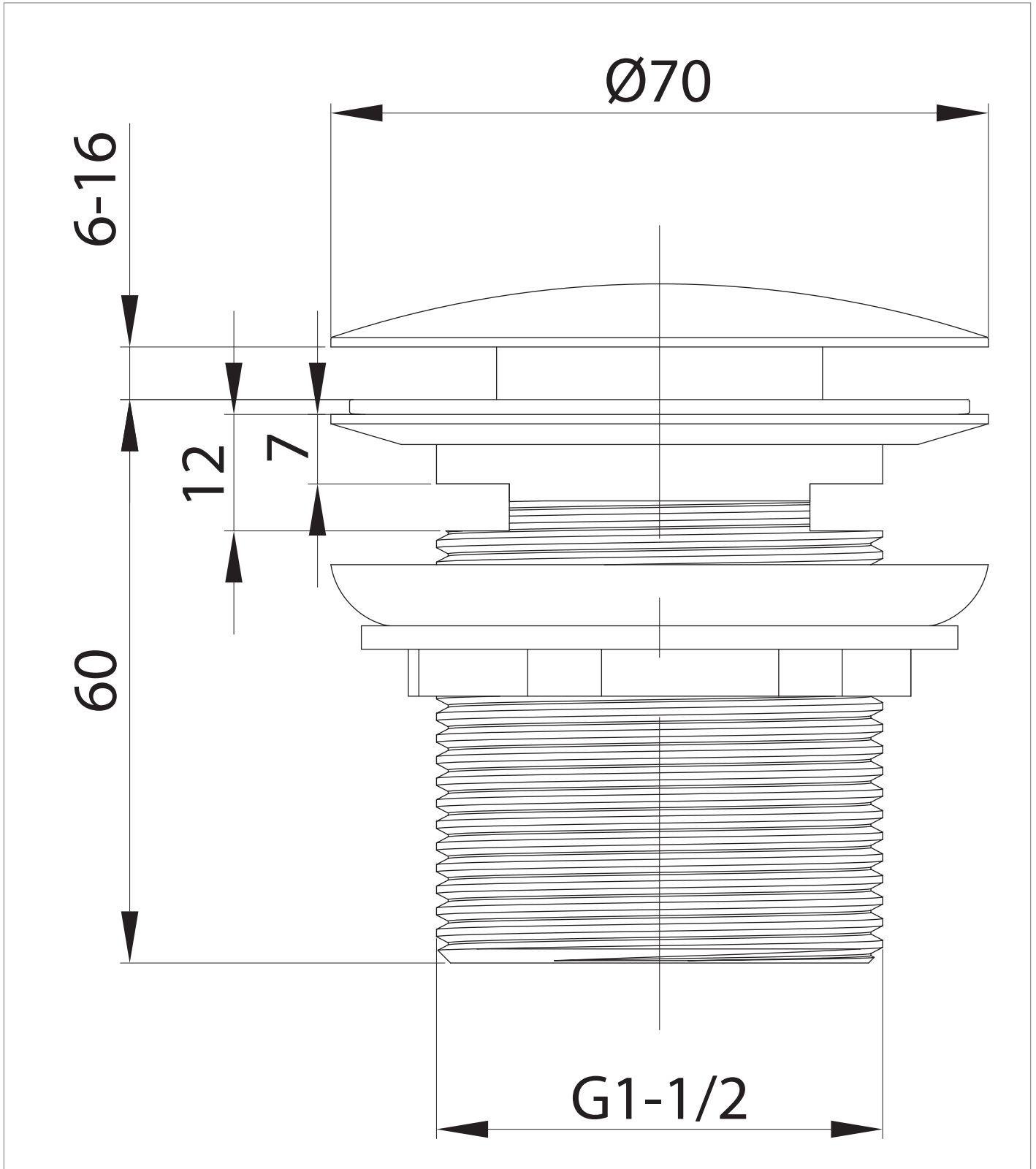
OUTLET CONNECTIONS THREAD WASTETRAP	G1 1/2"
WASTE WATER FLOW RATE	38
WATER SEAL HEIGHT (MM)	3.8
ADJUSTMENT (MIN - MAX)	12-32mm

PRESSURE (BAR)	0.2	0.5	1	2	3	4	5
PRIMARY FLOWRATE							
HANDSET FLOWRATE							
MASSAGE FLOW RATE							
AIR FLOW RATE							
WIRE FLOW RATE							
WATERFALL FLOW RATE							
MIST FLOW RATE							
HANDSPRAY FLOW RATE							

TECHNICAL DIMENSIONS

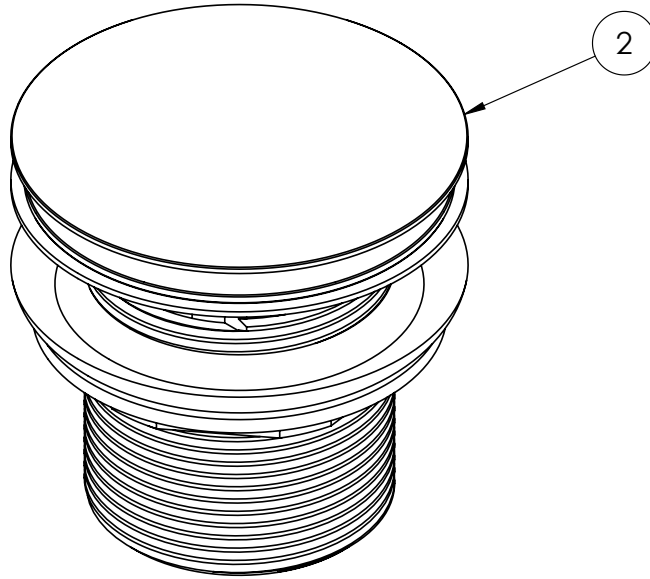
Dimensions in mm unless otherwise specified.

Tolerances (per material type) apply.



SPARES LIST

Only the parts labelled are available as spares.



NUMBER	PART CODE	DESCRIPTION
1	C120040000900	Fixing Kit complete all finishes
2	C120040000800	Plug complete Chrome BTW0206C
	C120040000801	Plug complete Matt Black BTW0206M
	C120040000802	Plug complete Brushed Brass BTW0206F
	C120040000803	Plug complete Stainless steel effect BTW0206V
	C120040000804	Plug complete Slate BTW0206T
	C120040000805	Plug complete Brushed Bronze BTW0206BZ