

# PRODUCT DATA SHEET



## PRODUCT CODE

CAPDBZC0900

## RANGE

Clear 6

## DESCRIPTION

Clear 6 Pivot Door 900 Brushed Bronze

## WEBSITE LINK

[Click Here](#)

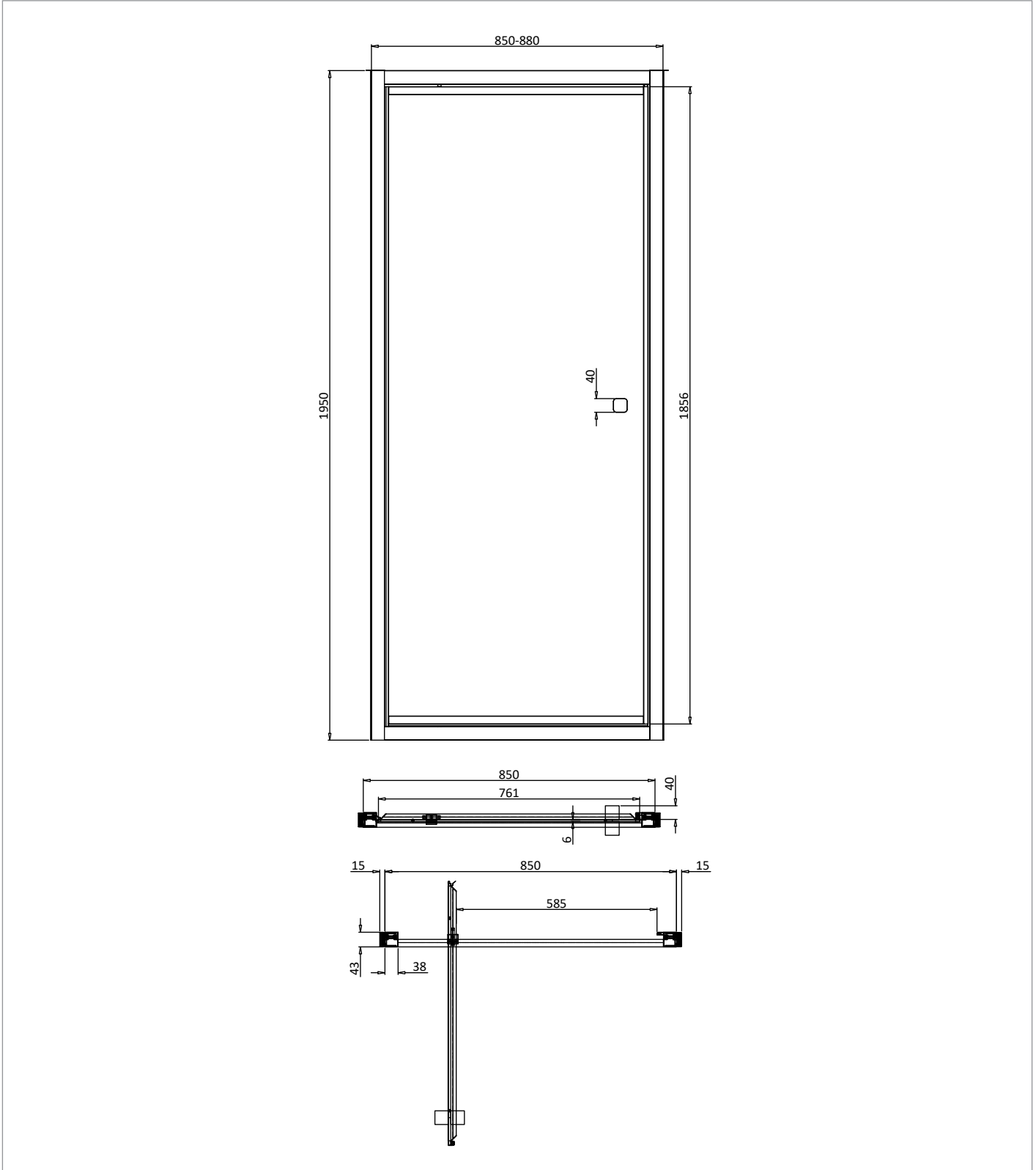
CATEGORY	Showering
WARRANTY DETAILS	Lifetime
COLOUR	Brushed Bronze
FINISH APPLICATION	Anodised
PRIMARY MATERIAL	Glass
SECONDARY MATERIAL	Aluminum
INSTALL TYPE	Wall Mounted
PRODUCT WIDTH MM	850
PRODUCT HEIGHT MM	1950
PRODUCT DEPTH MM	6
PRODUCT NET WEIGHT KG	31

STANDARDS	EN14428
HANDING SHOWERING	Universal
GLASS THICKNESS	6mm
EASY CLEAN	Yes
MAGNETIC DOOR STRIPS	Yes
POWER SHOWER PROOF	Yes
NUMBER OF DOORS	1
SOFT CLOSING DOORS	No
SAFETY GLASS	Yes
REMOVABLE SEALS	Yes
WET ROOM COMPATIBLE	Yes
DOOR A INFORMATION	Pivot door
DOOR OPENING	585

## TECHNICAL DIMENSIONS

Dimensions in mm unless otherwise specified.

Tolerances (per material type) apply.



## SPARES LIST

Only the parts labelled are available as spares.

NUMBER	PART CODE	DESCRIPTION
1	CA600042T	Clear 6 Infold/Pivot Door vertical Seal pack Slate
	CA600042BZ	Clear 6 Infold/Pivot Door vertical Seal pack Brushed Bronze
	CA600042	Clear 6 Infold/Pivot Door vertical Seal pack Silver/Brushed Brass/Brushed stainless steel
	CA600042B	Clear 6 Infold/Pivot Door vertical Seal pack Matt Black
2	CA600046	Clear 6 Infold/Pivot Door 900 Bottom Seal pack
3	CA600045	Clear 6 Infold/Pivot Door 800 Bottom Seal pack
4	CA600047	Clear 6 Infold Door 1000 Bottom Seal pack
5	CA600044	Clear 6 Infold Door 760 Bottom Seal pack
6	CA600043	Clear 6 Infold Door 700 Bottom Seal pack