

# PRODUCT DATA SHEET



## PRODUCT CODE

CO711DC

## RANGE

Cook

## DESCRIPTION

Cook Dual Control Kitchen Mixer with Flexi Spray Chrome

## WEBSITE LINK

[Click Here](#)

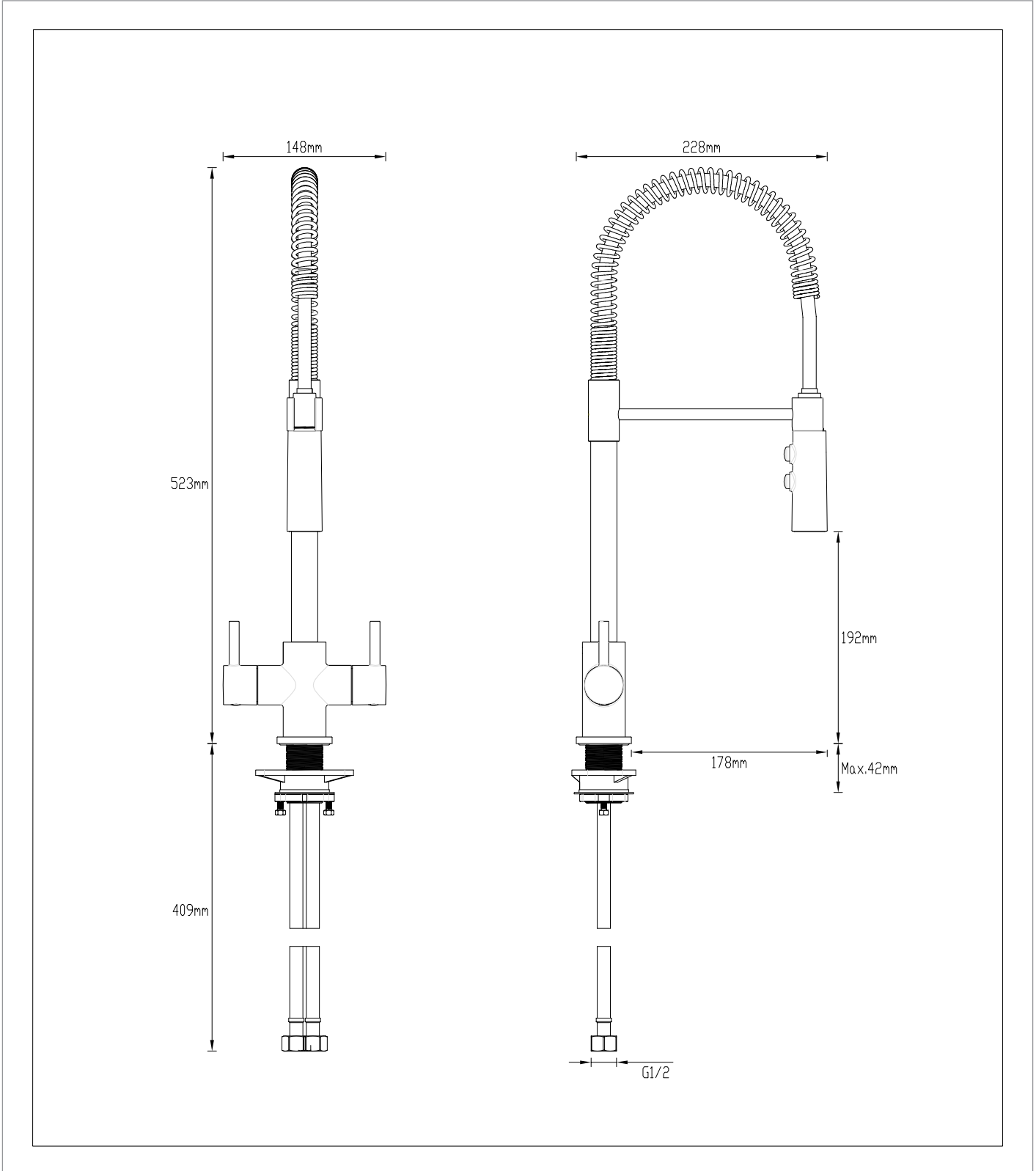
CATEGORY	Brassware
WARRANTY DETAILS	15 Years
COLOUR	Chrome
FINISH APPLICATION	Electroplated
PRIMARY MATERIAL	Brass
INSTALL TYPE	Deck Mounted
PRODUCT WIDTH MM	148
PRODUCT HEIGHT MM	523
PRODUCT LENGTH MM	228
PRODUCT NET WEIGHT KG	2.15
MINIMUM PRESSURE (BAR)	1
MAX WORKING PRESSURE (BAR)	5

PRESSURE (BAR)	0.2	0.5	1	2	3	4	5
PRIMARY FLOWRATE			5.7	8	9.8		12.6
HANDSET FLOWRATE							
MASSAGE FLOW RATE							
AIR FLOW RATE							
WIRE FLOW RATE							
WATERFALL FLOW RATE							
MIST FLOW RATE							
HANDSPRAY FLOW RATE							

## TECHNICAL DIMENSIONS

Dimensions in mm unless otherwise specified.

Tolerances (per material type) apply.



## SPARES LIST

Only the parts labelled are available as spares.

NUMBER	PART CODE	DESCRIPTION
1	CO1211	CO711DC & CO717DC Spray Nozzle
2	MB1039_02	Cold Basin cartridge
3	MB1039_01	G1/2 Hot Quarter Turn Cartridge