

PRODUCT DATA SHEET



PRODUCT CODE

CO717DC

RANGE

Cook

DESCRIPTION

Cook Side Lever Kitchen Mixer with Flexi Spray Chrome

WEBSITE LINK

[Click Here](#)

CATEGORY	Brassware
WARRANTY DETAILS	15 Years
COLOUR	Chrome
FINISH APPLICATION	Electroplated
PRIMARY MATERIAL	Brass
INSTALL TYPE	Deck Mounted
PRODUCT WIDTH MM	110
PRODUCT HEIGHT MM	597
PRODUCT LENGTH MM	230
PRODUCT NET WEIGHT KG	2.3
MINIMUM PRESSURE (BAR)	1
MAX WORKING PRESSURE (BAR)	5

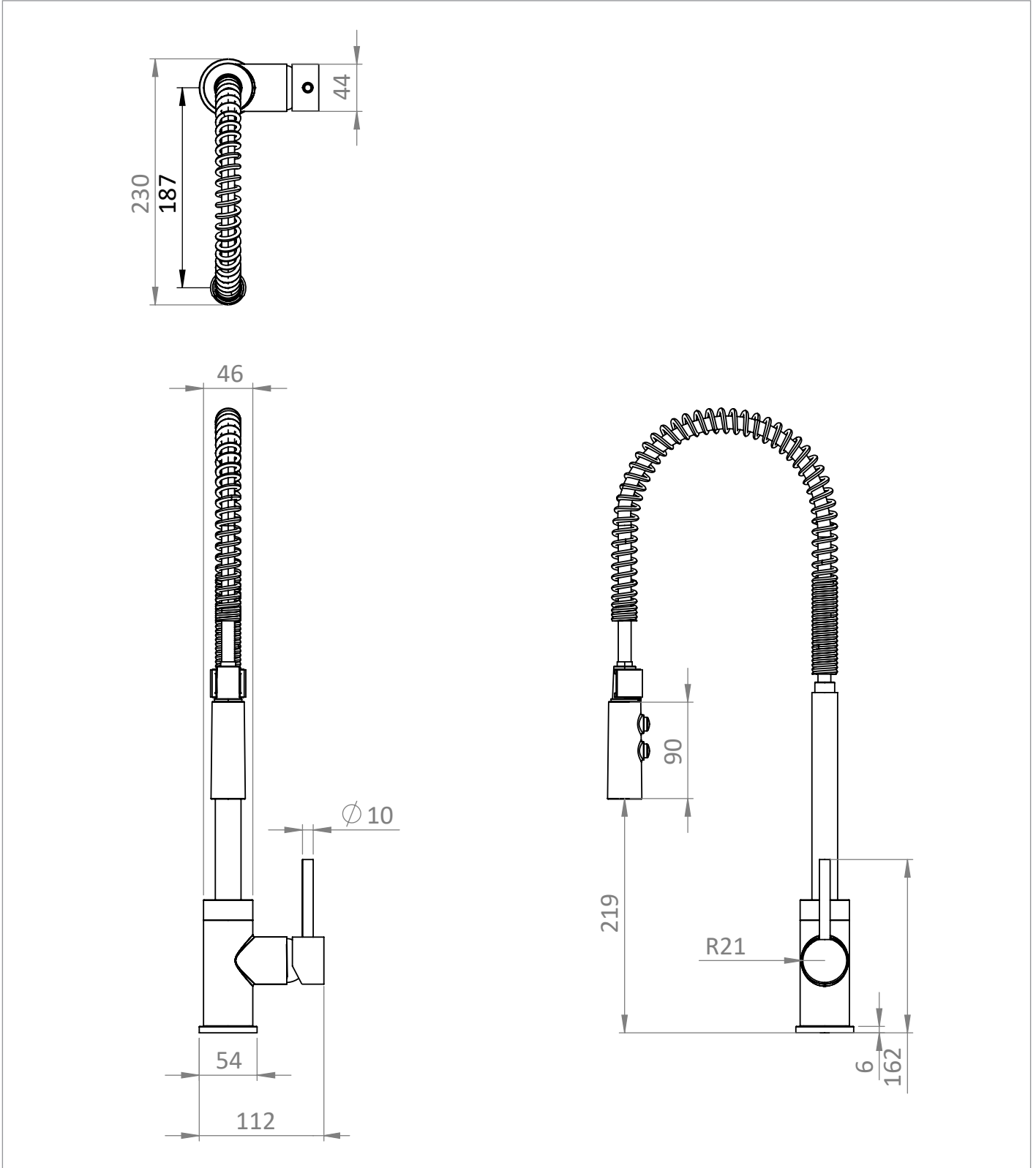
STANDARDS	BS EN 817:2008
NUMBER OF OUTLETS	1
NUMBER OF FUNCTIONS	1
HEADWORK	35mm Single lever ceramic cartridge
SPOUT PROJECTION	176
SWIVEL SPOUT	Yes
INLET CONNECTIONS THREAD	G1/2"
FLOW REGULATOR	Neoperl aerator
WASTE INCLUDED	No
ANTI-SCALD	No
ENERGY SAVING	No

PRESSURE (BAR)	0.2	0.5	1	2	3	4	5
PRIMARY FLOWRATE			6.6	9.2	11.6		14.5
HANDSET FLOWRATE							
MESSAGE FLOW RATE							
AIR FLOW RATE							
WIRE FLOW RATE							
WATERFALL FLOW RATE							
MIST FLOW RATE							
HANDSPRAY FLOW RATE							

TECHNICAL DIMENSIONS

Dimensions in mm unless otherwise specified.

Tolerances (per material type) apply.



SPARES LIST

Only the parts labelled are available as spares.

NUMBER	PART CODE	DESCRIPTION
1	MB1023	35mm Ceramic Cartridge (Non click)
2	TP714LEVERC	Spare Handle for TP714DC without H/C mar
3	CO71LV	Spare Lever DE717DC/CO717DC/DE716DC/TP71
4	CO1211	CO711DC & CO717DC Spray Nozzle