

PRODUCT DATA SHEET



PRODUCT CODE

DR110DNC

RANGE

Drift

DESCRIPTION

Drift Basin Monobloc With Clicker Waste Chrome

WEBSITE LINK

[Click Here](#)

CATEGORY	Brassware
WARRANTY DETAILS	15 Years
COLOUR	Chrome
FINISH APPLICATION	Electroplated
PRIMARY MATERIAL	Brass
INSTALL TYPE	Deck Mounted
PRODUCT WIDTH MM	50
PRODUCT HEIGHT MM	161
PRODUCT LENGTH MM	160
PRODUCT DEPTH MM	157
PRODUCT NET WEIGHT KG	1.22
MINIMUM PRESSURE (BAR)	0.2
MAX WORKING PRESSURE (BAR)	5

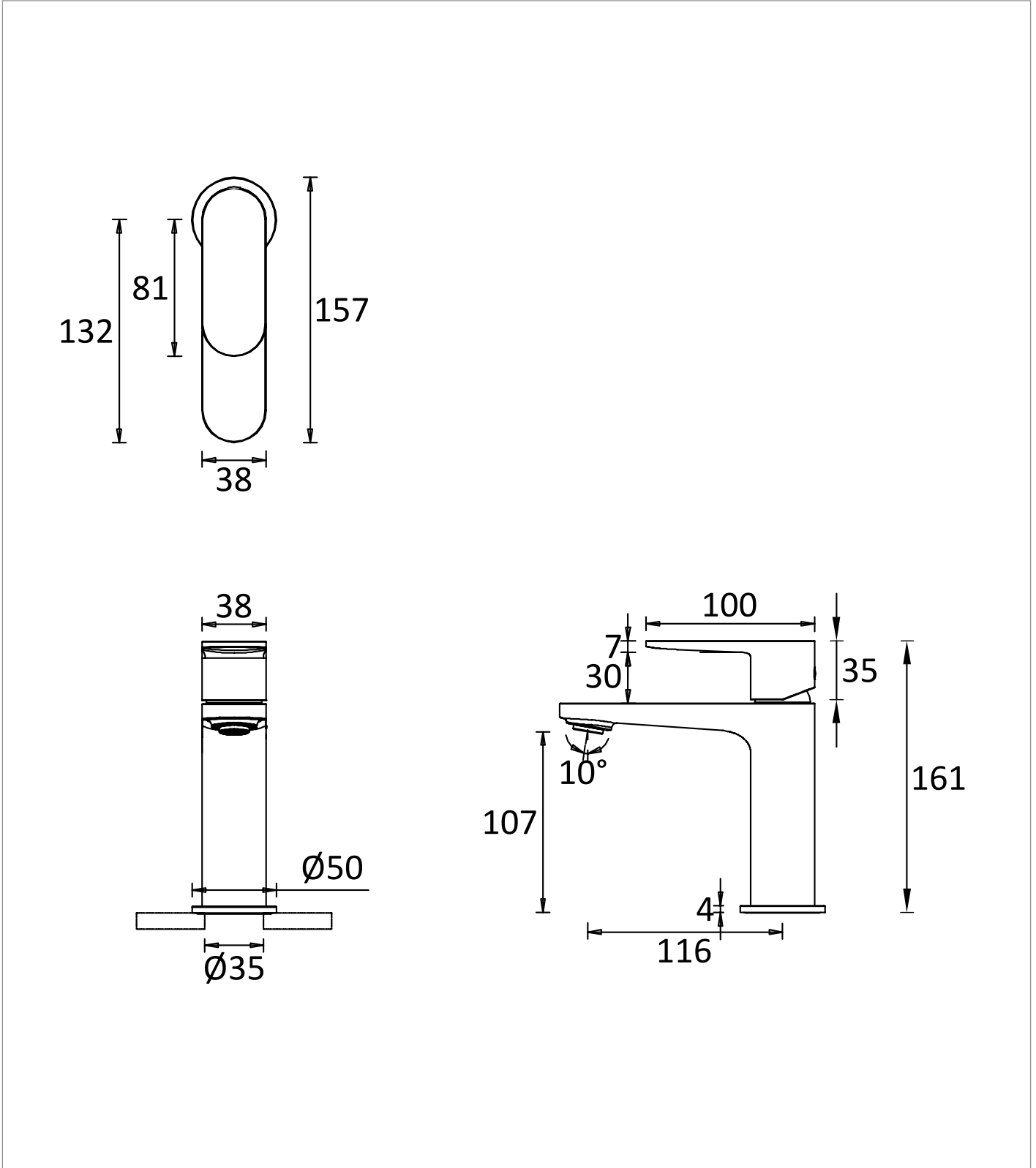
STANDARDS	BS EN 817:2008
APPROVAL	WRAS - 2310141
HEADWORK	28mm Single lever ceramic cartridge
SPOUT PROJECTION	116
SWIVEL SPOUT	No
INLET CONNECTIONS THREAD	G1/2"
WASTE INCLUDED	Yes
ANTI-SCALD	No
ENERGY SAVING	No

PRESSURE (BAR)	0.2	0.5	1	2	3	4	5
PRIMARY FLOWRATE	3.3	5.3	7.5	11	13.6	15.1	16.7
HANDSET FLOWRATE							
MASSAGE FLOW RATE							
AIR FLOW RATE							
WIRE FLOW RATE							
WATERFALL FLOW RATE							
MIST FLOW RATE							
HANDSPRAY FLOW RATE							

TECHNICAL DIMENSIONS

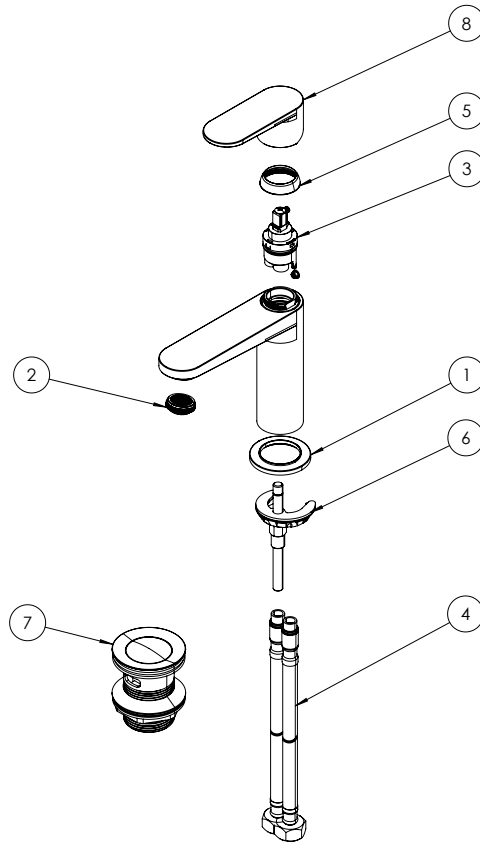
Dimensions in mm unless otherwise specified.

Tolerances (per material type) apply.



SPARES LIST

Only the parts labelled are available as spares.



NUMBER	PART CODE	DESCRIPTION
1	CW1257	Base Plate DR110/112 Brushed Brass
	CW1252	Base Plate DR110/112 Chrome
	CW1349	DR110/112 Base Plate Matt Black
2	CW1251	Basin Aerator Drift & Fuse
3	CW1250	Basin Mono Cartridge Drift & Fuse
4	CW1254	Basin Mono Flexible Tails Drift & Fuse
5	CW1256	Cartridge Cover DR110/112 Brushed Brass
	CW1348	DR110/112 Cartridge Cover Matt Black
	CW1249	Cartridge Cover DR110/112 Chrome
6	CW1253	Clamping Set Basin Mono Drift & Fuse
7	60144-BB	Drift & Fuse Basin Click Clack Waste Slotted Brushed Brass
	60144-CP	Drift & Fuse Basin Click Clack Waste Slotted Chrome
	60144-MB	Drift & Fuse Basin Click Clack Waste Slotted Matt Black
8	CW1255	Handle DR110/112 Brushed Brass
	CW1248	Handle DR110/112 Chrome
	CW1258	Handle DR110/112 Matt Black