

# PRODUCT DATA SHEET



## PRODUCT CODE

ELE400F

## RANGE

Element

## DESCRIPTION

Element 400W Brushed Brass

## WEBSITE LINK

[Click Here](#)

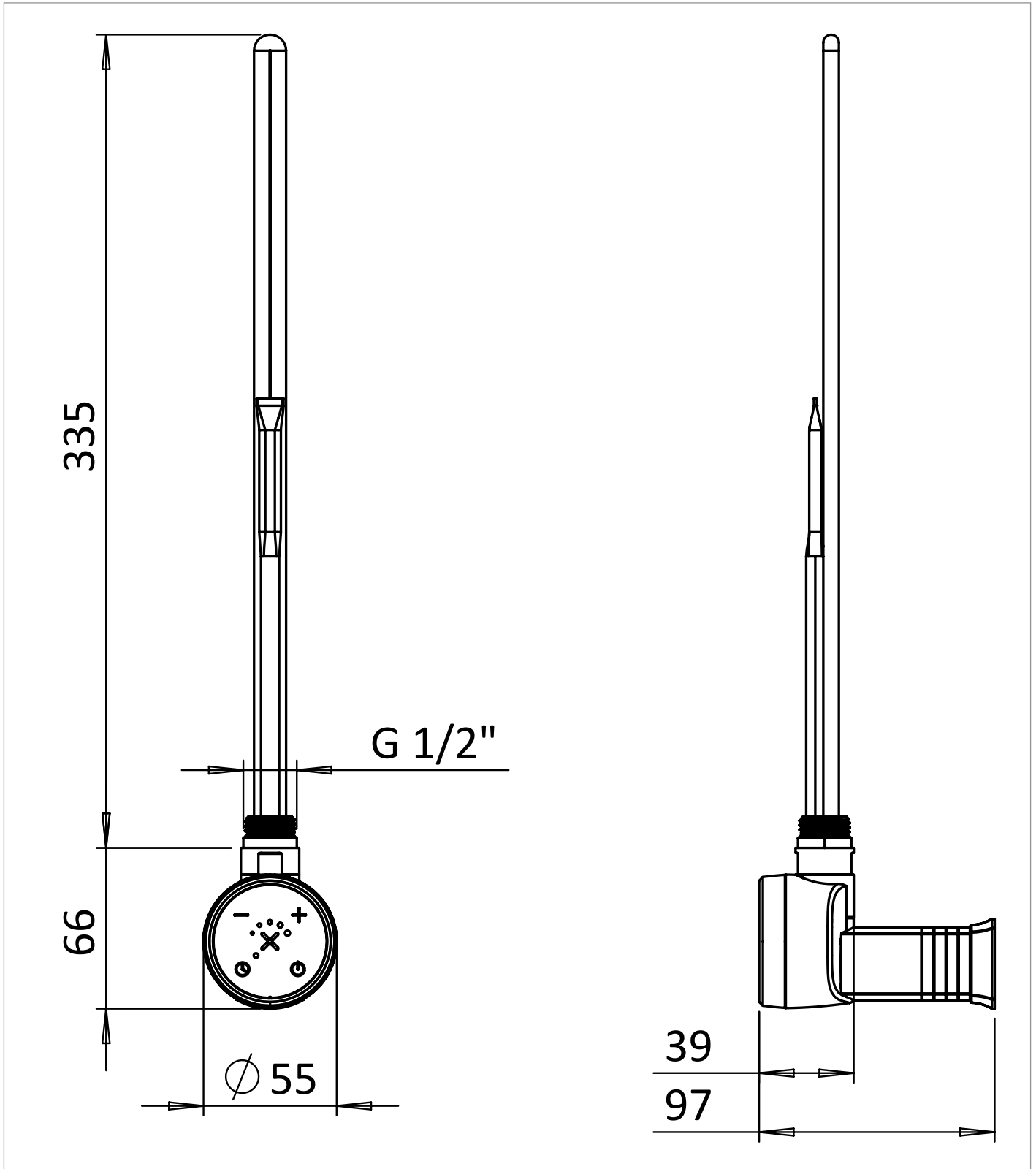
CATEGORY	Heating
WARRANTY DETAILS	2 Years
COLOUR	Brushed Brass
FINISH APPLICATION	Lacquered
PRIMARY MATERIAL	ABS
INSTALL TYPE	Wall Mounted
PRODUCT WIDTH MM	55
PRODUCT HEIGHT MM	66
PRODUCT LENGTH MM	401
PRODUCT DEPTH MM	39
PRODUCT NET WEIGHT KG	0.31

STANDARDS	BS EN 60335-1:2012
INLET CONNECTIONS THREAD HEATING	1/2" BSP
OUTPUT (WATTS)	400
TEMPERATURE RANGE	82
CUT OUT TEMPERATURE	65
IP RATING HEATING	Class 1 IPx5
FULLY FILLED WEIGHT KG	0.31

## TECHNICAL DIMENSIONS

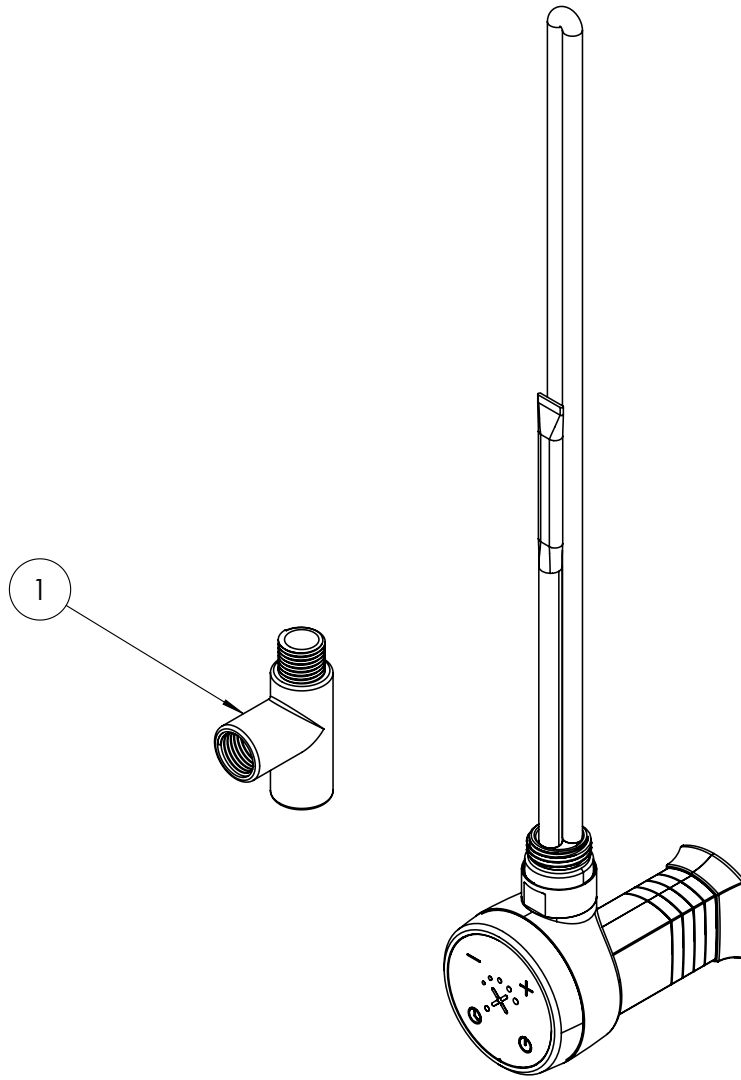
Dimensions in mm unless otherwise specified.

Tolerances (per material type) apply.



## SPARES LIST

Only the parts labelled are available as spares.



NUMBER	PART CODE	DESCRIPTION
1	WRT1C2916	Element T Piece Matt White
	WRT1C29M5	Element T Piece Matt Black
	WRT1C2BRA	Element T Piece Brushed Brass