

PRODUCT DATA SHEET



PRODUCT CODE

FH335C

RANGE

Fixed Head

DESCRIPTION

Revive Stainless Steel Shower Head 300 x 300 Chrome

WEBSITE LINK

[Click Here](#)

CATEGORY	Brassware
WARRANTY DETAILS	15 Years
COLOUR	Chrome
FINISH APPLICATION	Electroplated
PRIMARY MATERIAL	304 Stainless Steel
INSTALL TYPE	Wall Mounted/Ceiling Mounted
PRODUCT WIDTH MM	300
PRODUCT HEIGHT MM	54
PRODUCT LENGTH MM	300
PRODUCT NET WEIGHT KG	2.45
MINIMUM PRESSURE (BAR)	0.5
MAX WORKING PRESSURE (BAR)	5

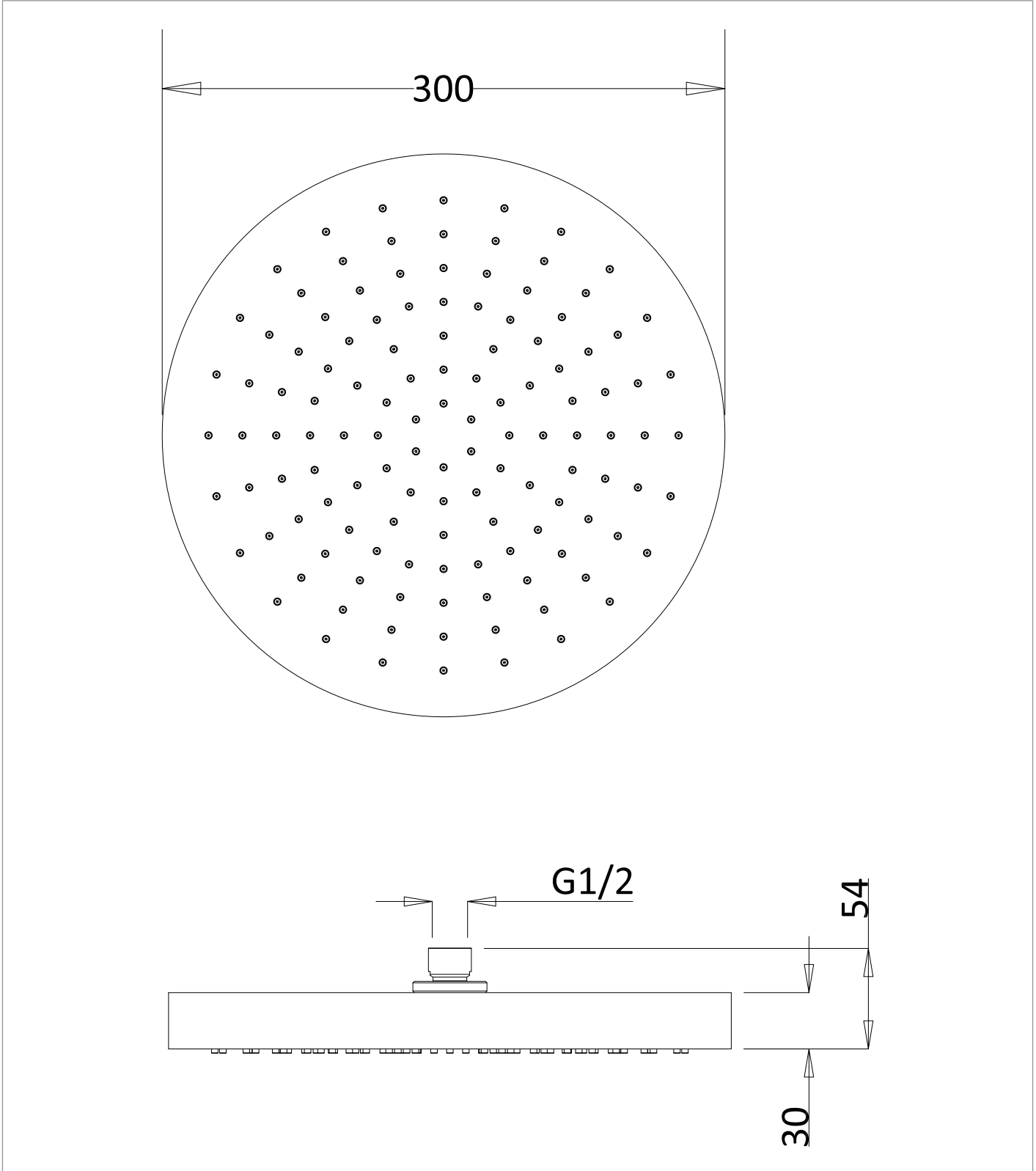
NUMBER OF OUTLETS	1
NUMBER OF FUNCTIONS	1
INLET CONNECTIONS THREAD	G1/2"
WASTE INCLUDED	No
ANTI-SCALD	No
ENERGY SAVING	No

PRESSURE (BAR)	0.2	0.5	1	2	3	4	5
PRIMARY FLOWRATE		8.78	13.17	18.29	22.46	25.97	29.19
HANDSET FLOWRATE							
MASSAGE FLOW RATE							
AIR FLOW RATE							
WIRE FLOW RATE							
WATERFALL FLOW RATE							
MIST FLOW RATE							
HANDSPRAY FLOW RATE							

TECHNICAL DIMENSIONS

Dimensions in mm unless otherwise specified.

Tolerances (per material type) apply.



SPARES LIST

Only the parts labelled are available as spares.

NO SPARES AVAILABLE