

# PRODUCT DATA SHEET



## PRODUCT CODE

FH337T

## RANGE

Fixed Head

## DESCRIPTION

Revive Stainless Steel Shower Head  
Wall Mounted 300 x 300 Slate

## WEBSITE LINK

[Click Here](#)

|                            |                     |
|----------------------------|---------------------|
| CATEGORY                   | Brassware           |
| WARRANTY DETAILS           | 15 Years            |
| COLOUR                     | Slate               |
| FINISH APPLICATION         | PVD                 |
| PRIMARY MATERIAL           | 304 Stainless Steel |
| INSTALL TYPE               | Wall Mounted        |
| PRODUCT WIDTH MM           | 300                 |
| PRODUCT HEIGHT MM          | 169                 |
| PRODUCT LENGTH MM          | 346                 |
| PRODUCT NET WEIGHT KG      | 3.57                |
| MINIMUM PRESSURE (BAR)     | 0.5                 |
| MAX WORKING PRESSURE (BAR) | 5                   |

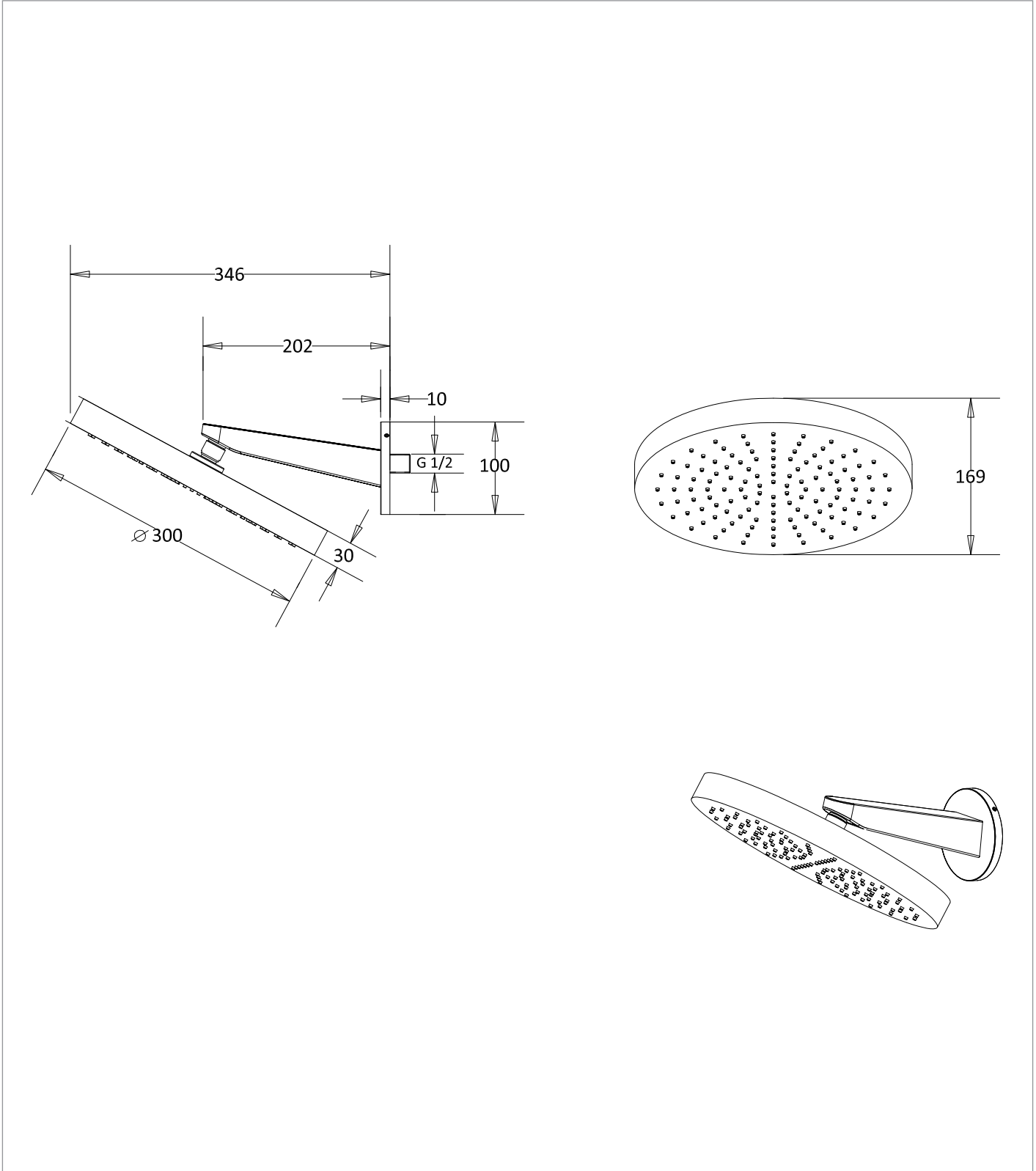
|                          |       |
|--------------------------|-------|
| NUMBER OF OUTLETS        | 1     |
| NUMBER OF FUNCTIONS      | 1     |
| INLET CONNECTIONS THREAD | G1/2" |
| WASTE INCLUDED           | No    |
| ANTI-SCALD               | No    |
| ENERGY SAVING            | No    |

| PRESSURE (BAR)      | 0.2 | 0.5  | 1   | 2     | 3    | 4     | 5    |
|---------------------|-----|------|-----|-------|------|-------|------|
| PRIMARY FLOWRATE    |     | 5.04 | 7.7 | 11.31 | 13.5 | 15.54 | 16.7 |
| HANDSET FLOWRATE    |     |      |     |       |      |       |      |
| MASSAGE FLOW RATE   |     |      |     |       |      |       |      |
| AIR FLOW RATE       |     |      |     |       |      |       |      |
| WIRE FLOW RATE      |     |      |     |       |      |       |      |
| WATERFALL FLOW RATE |     |      |     |       |      |       |      |
| MIST FLOW RATE      |     |      |     |       |      |       |      |
| HANDSPRAY FLOW RATE |     |      |     |       |      |       |      |

## TECHNICAL DIMENSIONS

Dimensions in mm unless otherwise specified.

Tolerances (per material type) apply.



## SPARES LIST

Only the parts labelled are available as spares.

| NUMBER | PART CODE | DESCRIPTION               |
|--------|-----------|---------------------------|
| 1      | FH00001   | Revive Showerheads Screws |