

PRODUCT DATA SHEET



PRODUCT CODE

F0070C

RANGE

Fold

DESCRIPTION

Fold Single Hook Over Glass 8mm or 10mm Chrome

WEBSITE LINK

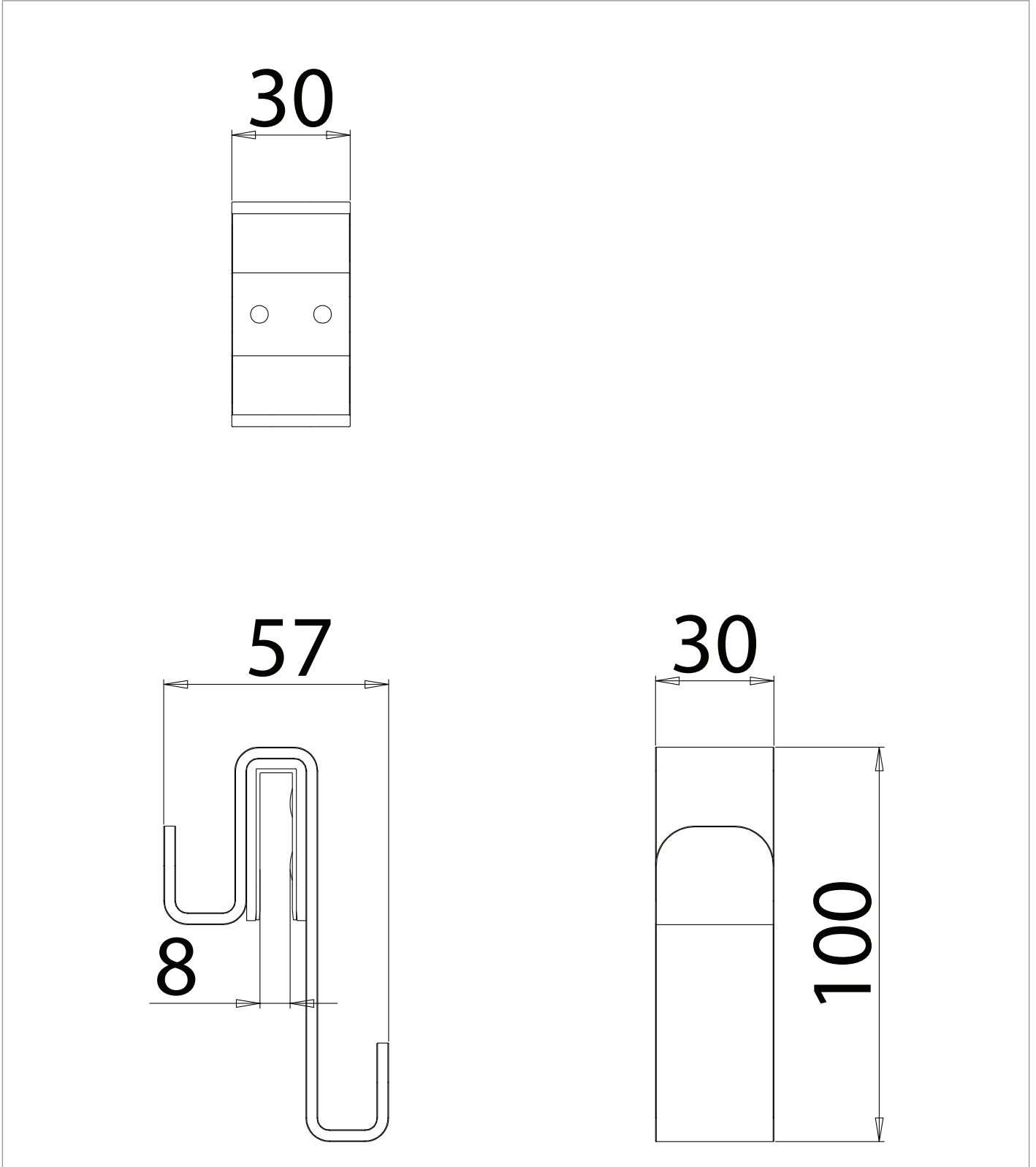
[Click Here](#)

CATEGORY	Accessories
WARRANTY DETAILS	15 Years
COLOUR	Chrome
FINISH APPLICATION	Polished
PRIMARY MATERIAL	304 Stainless Steel
SECONDARY MATERIAL	Plastic
PRODUCT WIDTH MM	30
PRODUCT HEIGHT MM	100
PRODUCT LENGTH MM	57
PRODUCT NET WEIGHT KG	0.2

TECHNICAL DIMENSIONS

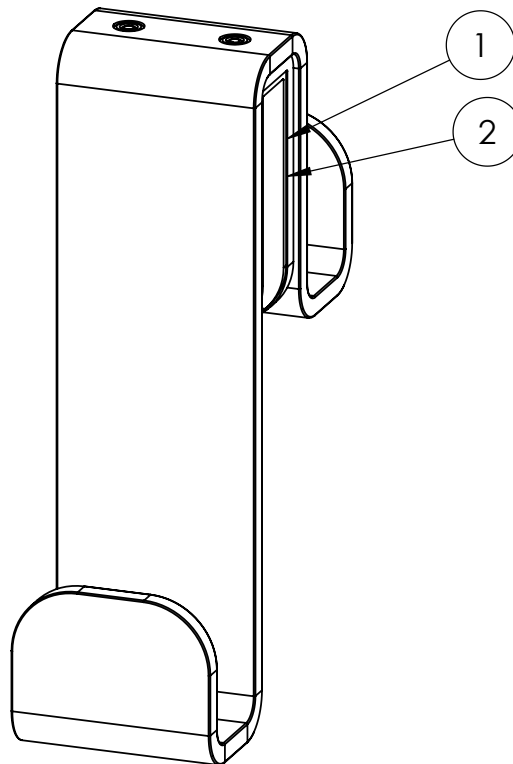
Dimensions in mm unless otherwise specified.

Tolerances (per material type) apply.



SPARES LIST

Only the parts labelled are available as spares.



NUMBER	PART CODE	DESCRIPTION
1	FO00001	8mm Gasket for Hooks
2	FO00002	10mm Gasket for Hooks