

PRODUCT DATA SHEET



PRODUCT CODE

FS1500RM

RANGE

Fuse

DESCRIPTION

Fuse 2 Outlet 2 Handle Valve & Trimset
Matt Black

WEBSITE LINK

[Click Here](#)

CATEGORY	Brassware
WARRANTY DETAILS	15 Years
COLOUR	Matt Black
FINISH APPLICATION	Immersion Plating
PRIMARY MATERIAL	Brass
SECONDARY MATERIAL	Plastic
INSTALL TYPE	Wall Mounted
PRODUCT WIDTH MM	120
PRODUCT HEIGHT MM	215
PRODUCT LENGTH MM	138
PRODUCT NET WEIGHT KG	2.44
MINIMUM PRESSURE (BAR)	0.5
MAX WORKING PRESSURE (BAR)	5

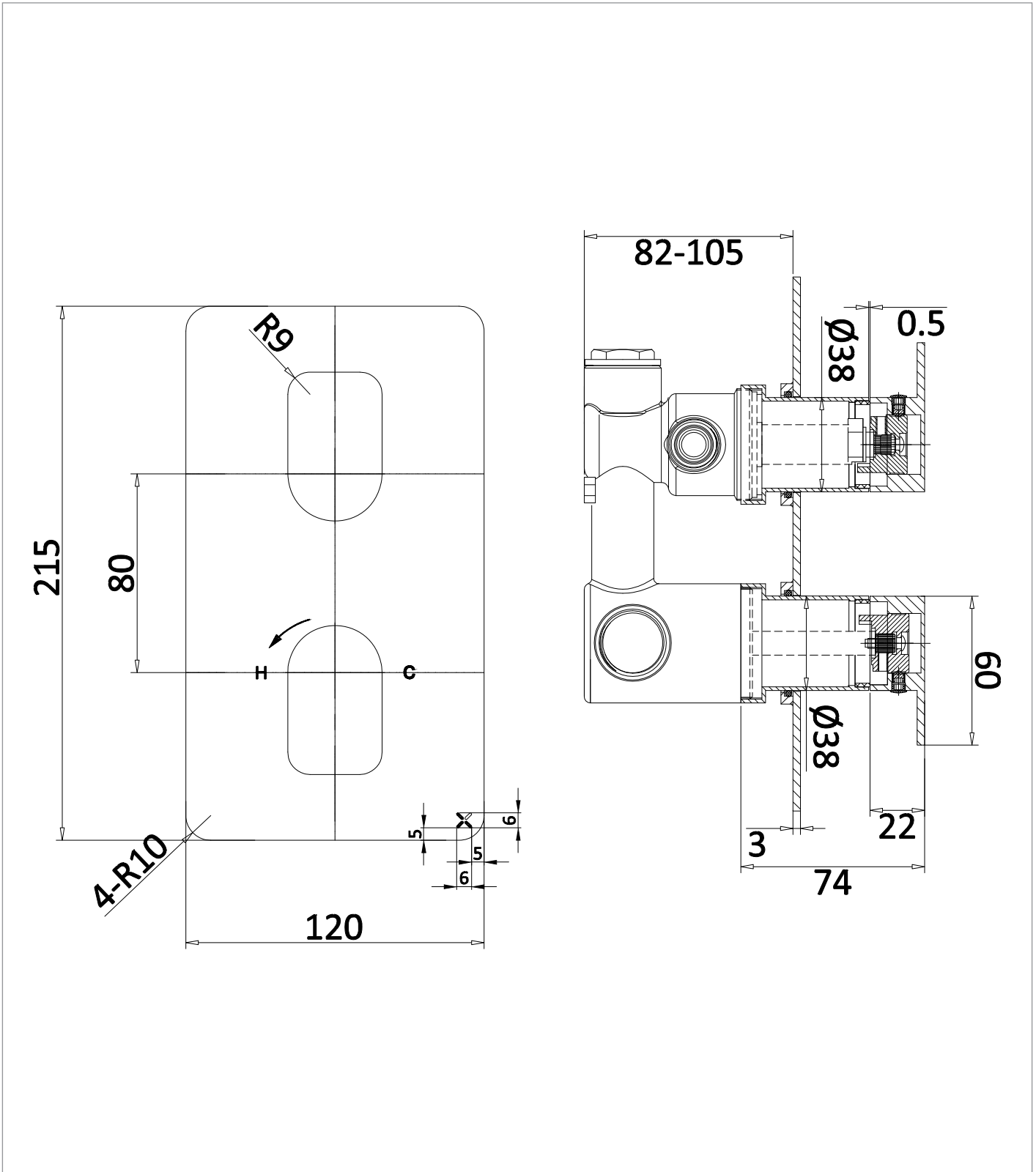
STANDARDS	BS EN 1111:2017
NUMBER OF OUTLETS	2
NUMBER OF FUNCTIONS	2
HEADWORK	Thermostatic cartridge, 40mm Diverter
SWIVEL SPOUT	No
INLET CONNECTIONS THREAD	G3/4"
OUTLET CONNECTIONS THREAD	G3/4"
WASTE INCLUDED	No
ANTI-SCALD	No
ENERGY SAVING	No

PRESSURE (BAR)	0.2	0.5	1	2	3	4	5
PRIMARY FLOWRATE		11.52	16.38	23	26.6		35
HANDSET FLOWRATE							
MASSAGE FLOW RATE							
AIR FLOW RATE							
WIRE FLOW RATE							
WATERFALL FLOW RATE							
MIST FLOW RATE							
HANDSPRAY FLOW RATE							

TECHNICAL DIMENSIONS

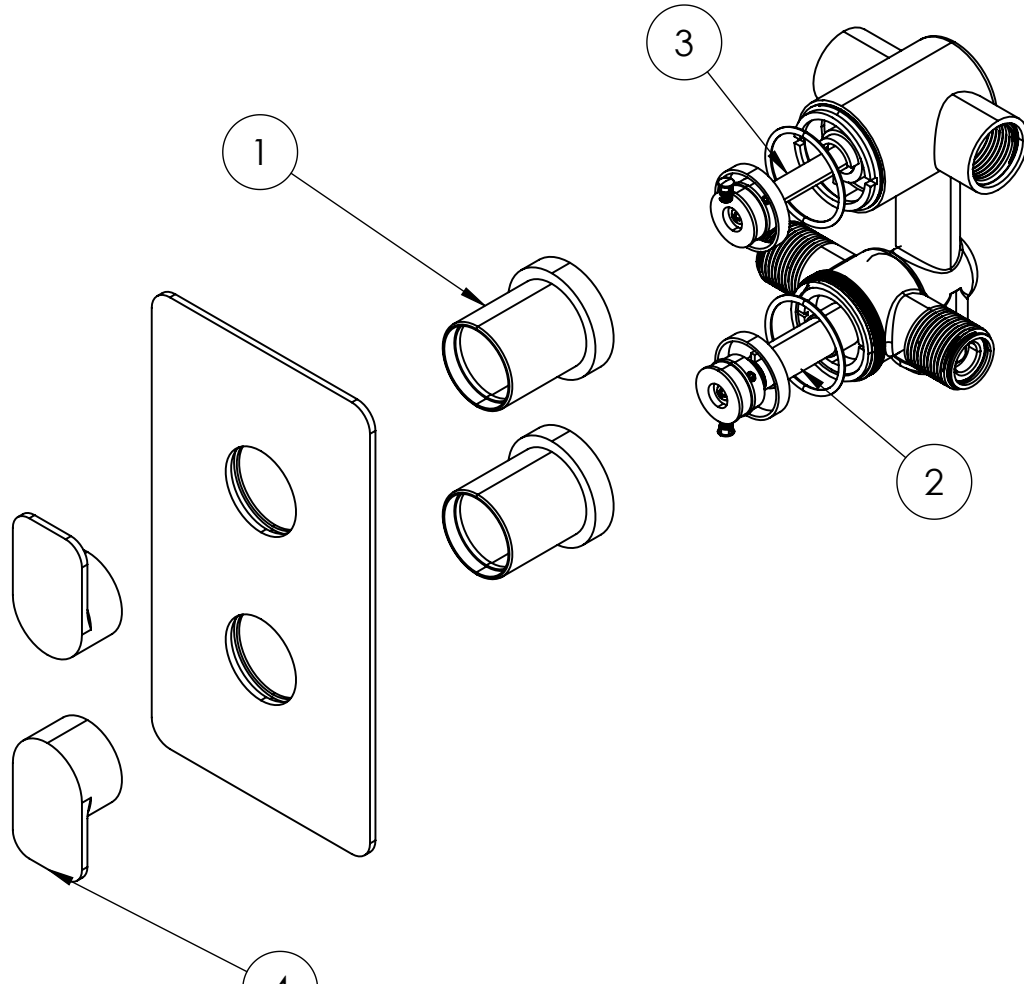
Dimensions in mm unless otherwise specified.

Tolerances (per material type) apply.



SPARES LIST

Only the parts labelled are available as spares.



NUMBER	PART CODE	DESCRIPTION
1	SP1914C	Thermo Collar For Hoxton, Drift & Fuse Valves Chrome
	SP1914F	Thermo Collar For Hoxton, Drift & Fuse Valves Brushed Brass
	SP1914M	Thermo Collar For Hoxton, Drift & Fuse Valves Matt Black
2	SP314	VQT1 temperature control cartridge
3	SP584	Mingshi F4 flow control cartridge
4	SL0318P1_59	Fuse Shower Valve Handle Chrome
	SL0318P1_61	Fuse Shower Valve Handle Brushed Brass
	SL0318P1_60	Fuse Shower Valve Handle Matt Black