

PRODUCT DATA SHEET



PRODUCT CODE

GBH01M

RANGE

Grab Bar

DESCRIPTION

Grab Bar Handset Holder Matt Black

WEBSITE LINK

[Click Here](#)

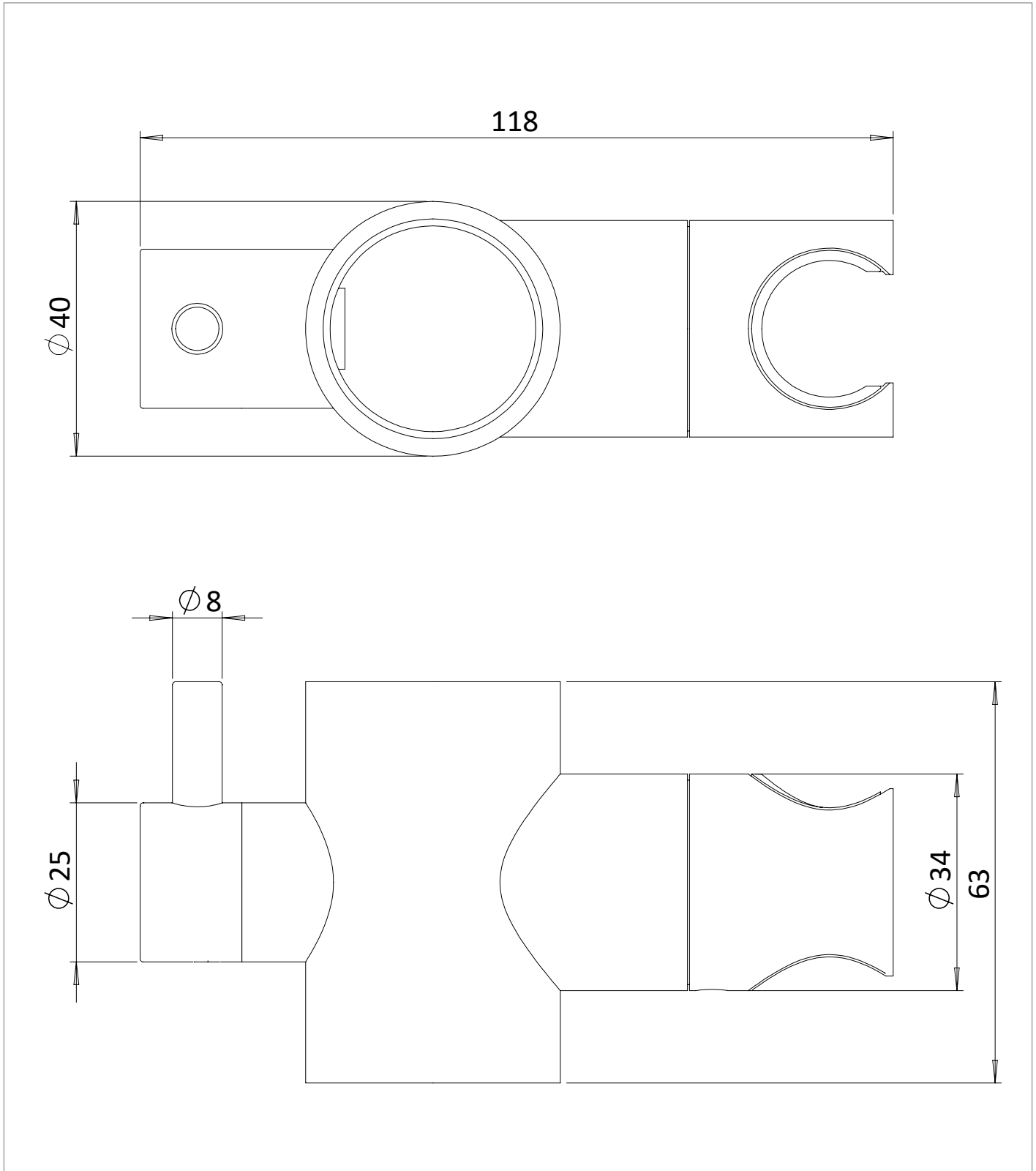
| | |
|-----------------------|---------------------|
| CATEGORY | Accessories |
| WARRANTY DETAILS | 15 Years |
| COLOUR | Matt Black |
| FINISH APPLICATION | Immersion Plating |
| PRIMARY MATERIAL | 304 Stainless Steel |
| SECONDARY MATERIAL | Plastic |
| INSTALL TYPE | Wall Mounted |
| PRODUCT WIDTH MM | 118 |
| PRODUCT HEIGHT MM | 63 |
| PRODUCT DEPTH MM | 40 |
| PRODUCT NET WEIGHT KG | 0.3 |

| | |
|-------------------------|---|
| COLOUR CODE / REFERENCE | M |
|-------------------------|---|

TECHNICAL DIMENSIONS

Dimensions in mm unless otherwise specified.

Tolerances (per material type) apply.



SPARES LIST

Only the parts labelled are available as spares.

NO SPARES AVAILABLE