

PRODUCT DATA SHEET



PRODUCT CODE

GD110DNT

RANGE

Glide II

DESCRIPTION

Glide II Basin Monobloc Slate

WEBSITE LINK

[Click Here](#)

CATEGORY	Brassware
WARRANTY DETAILS	15 Years
COLOUR	Slate
FINISH APPLICATION	PVD
PRIMARY MATERIAL	Brass
SECONDARY MATERIAL	Zinc
INSTALL TYPE	Deck Mounted
PRODUCT WIDTH MM	48
PRODUCT HEIGHT MM	147
PRODUCT DEPTH MM	161
PRODUCT NET WEIGHT KG	1.06
MINIMUM PRESSURE (BAR)	1
MAX WORKING PRESSURE (BAR)	5

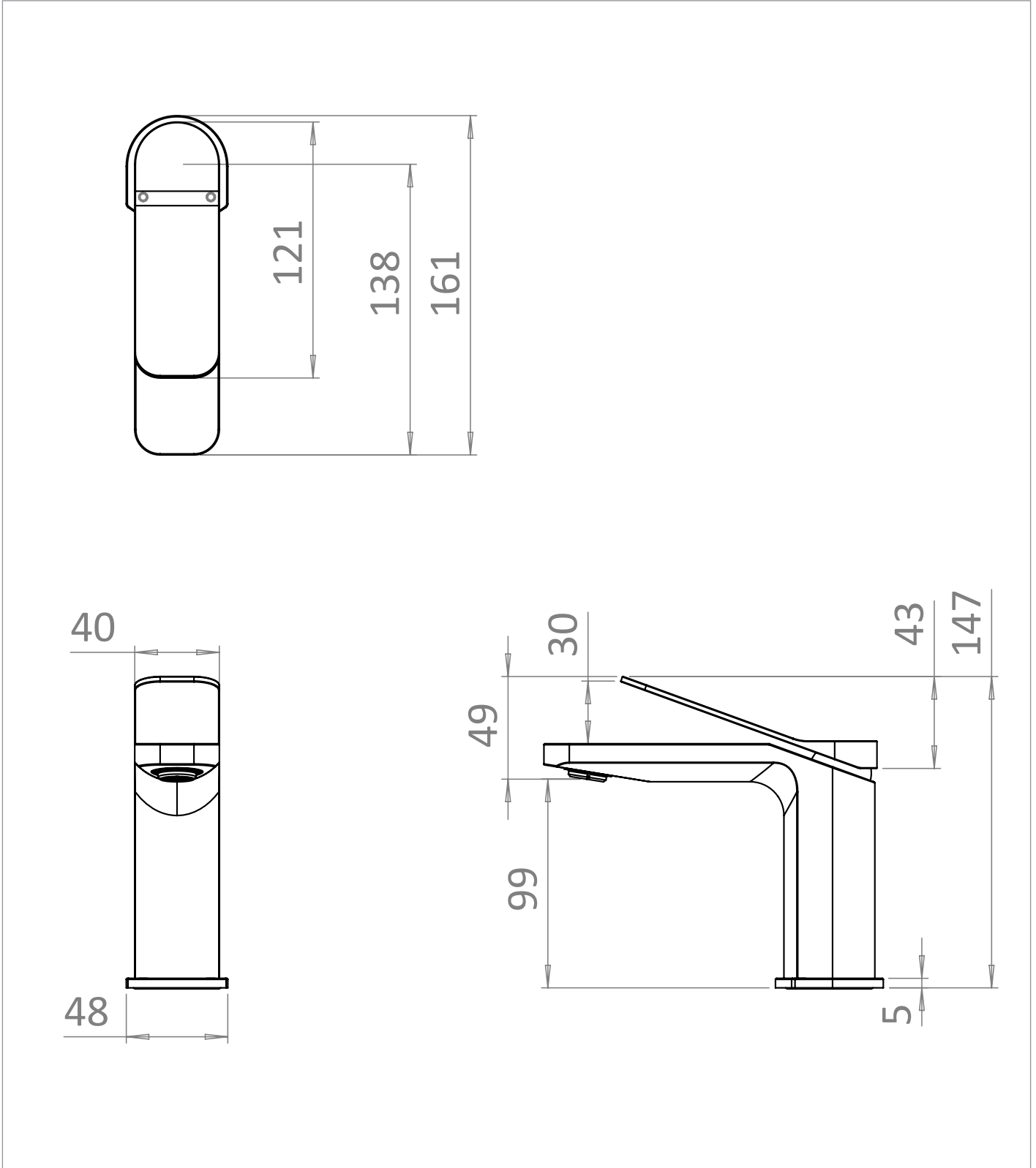
STANDARDS	BS EN 817:2008
APPROVAL	KIWA - 2210790
NUMBER OF OUTLETS	1
NUMBER OF FUNCTIONS	1
HEADWORK	35mm Single lever ceramic cartridge
SPOUT PROJECTION	115
SWIVEL SPOUT	No
INLET CONNECTIONS THREAD	G1/2"
OUTLET CONNECTIONS THREAD	M24x1
WASTE INCLUDED	No
ANTI-SCALD	No
ENERGY SAVING	No

PRESSURE (BAR)	0.2	0.5	1	2	3	4	5
PRIMARY FLOWRATE			4.15	5.35	4.96	5.02	4.92
HANDSET FLOWRATE							
MASSAGE FLOW RATE							
AIR FLOW RATE							
WIRE FLOW RATE							
WATERFALL FLOW RATE							
MIST FLOW RATE							
HANDSPRAY FLOW RATE							

TECHNICAL DIMENSIONS

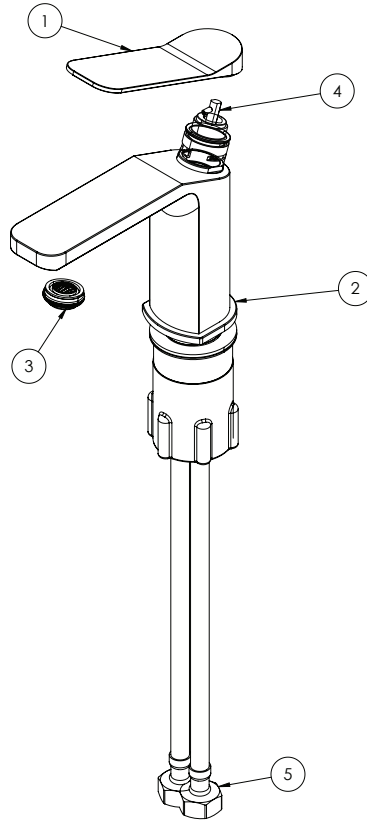
Dimensions in mm unless otherwise specified.

Tolerances (per material type) apply.



SPARES LIST

Only the parts labelled are available as spares.



NUMBER	PART CODE	DESCRIPTION
1	A033110202	GD110/112V Stainless Lever
	A033110201	GD110/112DNM Matt Black Lever
	A033110203	GD110/112DNF BBrass Lever
	A033110200	GD110/112DNC Chrome Lever
	A033110207	GD110/112DNBZ Brushed Bronze Lever
2	A033110302	GD11/112V Stainless Base Ring
	A033110301	GD11/112DNM Matt Black Base Ring
	A033110303	GD11/112DNF BBrass Base Ring
	A033110300	GD11/112DNC Chrome Base Ring
	A033110307	GD110DNBZ, GD112DNBZ Brushed Bronze Base Ring
3	B04001701	GD110/112/121 Aerator
4	B06004800	GD110/112 Cartridge
5	B19001601	GD110 Flexible Hose (G1/2xM10x1-40CM)