

# PRODUCT DATA SHEET



## PRODUCT CODE

GD121WNM

## RANGE

Glide II

## DESCRIPTION

Glide II Basin Set Single Plate Wall Mounted Matt Black

## WEBSITE LINK

[Click Here](#)

CATEGORY	Brassware
WARRANTY DETAILS	15 Years
COLOUR	Matt Black
FINISH APPLICATION	Powder Coated
PRIMARY MATERIAL	Brass
SECONDARY MATERIAL	Zinc
INSTALL TYPE	Wall Mounted
PRODUCT WIDTH MM	190
PRODUCT HEIGHT MM	103
PRODUCT DEPTH MM	202
PRODUCT NET WEIGHT KG	1.5
MINIMUM PRESSURE (BAR)	1
MAX WORKING PRESSURE (BAR)	5

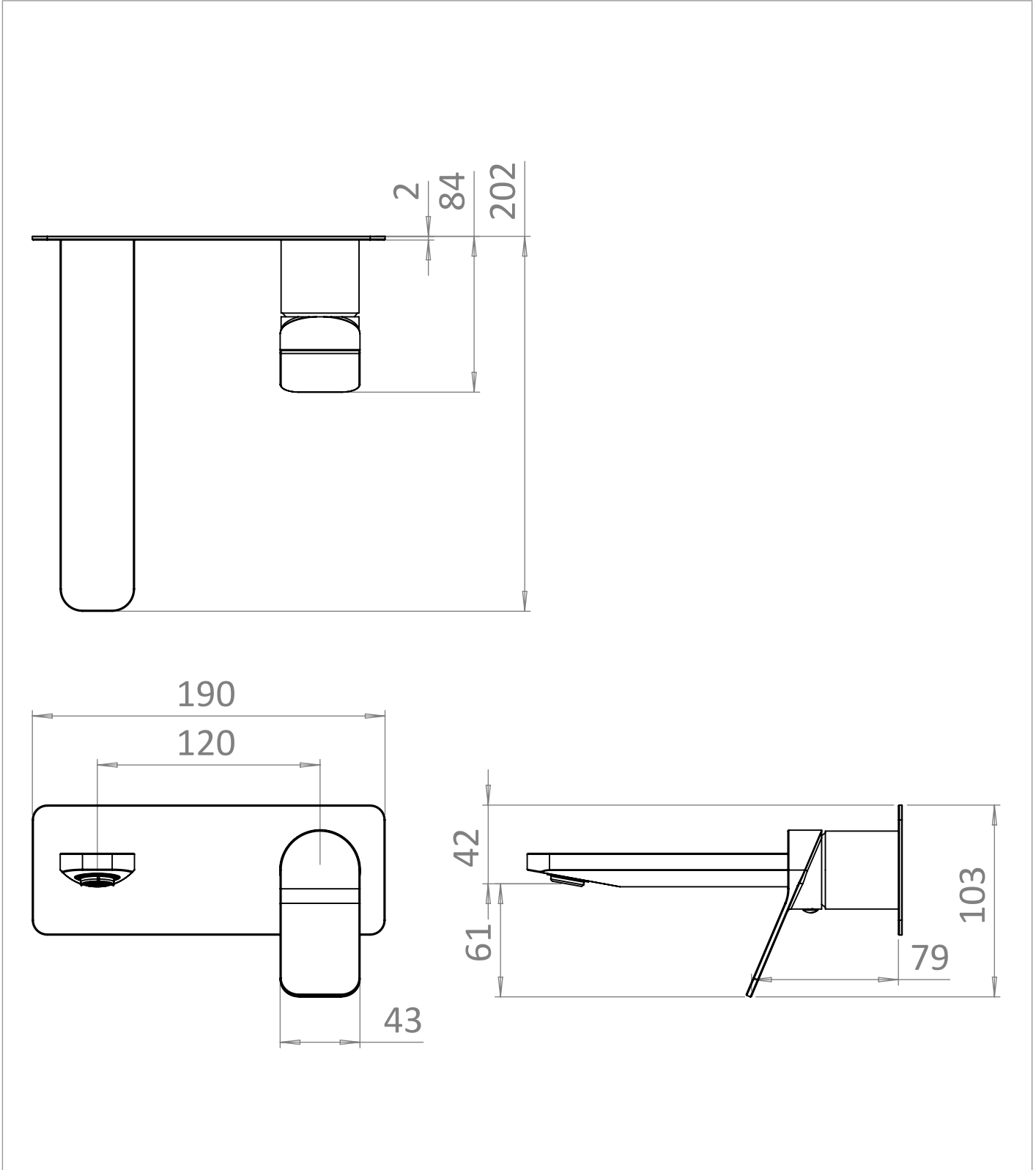
STANDARDS	BS EN 817:2008
APPROVAL	KIWA - 2309713
NUMBER OF OUTLETS	1
NUMBER OF FUNCTIONS	1
HEADWORK	35mm Single lever ceramic cartridge
SPOUT PROJECTION	181
SWIVEL SPOUT	No
INLET CONNECTIONS THREAD	G1/2"
OUTLET CONNECTIONS THREAD	M24x1
FLOW REGULATOR	Perlator coin slot M24x1
WASTE INCLUDED	No
ANTI-SCALD	No
ENERGY SAVING	No

PRESSURE (BAR)	0.2	0.5	1	2	3	4	5
PRIMARY FLOWRATE			4.52	5.18	4.98	5.66	4.98
HANDSET FLOWRATE							
MASSAGE FLOW RATE							
AIR FLOW RATE							
WIRE FLOW RATE							
WATERFALL FLOW RATE							
MIST FLOW RATE							
HANDSPRAY FLOW RATE							

## TECHNICAL DIMENSIONS

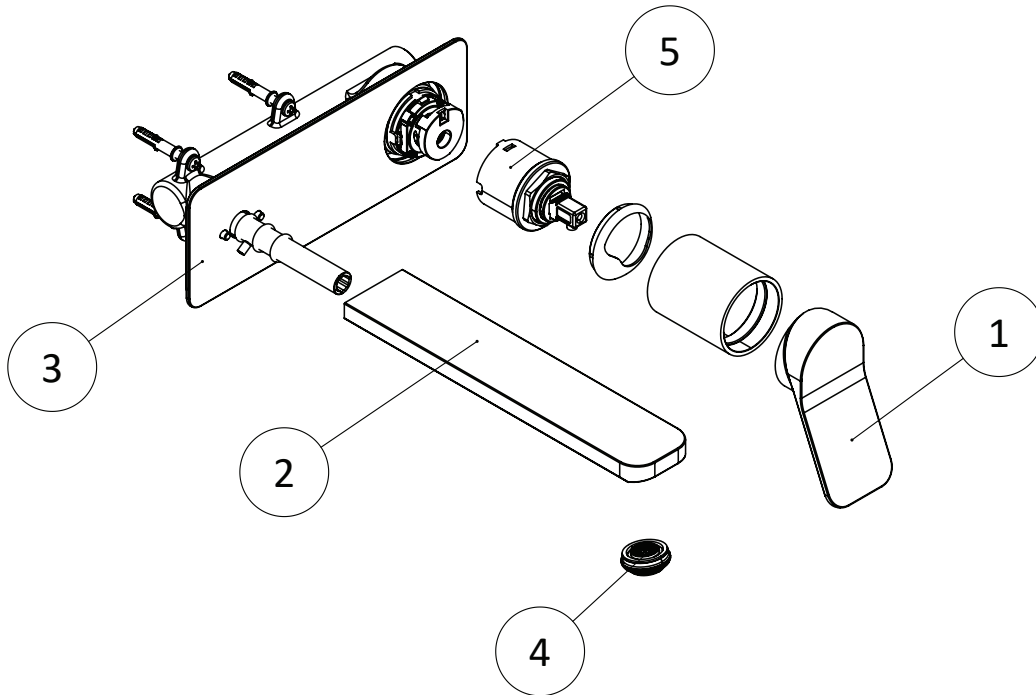
Dimensions in mm unless otherwise specified.

Tolerances (per material type) apply.



## SPARES LIST

Only the parts labelled are available as spares.



NUMBER	PART CODE	DESCRIPTION
1	A033140102	GD121WNV Brushed Stainless Steel Lever
	A033140101	GD121WNM Matt Black Lever
	A033140100	GD121WNC Chrome Lever
	A033140103	GD121WNF Brushed Brass Lever
2	A033140202	GD121WNV Brushed Stainless Steel Spout
	A033140201	GD121WNM Matt Black Spout
	A033140200	GD121WNC Chrome Spout
	A033140203	GD121WNF Brushed Brass Spout
3	A033140402	GD121WNV Brushed Stainless Steel Wall Plate
	A033140401	GD121WNM Matt Black Wall Plate
	A033140400	GD121WNC Chrome Wall Plate
	A033140403	GD121WNF Brushed Brass Wall Plate
4	B04001701	GD110/112/121 Aerator
5	B06004900	GD121 Cartridge