

PRODUCT DATA SHEET



PRODUCT CODE

GDHC001M

RANGE

Glide II

DESCRIPTION

Glide II Decorative Hinge Cover Matt Black

WEBSITE LINK

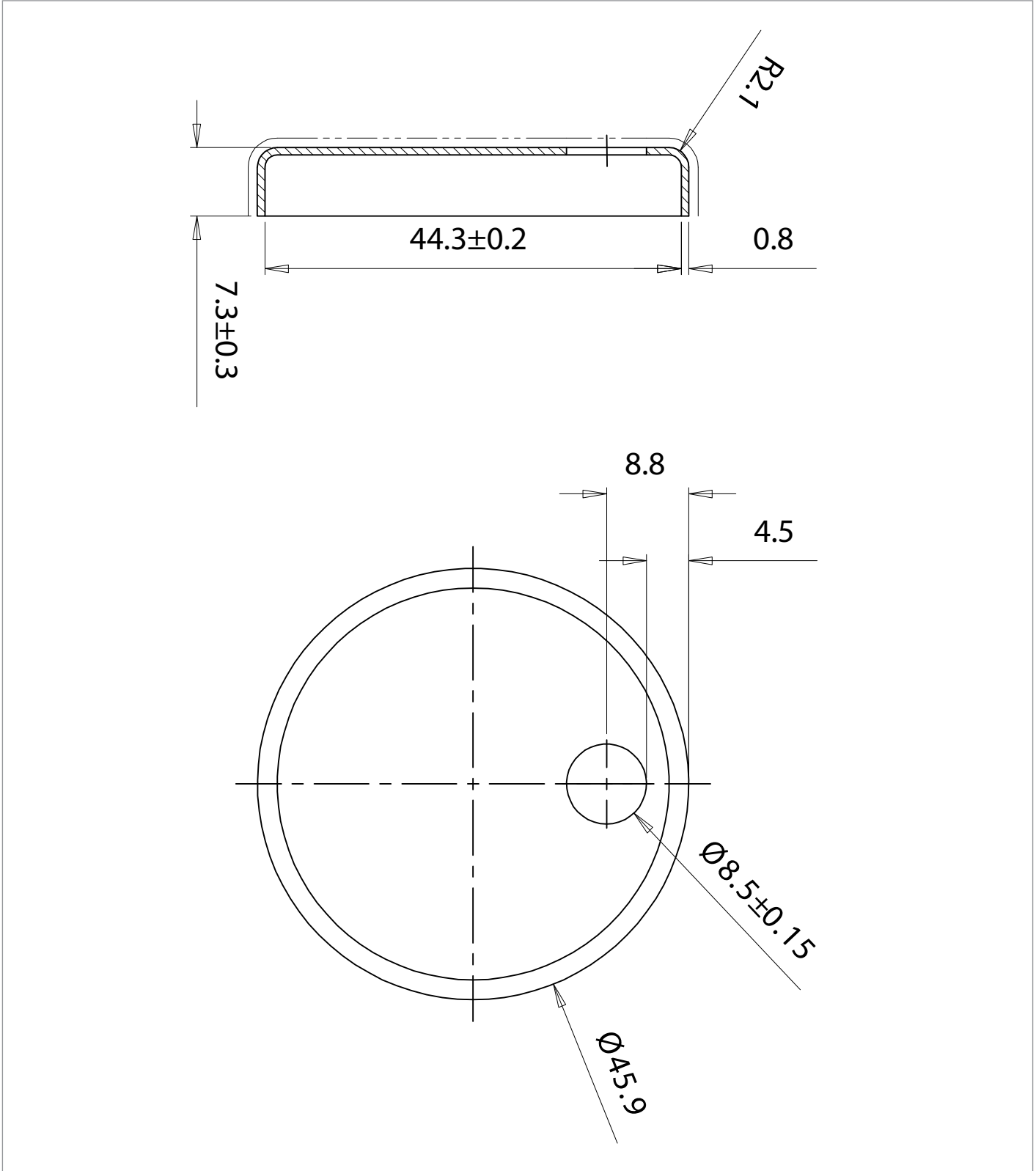
[Click Here](#)

CATEGORY	Sanitaryware
WARRANTY DETAILS	2 Years
COLOUR	Matt Black
FINISH APPLICATION	Powder Coated
PRIMARY MATERIAL	304 Stainless Steel
PRODUCT WIDTH MM	45.9
PRODUCT HEIGHT MM	7.3
PRODUCT LENGTH MM	45.9
PRODUCT NET WEIGHT KG	0.04

TECHNICAL DIMENSIONS

Dimensions in mm unless otherwise specified.

Tolerances (per material type) apply.



SPARES LIST

Only the parts labelled are available as spares.

NO SPARES AVAILABLE