

# PRODUCT DATA SHEET



## PRODUCT CODE

GDHC001V

## RANGE

Glide II

## DESCRIPTION

Glide II Decorative Hinge Cover  
Brushed Nickel

## WEBSITE LINK

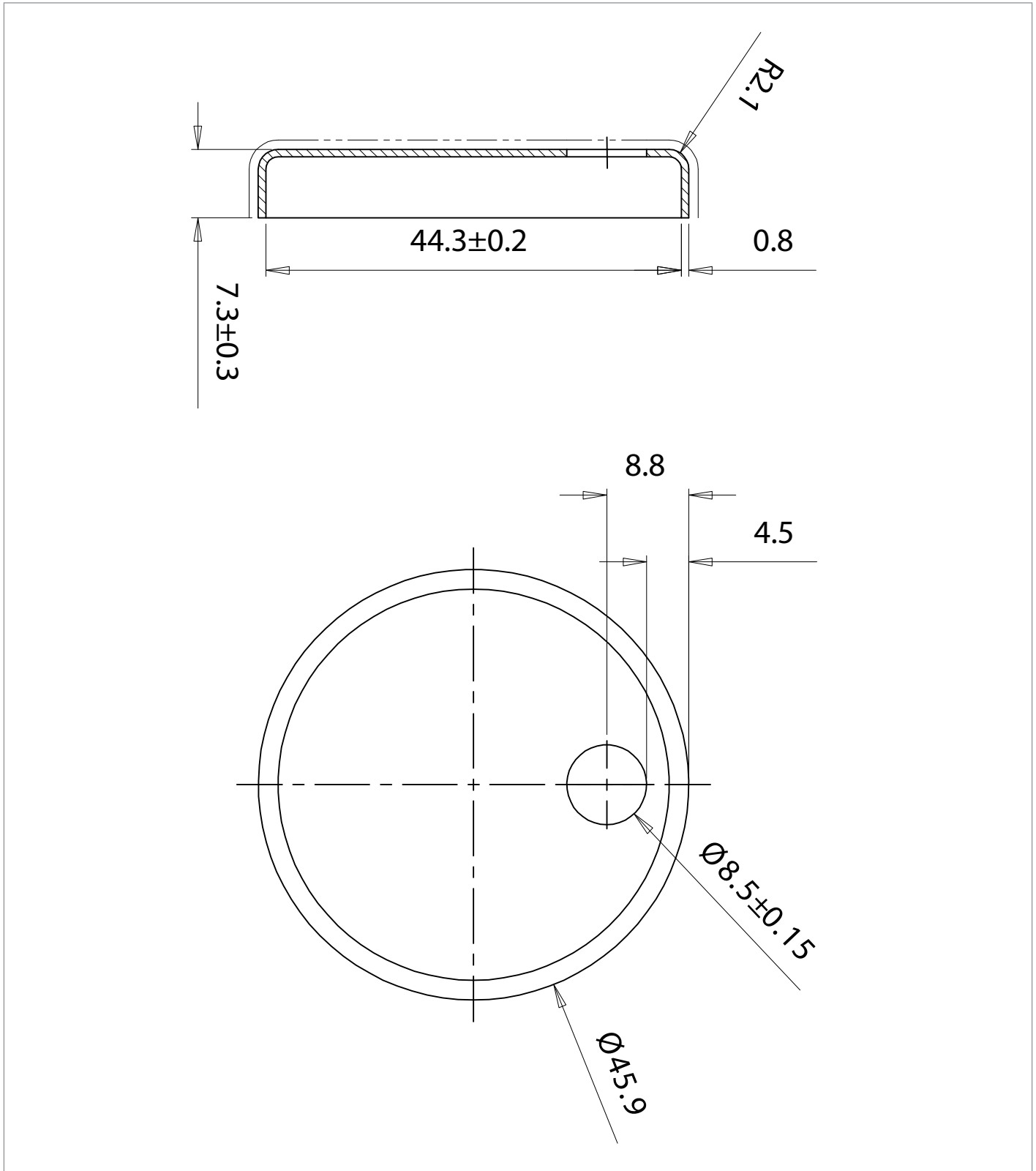
[Click Here](#)

CATEGORY	Sanitaryware
WARRANTY DETAILS	2 Years
COLOUR	Brushed Nickel
FINISH APPLICATION	Brushed
PRIMARY MATERIAL	304 Stainless Steel
PRODUCT WIDTH MM	45.9
PRODUCT HEIGHT MM	7.3
PRODUCT LENGTH MM	45.9
PRODUCT NET WEIGHT KG	0.04

## TECHNICAL DIMENSIONS

Dimensions in mm unless otherwise specified.

Tolerances (per material type) apply.



## SPARES LIST

Only the parts labelled are available as spares.

**NO SPARES AVAILABLE**