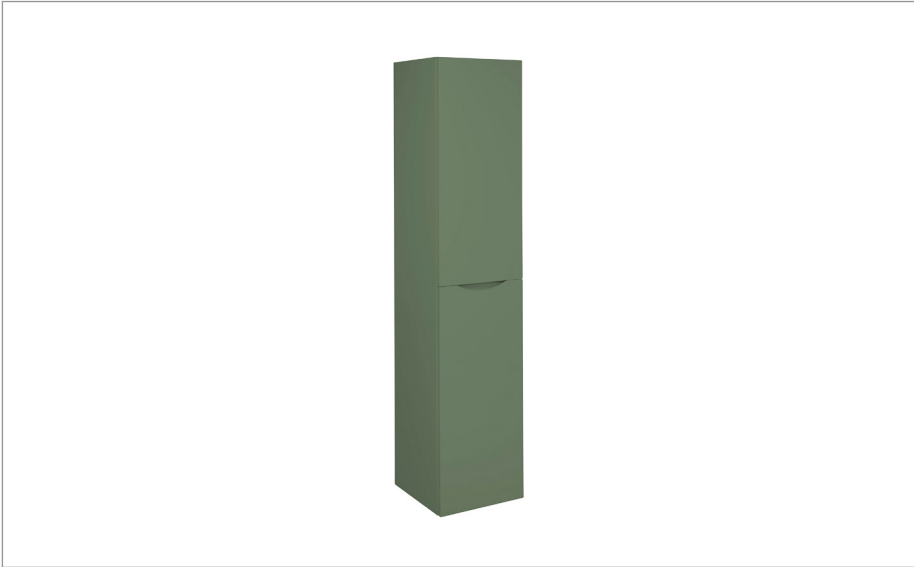


# PRODUCT DATA SHEET



## PRODUCT CODE

GL3516F2SGR

## RANGE

Glide II

## DESCRIPTION

Glide II Tower Unit Sage Green

## WEBSITE LINK

[Click Here](#)

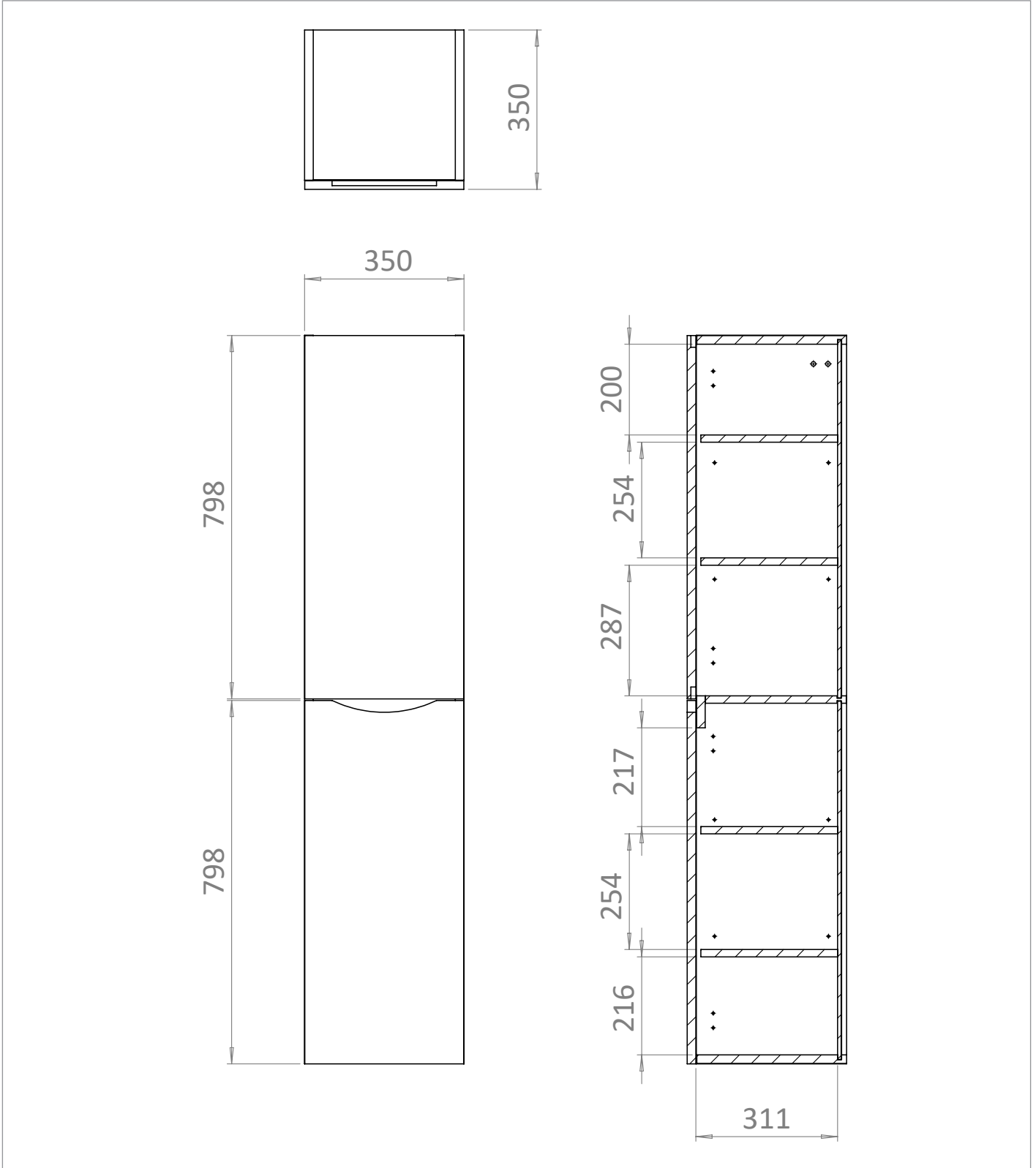
CATEGORY	Furniture
WARRANTY DETAILS	10 Years
COLOUR	Sage Green
FINISH APPLICATION	Lacquered
PRIMARY MATERIAL	MDF
INSTALL TYPE	Wall Mounted
PRODUCT WIDTH MM	350
PRODUCT HEIGHT MM	1600
PRODUCT DEPTH MM	350
PRODUCT NET WEIGHT KG	22

STANDARDS	EN 13986/ EN 14749
COLOUR CODE / REFERENCE	RAL 7032
WALL HANGERS	Yes
ADJUSTABLE FEET	No
DRAWER OPERATION	Soft close/pull to open

## TECHNICAL DIMENSIONS

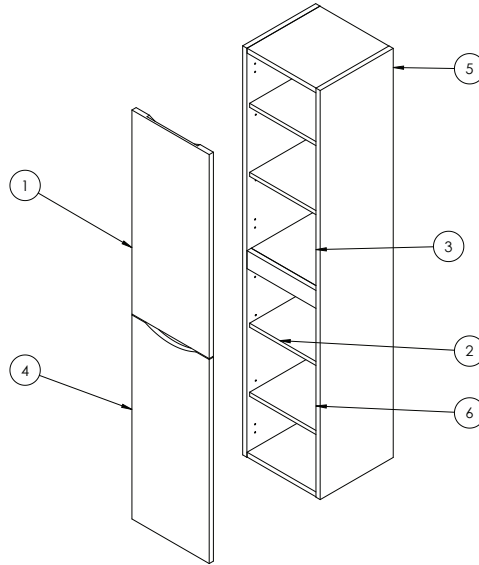
Dimensions in mm unless otherwise specified.

Tolerances (per material type) apply.



## SPARES LIST

Only the parts labelled are available as spares.



NUMBER	PART CODE	DESCRIPTION
1	TD_3516GLFST_V2	Top Drawer Front GL3516FST+
	TD_3516GLFBM	Glide II Tower Top Door - Matt Black
	TD_3516GLFWO_V2	Top Door GL3516FWO+
	TD_3516GLFWG	Top Door GL3516FWG
	TD_3516GLFSGR	Glide II Tower Top Door Sage Green
	TD_3516GLFWS	Glide II Tower Top Door Warm Stone
2	SH_3516GL	Replacement Shelf GL3516
3	DOHI_TOPGL3516F_V2	Top Door Soft Close Hinge X2 for GL3516F
4	BD_3516GLFST_V2	Bottom Door Front GL3516FST+
	BD_3516GLFBM	Glide II Tower Bot Door - Matt Black
	BD_3516GLFWO_V2	Bottom Door GL3516FWO+
	BD_3516GLFWG	Bottom Door GL3516FWG
	BD_3516GLFSGR	Glide II Tower Bottom Door Sage Green
	BD_3516GLFWS	Glide II Tower Bottom Door Warm Stone
5	WB875ACZ10047	Wall Bracket x2 GL3516F+
6	DOHI_LOWERGL3516F_V2	Lower Door Soft Close Hinge X2 for GL351