

# PRODUCT DATA SHEET



## PRODUCT CODE

GRBRACKPSS

## RANGE

Gallery

## DESCRIPTION

Gallery Glass Glass Bracket Chrome

## WEBSITE LINK

[Click Here](#)

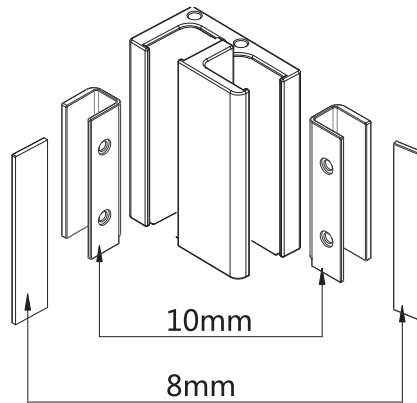
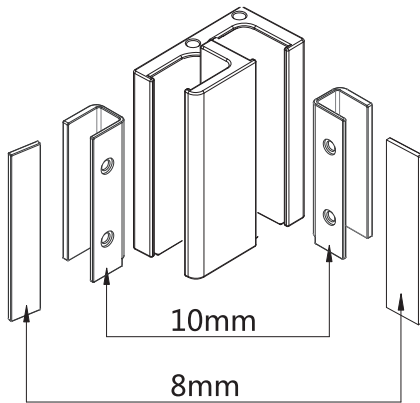
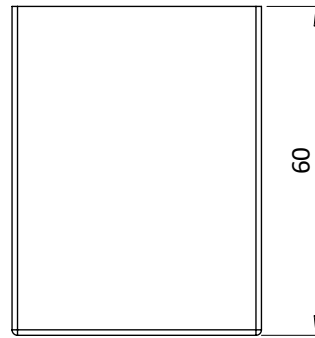
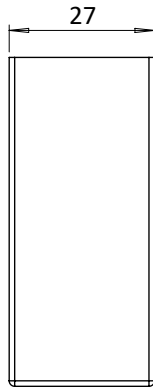
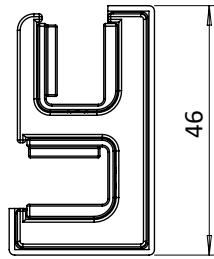
CATEGORY	Showering
WARRANTY DETAILS	2 Years
COLOUR	Chrome
PRIMARY MATERIAL	304 Stainless Steel
INSTALL TYPE	Wall Mounted
PRODUCT WIDTH MM	45.5
PRODUCT HEIGHT MM	60
PRODUCT LENGTH MM	26.5
PRODUCT NET WEIGHT KG	0.5

STANDARDS	EN14428
DOOR A INFORMATION	Gallery accessories

## TECHNICAL DIMENSIONS

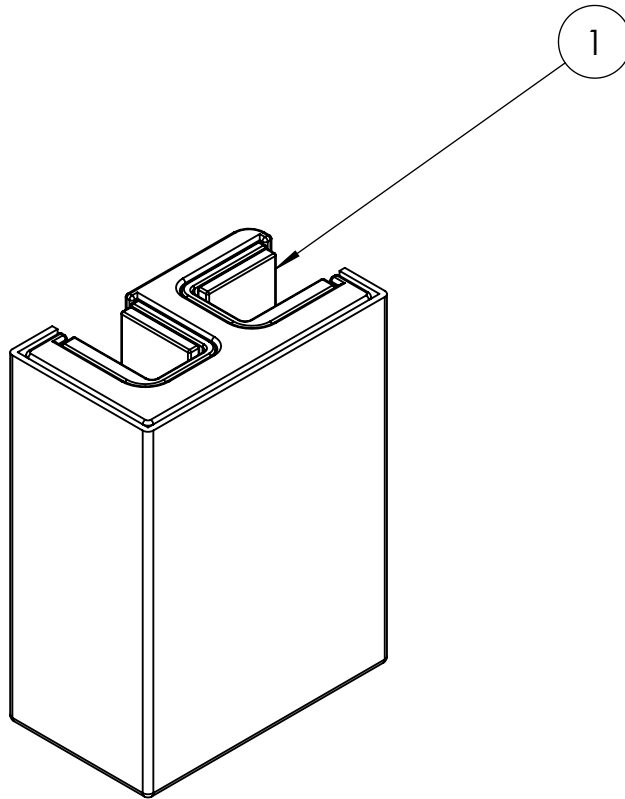
Dimensions in mm unless otherwise specified.

Tolerances (per material type) apply.



## SPARES LIST

Only the parts labelled are available as spares.



NUMBER	PART CODE	DESCRIPTION
1	GR000007	Gallery Glass Bracket Gaskets