

PRODUCT DATA SHEET



PRODUCT CODE

KL7005CW_V2

RANGE

Kai

DESCRIPTION

Kai Cistern & Mechanism

WEBSITE LINK

[Click Here](#)

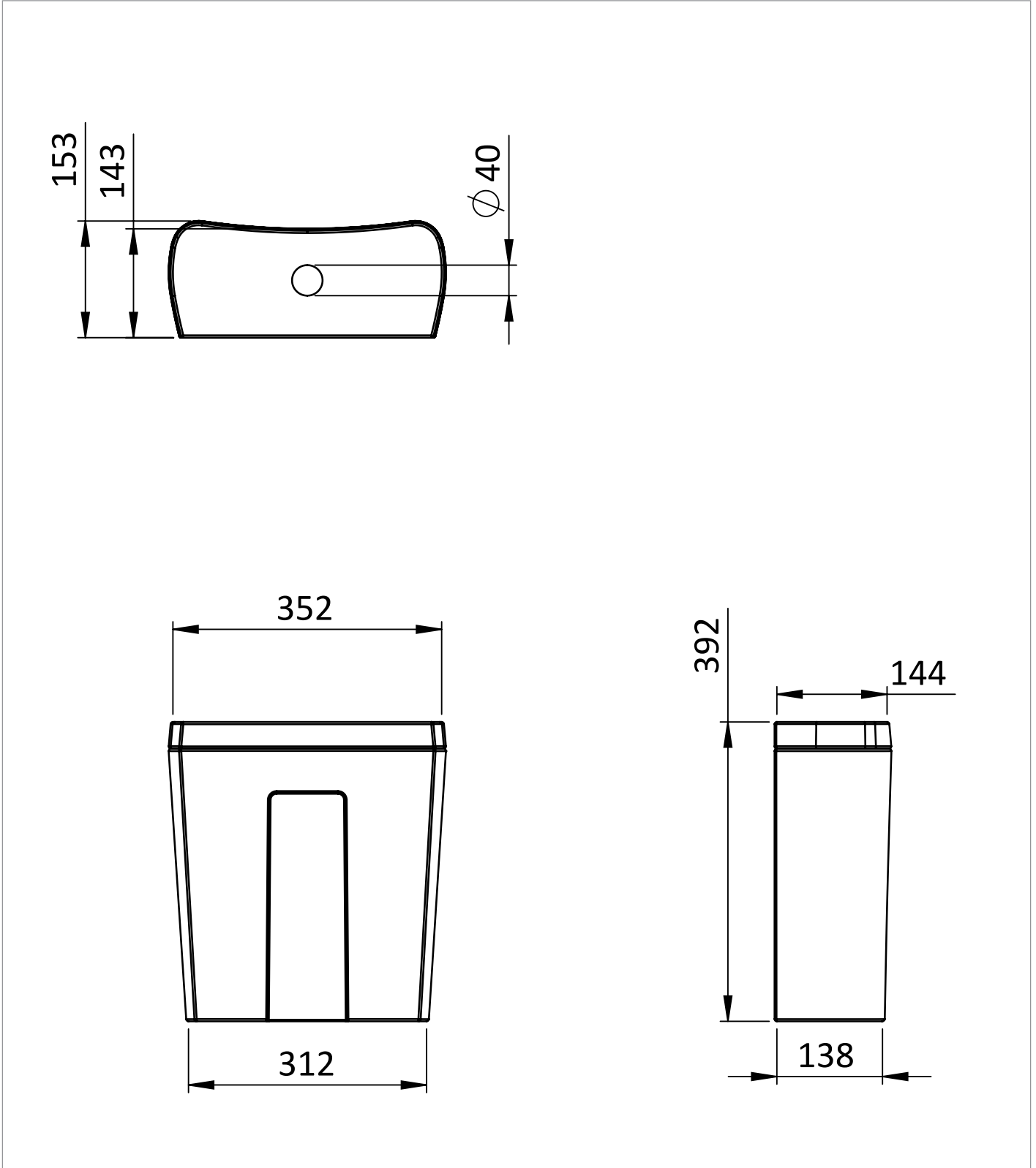
CATEGORY	Sanitaryware
WARRANTY DETAILS	Lifetime
COLOUR	Gloss White
FINISH APPLICATION	Glazed
PRIMARY MATERIAL	Vitreous China
SECONDARY MATERIAL	Plastic
INSTALL TYPE	Bottom Inlet and O/F
PRODUCT WIDTH MM	352
PRODUCT HEIGHT MM	392
PRODUCT LENGTH MM	153
PRODUCT NET WEIGHT KG	11

STANDARDS	EN 997 - CL1 - 6 - VR11
FIXINGS INCLUDED	Yes
FLUSH VOLUME	4,5/3
FIXING TYPE	Top Fix
CISTERN FLUSH MECHANISM	YES (DUAL FLUSH - WRAS)
NOISE CLASS	Noise Class I

TECHNICAL DIMENSIONS

Dimensions in mm unless otherwise specified.

Tolerances (per material type) apply.



SPARES LIST

Only the parts labelled are available as spares.

--