

PRODUCT DATA SHEET



PRODUCT CODE

KLHC001C

RANGE

Kai

DESCRIPTION

Kai Decorative Hinge Cover Chrome

WEBSITE LINK

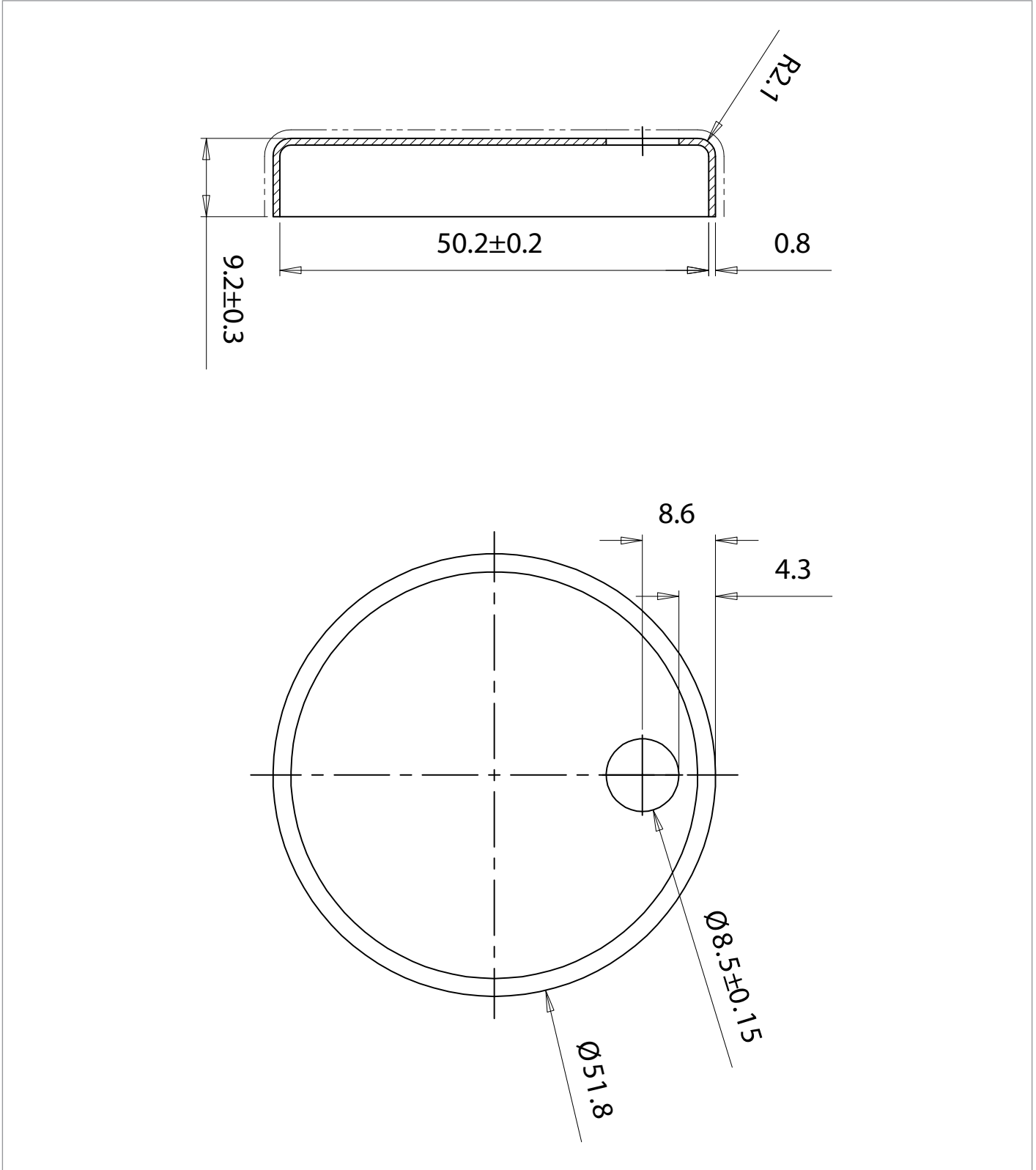
[Click Here](#)

CATEGORY	Sanitaryware
WARRANTY DETAILS	2 Years
COLOUR	Chrome
FINISH APPLICATION	Polished
PRIMARY MATERIAL	304 Stainless Steel
PRODUCT WIDTH MM	51.8
PRODUCT HEIGHT MM	9.2
PRODUCT LENGTH MM	51.8
PRODUCT NET WEIGHT KG	0.04

TECHNICAL DIMENSIONS

Dimensions in mm unless otherwise specified.

Tolerances (per material type) apply.



SPARES LIST

Only the parts labelled are available as spares.

NO SPARES AVAILABLE