

# PRODUCT DATA SHEET



## PRODUCT CODE

KLHC001M

## RANGE

Kai

## DESCRIPTION

Kai Decorative Hinge Cover Matt Black

## WEBSITE LINK

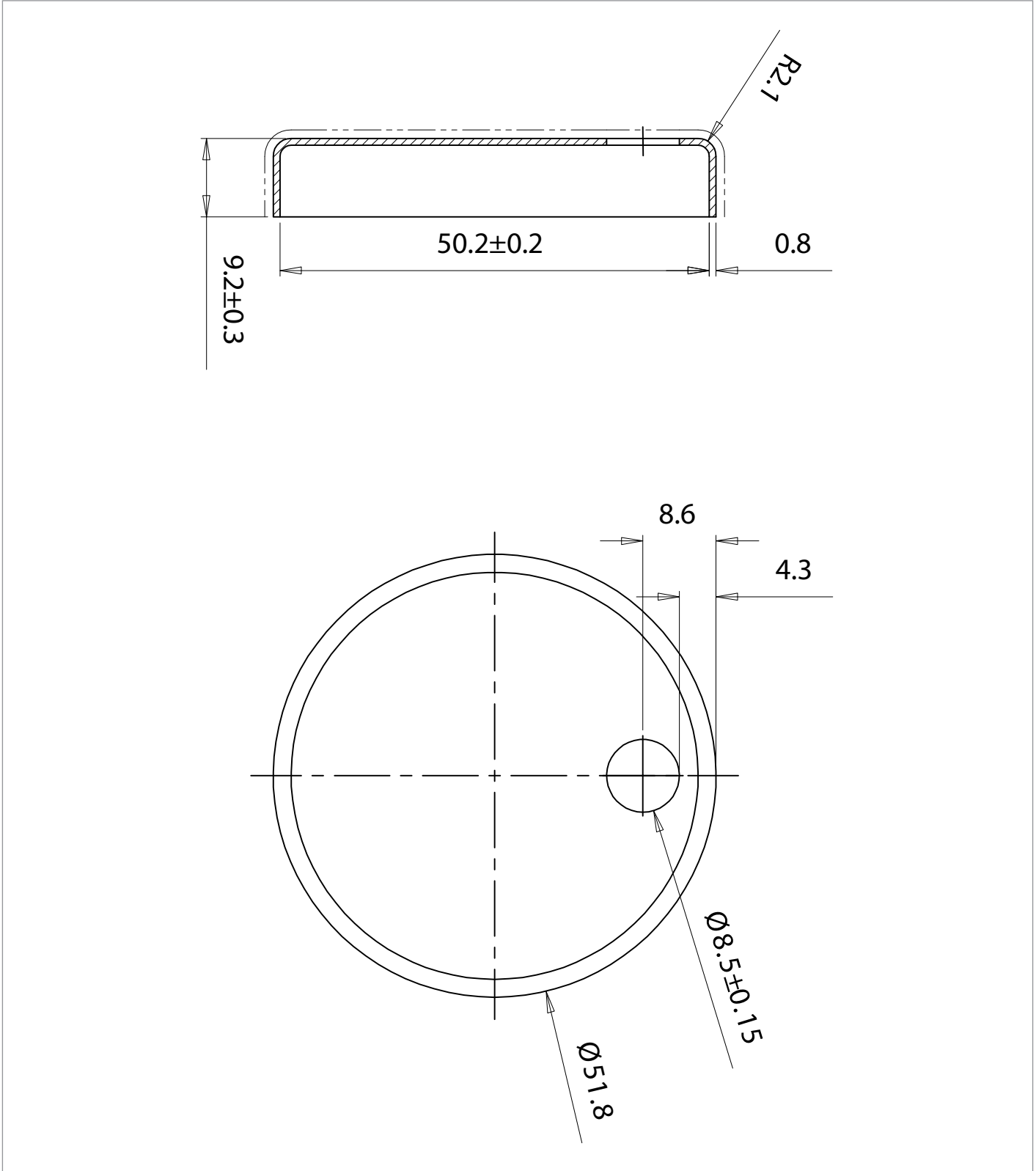
[Click Here](#)

CATEGORY	Sanitaryware
WARRANTY DETAILS	2 Years
COLOUR	Matt Black
FINISH APPLICATION	Powder Coated
PRIMARY MATERIAL	304 Stainless Steel
PRODUCT WIDTH MM	51.8
PRODUCT HEIGHT MM	9.2
PRODUCT LENGTH MM	51.8
PRODUCT NET WEIGHT KG	0.04

## TECHNICAL DIMENSIONS

Dimensions in mm unless otherwise specified.

Tolerances (per material type) apply.



## SPARES LIST

Only the parts labelled are available as spares.

NO SPARES AVAILABLE