

# PRODUCT DATA SHEET



## PRODUCT CODE

MBFU110P\_V2

## RANGE

Fusion

## DESCRIPTION

Fusion Basin Monobloc with Click Clack Waste Chrome

## WEBSITE LINK

[Click Here](#)

|                            |               |
|----------------------------|---------------|
| CATEGORY                   | Brassware     |
| WARRANTY DETAILS           | 15 Years      |
| COLOUR                     | Chrome        |
| FINISH APPLICATION         | Electroplated |
| PRIMARY MATERIAL           | Brass         |
| INSTALL TYPE               | Deck Mounted  |
| PRODUCT WIDTH MM           | 50            |
| PRODUCT HEIGHT MM          | 161           |
| PRODUCT DEPTH MM           | 151           |
| PRODUCT NET WEIGHT KG      | 1.19          |
| MINIMUM PRESSURE (BAR)     | 0.2           |
| MAX WORKING PRESSURE (BAR) | 5             |

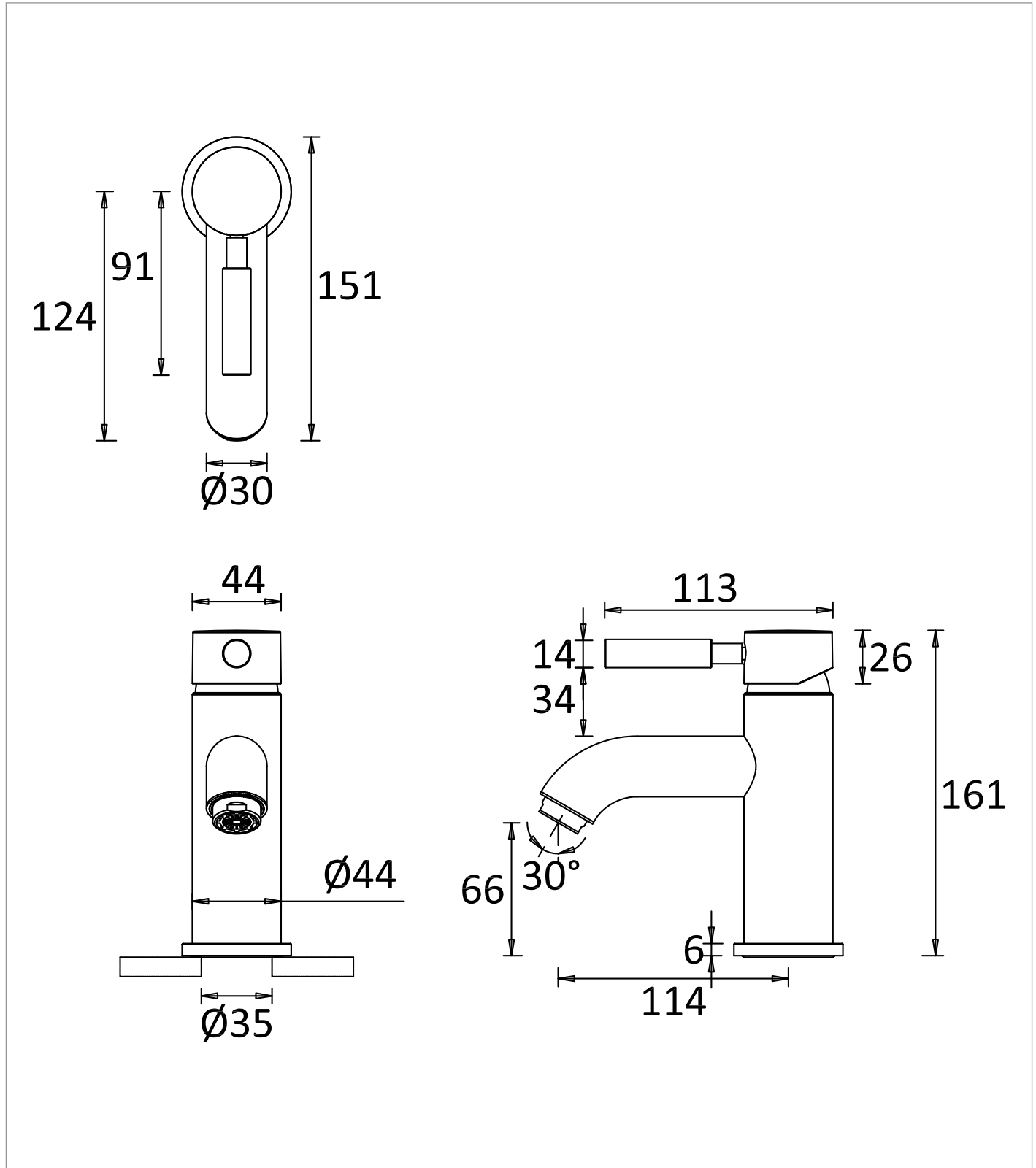
|                          |                                     |
|--------------------------|-------------------------------------|
| STANDARDS                | BS EN 817:2008                      |
| NUMBER OF OUTLETS        | 1                                   |
| NUMBER OF FUNCTIONS      | 1                                   |
| HEADWORK                 | 35mm Single lever ceramic cartridge |
| SPOUT PROJECTION         | 114                                 |
| SWIVEL SPOUT             | No                                  |
| INLET CONNECTIONS THREAD | G1/2"                               |
| FLOW REGULATOR           | Neoperl aerator                     |
| WASTE INCLUDED           | Yes                                 |
| ANTI-SCALD               | No                                  |
| ENERGY SAVING            | No                                  |

| PRESSURE (BAR)      | 0.2 | 0.5 | 1   | 2    | 3    | 4 | 5    |
|---------------------|-----|-----|-----|------|------|---|------|
| PRIMARY FLOWRATE    | 5.9 | 8.5 | 9.4 | 11.9 | 16.7 |   | 20.6 |
| HANDSET FLOWRATE    |     |     |     |      |      |   |      |
| MASSAGE FLOW RATE   |     |     |     |      |      |   |      |
| AIR FLOW RATE       |     |     |     |      |      |   |      |
| WIRE FLOW RATE      |     |     |     |      |      |   |      |
| WATERFALL FLOW RATE |     |     |     |      |      |   |      |
| MIST FLOW RATE      |     |     |     |      |      |   |      |
| HANDSPRAY FLOW RATE |     |     |     |      |      |   |      |

## TECHNICAL DIMENSIONS

Dimensions in mm unless otherwise specified.

Tolerances (per material type) apply.



## SPARES LIST

Only the parts labelled are available as spares.

| NUMBER | PART CODE | DESCRIPTION                        |
|--------|-----------|------------------------------------|
| 1      | MB1023    | 35mm Ceramic Cartridge (Non click) |
| 2      | MB1055    | Fusion Basin Base Ring             |