

PRODUCT DATA SHEET



PRODUCT CODE

MBFU430W

RANGE

Fusion

DESCRIPTION

Fusion Bath Filler Wall Mounted
Chrome

WEBSITE LINK

[Click Here](#)

CATEGORY	Brassware
WARRANTY DETAILS	15 Years
COLOUR	Chrome
FINISH APPLICATION	Electroplated
PRIMARY MATERIAL	Brass
INSTALL TYPE	Wall Mounted
PRODUCT WIDTH MM	300
PRODUCT DEPTH MM	236
PRODUCT NET WEIGHT KG	1.97
MINIMUM PRESSURE (BAR)	0.2
MAX WORKING PRESSURE (BAR)	5

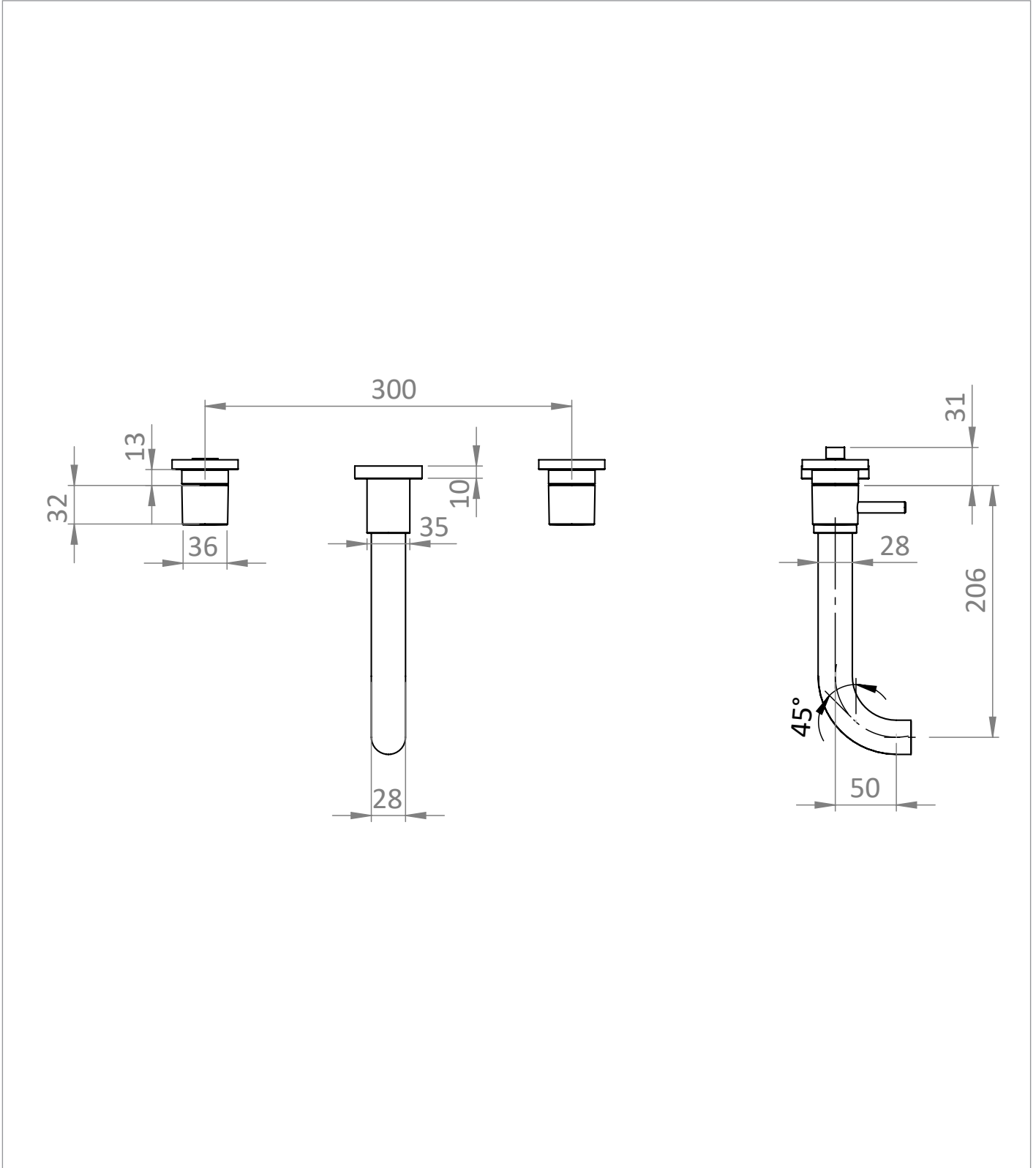
STANDARDS	BS EN 200:2008
NUMBER OF OUTLETS	1
NUMBER OF FUNCTIONS	1
HEADWORK	3/4" Quarter turn ceramic cartridge
SPOUT PROJECTION	236
SWIVEL SPOUT	No
INLET CONNECTIONS THREAD	G3/4"
FLOW REGULATOR	Neoperl aerator
WASTE INCLUDED	No
ANTI-SCALD	No
ENERGY SAVING	No

PRESSURE (BAR)	0.2	0.5	1	2	3	4	5
PRIMARY FLOWRATE	10.1	15.1	20.8	29.1	35.6	45.5	
HANDSET FLOWRATE							
MASSAGE FLOW RATE							
AIR FLOW RATE							
WIRE FLOW RATE							
WATERFALL FLOW RATE							
MIST FLOW RATE							
HANDSPRAY FLOW RATE							

TECHNICAL DIMENSIONS

Dimensions in mm unless otherwise specified.

Tolerances (per material type) apply.



SPARES LIST

Only the parts labelled are available as spares.

NUMBER	PART CODE	DESCRIPTION
1	MB1131	3/4" Quarter Turn Ceramic Valve Cold
2	MB1130	3/4" Quarter Turn Ceramic Valve Hot