

# PRODUCT DATA SHEET



## PRODUCT CODE

MP48X93F

## RANGE

MPRO

## DESCRIPTION

MPRO Towel Warmer 430x900 Brushed Brass

## WEBSITE LINK

[Click Here](#)

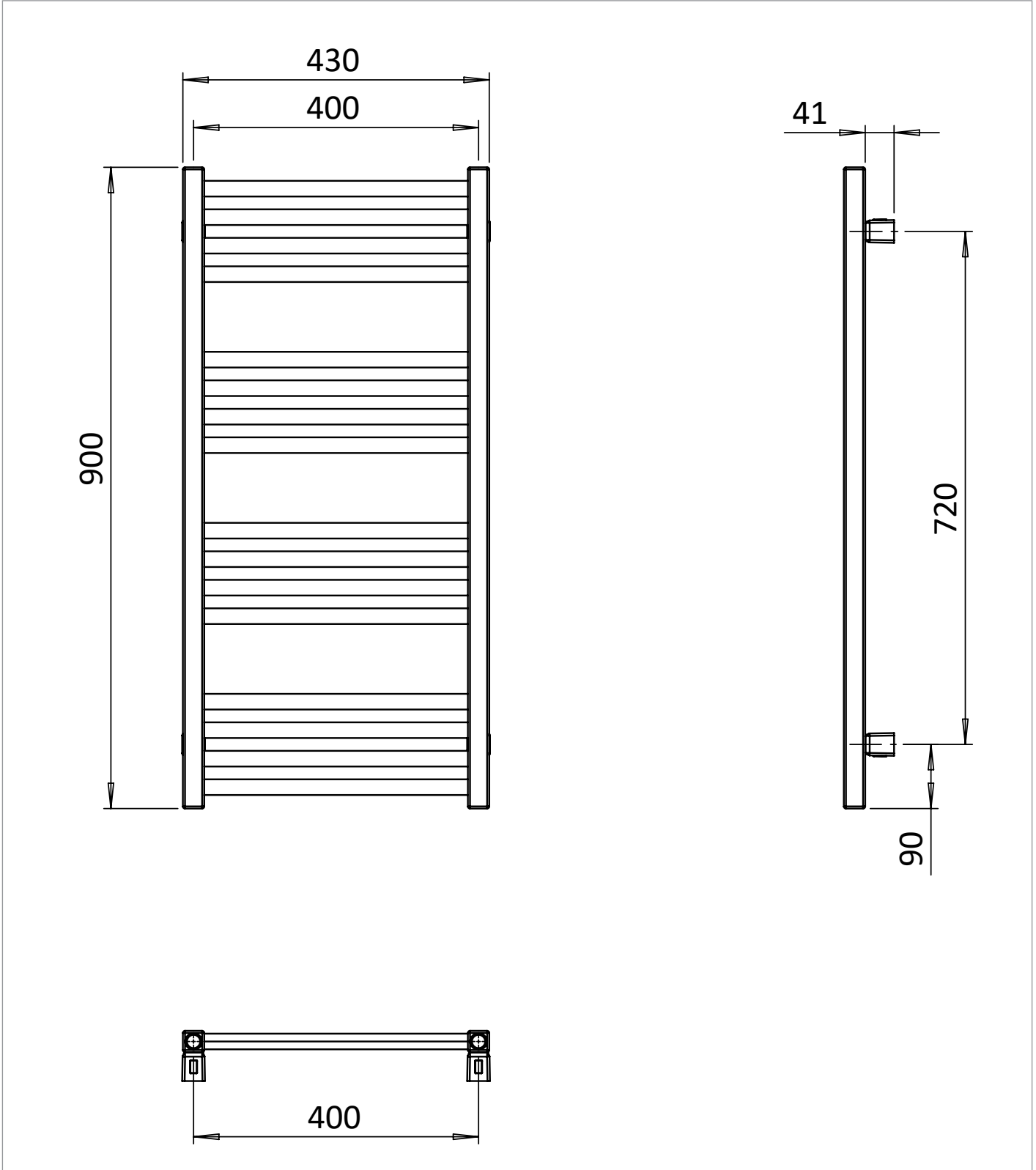
CATEGORY	Heating
WARRANTY DETAILS	15 Years
COLOUR	Brushed Brass
FINISH APPLICATION	Lacquered
PRIMARY MATERIAL	Steel
INSTALL TYPE	Wall Mounted
PRODUCT WIDTH MM	430
PRODUCT HEIGHT MM	900
PRODUCT DEPTH MM	40
PRODUCT NET WEIGHT KG	6.32

STANDARDS	BS EN 442-1:2014
INLET CONNECTIONS THREAD HEATING	1/2" BSP
OUTPUT (WATTS)	342
TEMPERATURE RANGE	95
FUEL TYPE	Central heating/Dual fuel
PIPE CENTRES	400
PROJECTION	80
TUBE	f122
MAX WORKING PRESSURE	1000
BAR COUNT	16
CUBIC CAPACITY	3.08
FULLY FILLED WEIGHT KG	6.32

## TECHNICAL DIMENSIONS

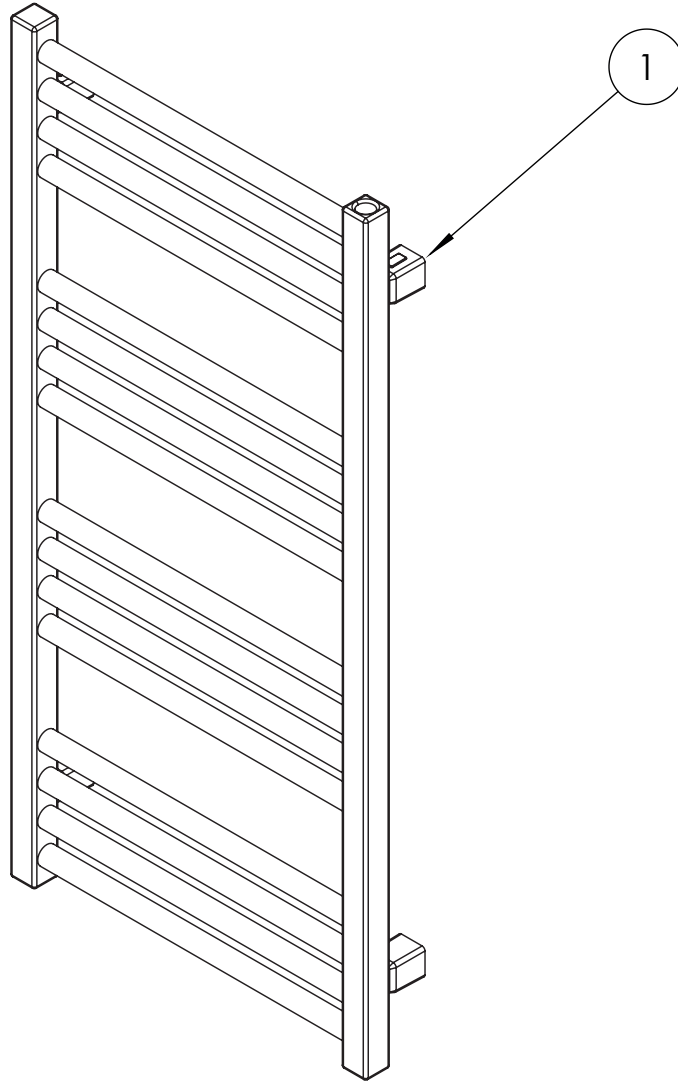
Dimensions in mm unless otherwise specified.

Tolerances (per material type) apply.



## SPARES LIST

Only the parts labelled are available as spares.



NUMBER	PART CODE	DESCRIPTION
1	WRKMKP001-KRBA	MPRO Rail Fitting Pack Brushed Brass
	WRKMKP001-KS95	MPRO Rail Fitting Pack Matt Black
	WRKMK001_KS96	MPRO Rail Fitting Pack Matt White
	WRKMKP001_KRAW	MPRO Rail Fitting Pack Slate Effect
	WRKMKP001_KCBR	MPRO Rail Fitting Pack Brushed Bronze Effect