

# PRODUCT DATA SHEET



## PRODUCT CODE

MP48X93MWELEC

## RANGE

MPRO

## DESCRIPTION

MPRO Towel Warmer 430x900 All Electric Right Hand Matt White

## WEBSITE LINK

[Click Here](#)

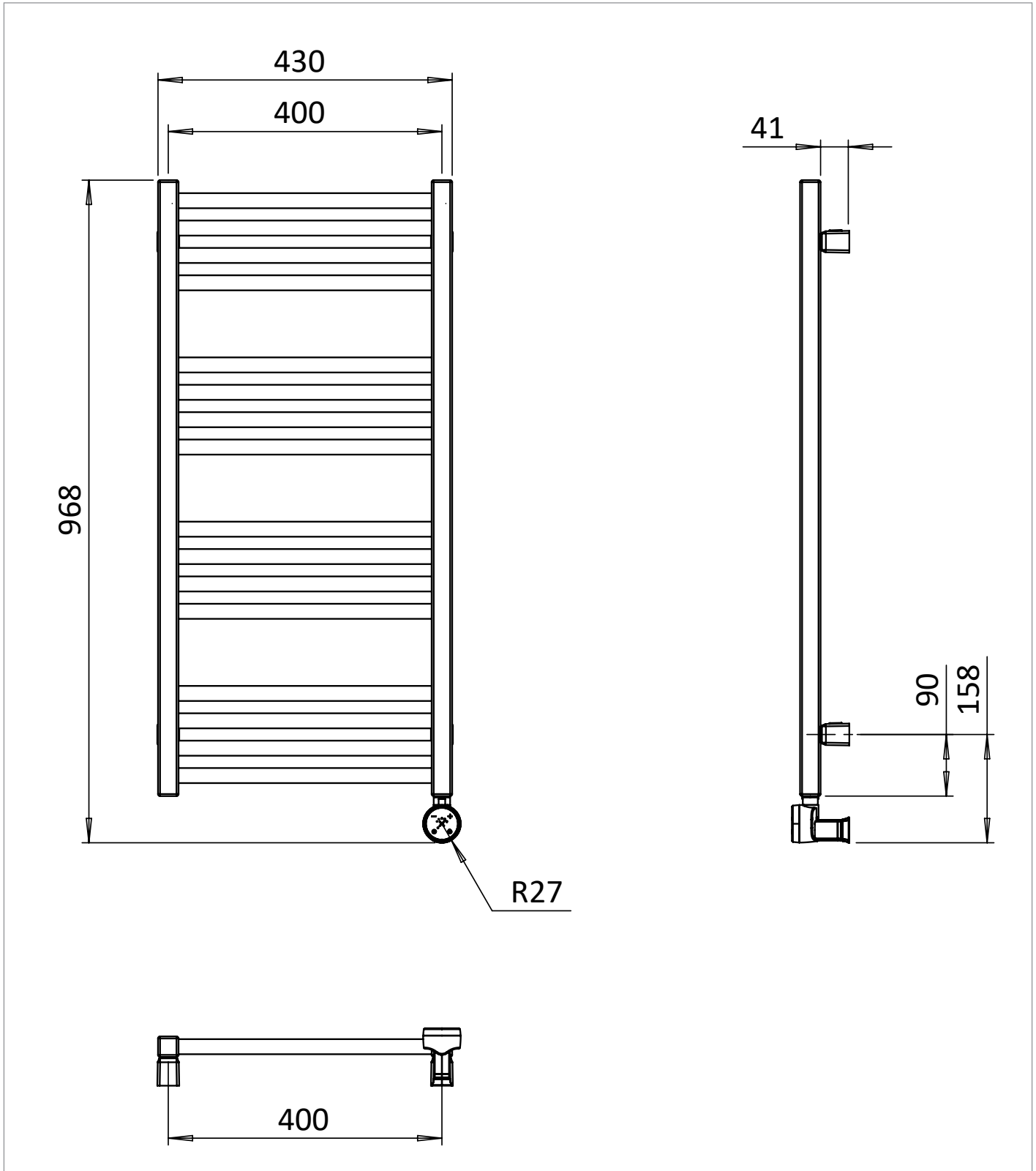
CATEGORY	Heating
WARRANTY DETAILS	5 years
COLOUR	Matt White
FINISH APPLICATION	Powder Coated
PRIMARY MATERIAL	Steel
INSTALL TYPE	Wall Mounted
PRODUCT WIDTH MM	430
PRODUCT HEIGHT MM	968
PRODUCT DEPTH MM	40
PRODUCT NET WEIGHT KG	10

STANDARDS	BS EN 60335-1:2012
INLET CONNECTIONS THREAD HEATING	1/2" BSP
OUTPUT (WATTS)	400
TEMPERATURE RANGE	82
CUT OUT TEMPERATURE	65
IP RATING HEATING	Class 1 IPx5
FUEL TYPE	All Electric Oil Filled
PIPE CENTRES	400
PROJECTION	80
TUBE	fi22
MAX WORKING PRESSURE	1000
BAR COUNT	16
CUBIC CAPACITY	3.08
FULLY FILLED WEIGHT KG	10
COLOUR CODE / REFERENCE	RAL9016

## TECHNICAL DIMENSIONS

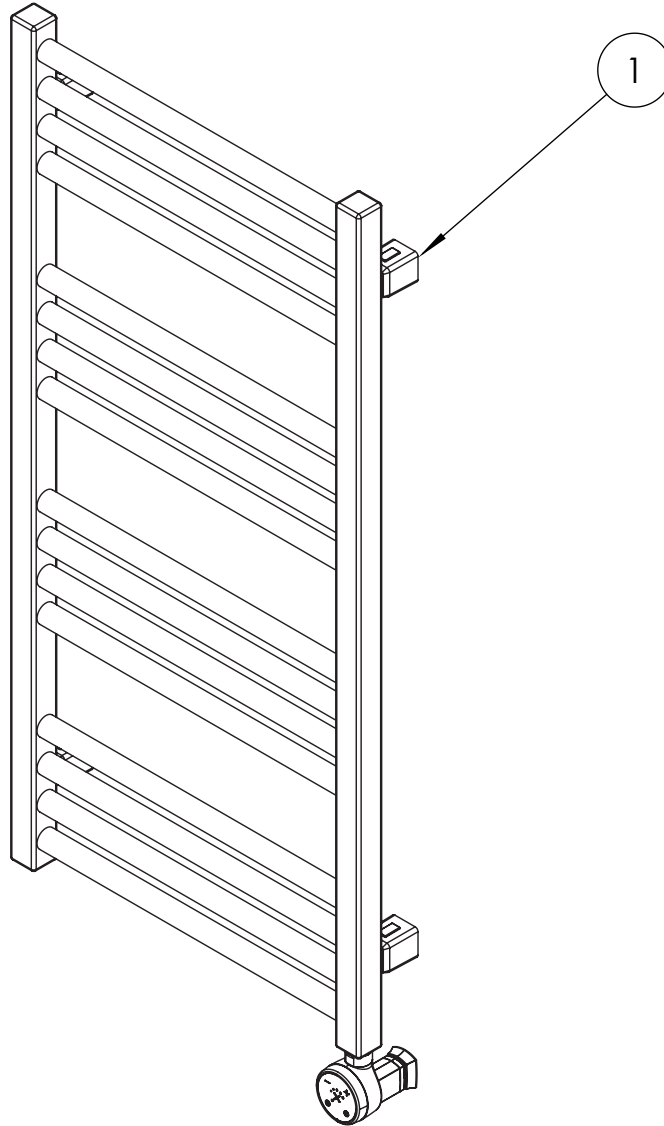
Dimensions in mm unless otherwise specified.

Tolerances (per material type) apply.



## SPARES LIST

Only the parts labelled are available as spares.



NUMBER	PART CODE	DESCRIPTION
1	WRKMKP001-KRBA	MPRO Rail Fitting Pack Brushed Brass
	WRKMKP001-KS95	MPRO Rail Fitting Pack Matt Black
	WRKMK001_KS96	MPRO Rail Fitting Pack Matt White
	WRKMKP001_KRAW	MPRO Rail Fitting Pack Slate Effect
	WRKMKP001_KCBB	MPRO Rail Fitting Pack Brushed Bronze Effect