

PRODUCT DATA SHEET



PRODUCT CODE

MPNI5070F

RANGE

MPRO

DESCRIPTION

MPRO Non-Illuminated Mirror 500 x 700mm Brushed Brass

WEBSITE LINK

[Click Here](#)

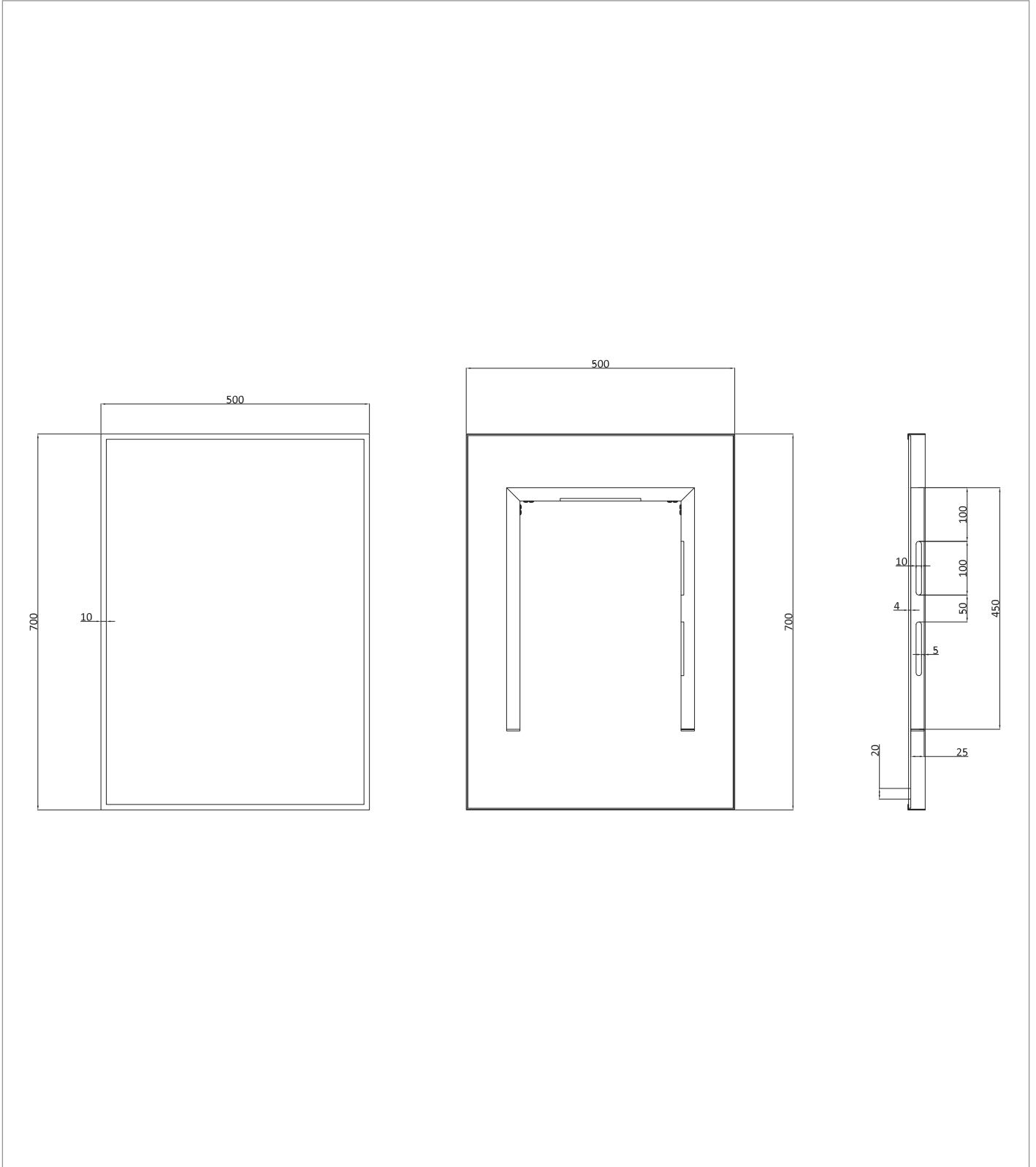
CATEGORY	Cabinets & Mirrors
WARRANTY DETAILS	5 Years
COLOUR	Brushed Brass
FINISH APPLICATION	PVD
PRIMARY MATERIAL	Glass
SECONDARY MATERIAL	304 Stainless Steel
INSTALL TYPE	Wall Mounted
PRODUCT WIDTH MM	500
PRODUCT HEIGHT MM	700
PRODUCT LENGTH MM	30
PRODUCT DEPTH MM	32
PRODUCT NET WEIGHT KG	6.32

STANDARDS	EN60598,EN60529,EN62558
HANDING MIRROR & CABINETS	Universal
TEMPERATURE CHANGING	No
SHELVES ADJUSTABLE	No
SHAVER SOCKET INCLUDED	No
CABLE LENGTH (MM)	1000
ENERGY RATING	E
DIMMABLE	No
DE-MISTER WATTAGE	21.87W
IP RATING HEATING	IP44

TECHNICAL DIMENSIONS

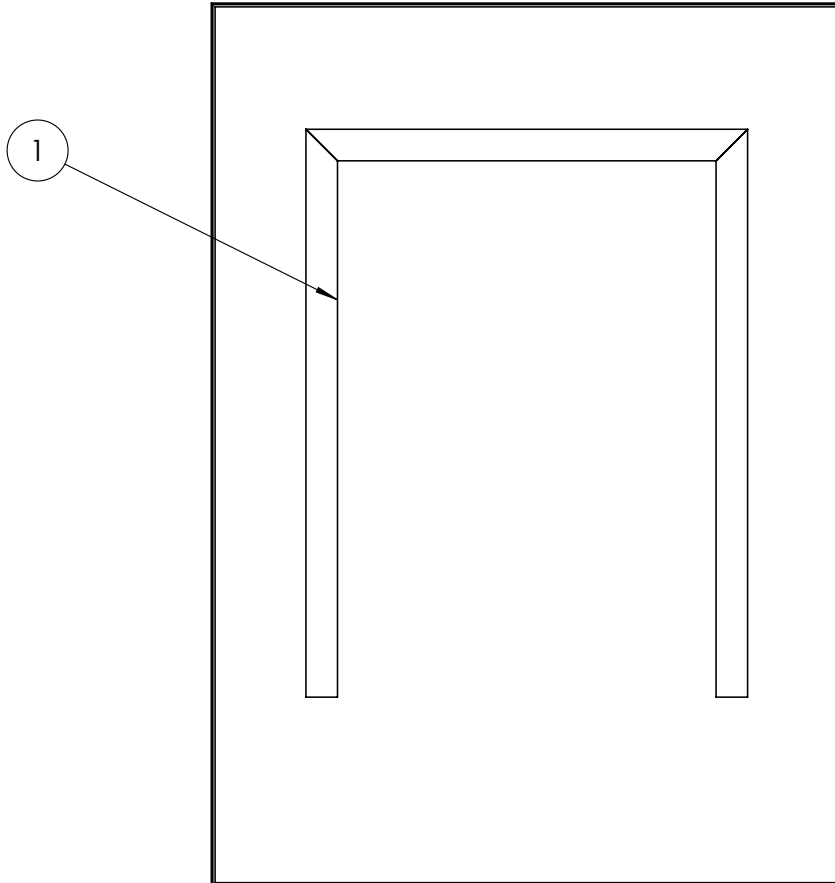
Dimensions in mm unless otherwise specified.

Tolerances (per material type) apply.



SPARES LIST

Only the parts labelled are available as spares.



NUMBER	PART CODE	DESCRIPTION
1	MIRRORFIX	Fix Screw Pack Keyhole Mirror Fix