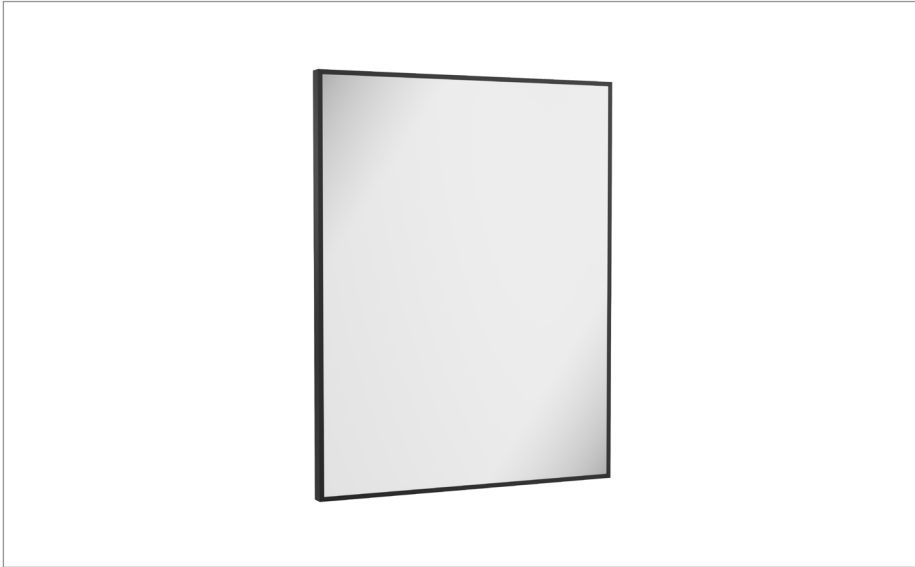


PRODUCT DATA SHEET



PRODUCT CODE

MPNI7090MB

RANGE

MPRO

DESCRIPTION

MPRO Non-Illuminated Mirror 700 x 900mm Matt Black

WEBSITE LINK

[Click Here](#)

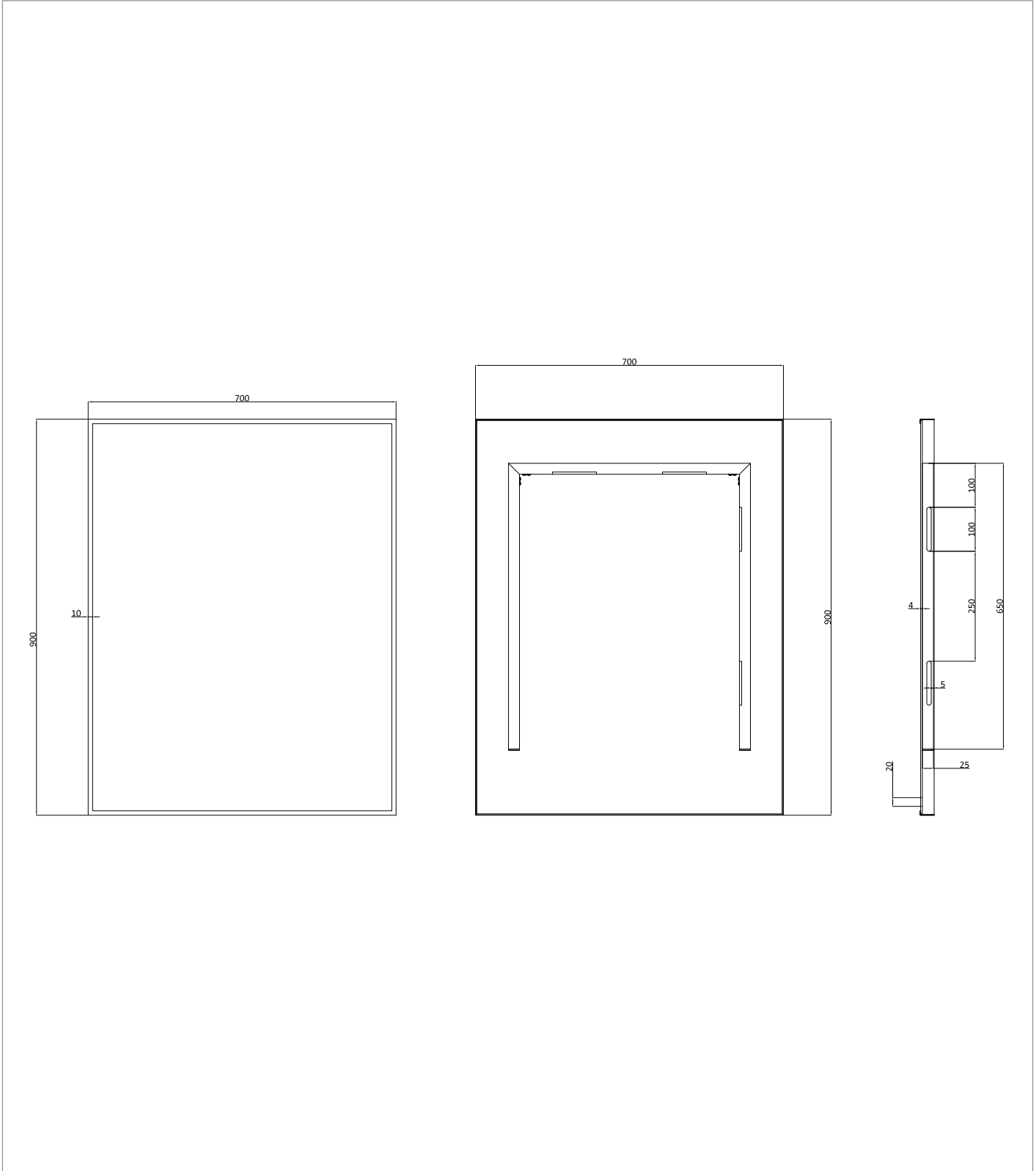
CATEGORY	Cabinets & Mirrors
WARRANTY DETAILS	5 Years
COLOUR	Matt Black
FINISH APPLICATION	Powder Coated
PRIMARY MATERIAL	Glass
SECONDARY MATERIAL	304 Stainless Steel
INSTALL TYPE	Wall Mounted
PRODUCT WIDTH MM	700
PRODUCT HEIGHT MM	900
PRODUCT LENGTH MM	30
PRODUCT DEPTH MM	32
PRODUCT NET WEIGHT KG	7.8

STANDARDS	EN60598,EN60529,EN62566
HANDING MIRROR & CABINETS	Universal
TEMPERATURE CHANGING	No
SHELVES ADJUSTABLE	No
SHAVER SOCKET INCLUDED	No
CABLE LENGTH (MM)	1000
ENERGY RATING	E
DIMMABLE	No
DE-MISTER WATTAGE	34.87W
IP RATING HEATING	IP44

TECHNICAL DIMENSIONS

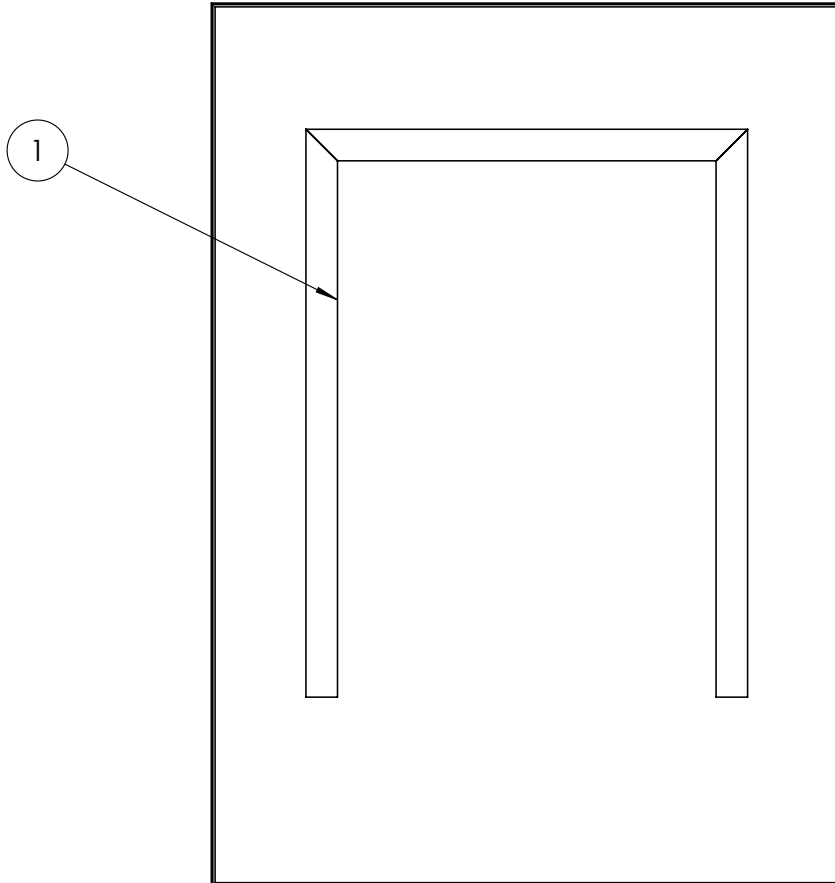
Dimensions in mm unless otherwise specified.

Tolerances (per material type) apply.



SPARES LIST

Only the parts labelled are available as spares.



NUMBER	PART CODE	DESCRIPTION
1	MIRRORFIX	Fix Screw Pack Keyhole Mirror Fix