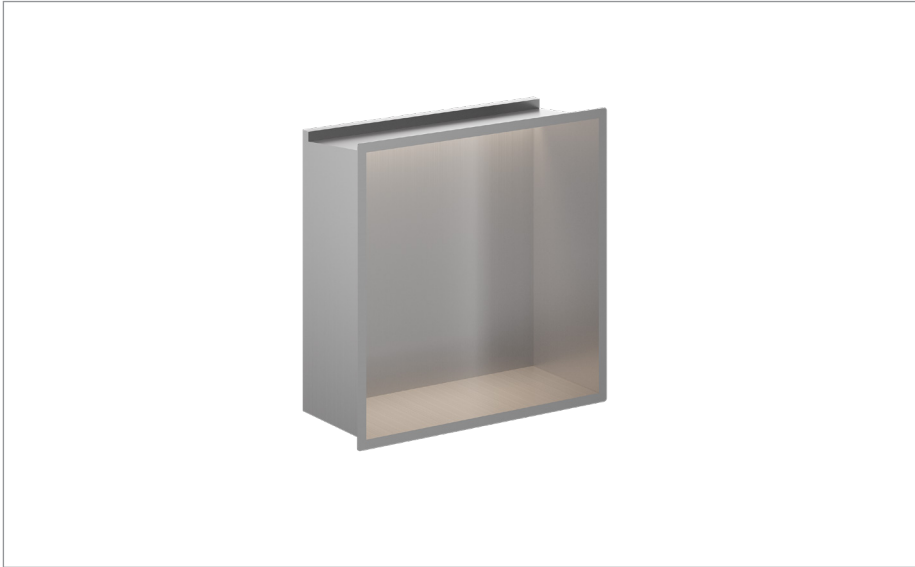


PRODUCT DATA SHEET



PRODUCT CODE

NI305305LV

RANGE

Niche

DESCRIPTION

Niches 305 x 305mm with LED Light Strip Brushed Nickel

WEBSITE LINK

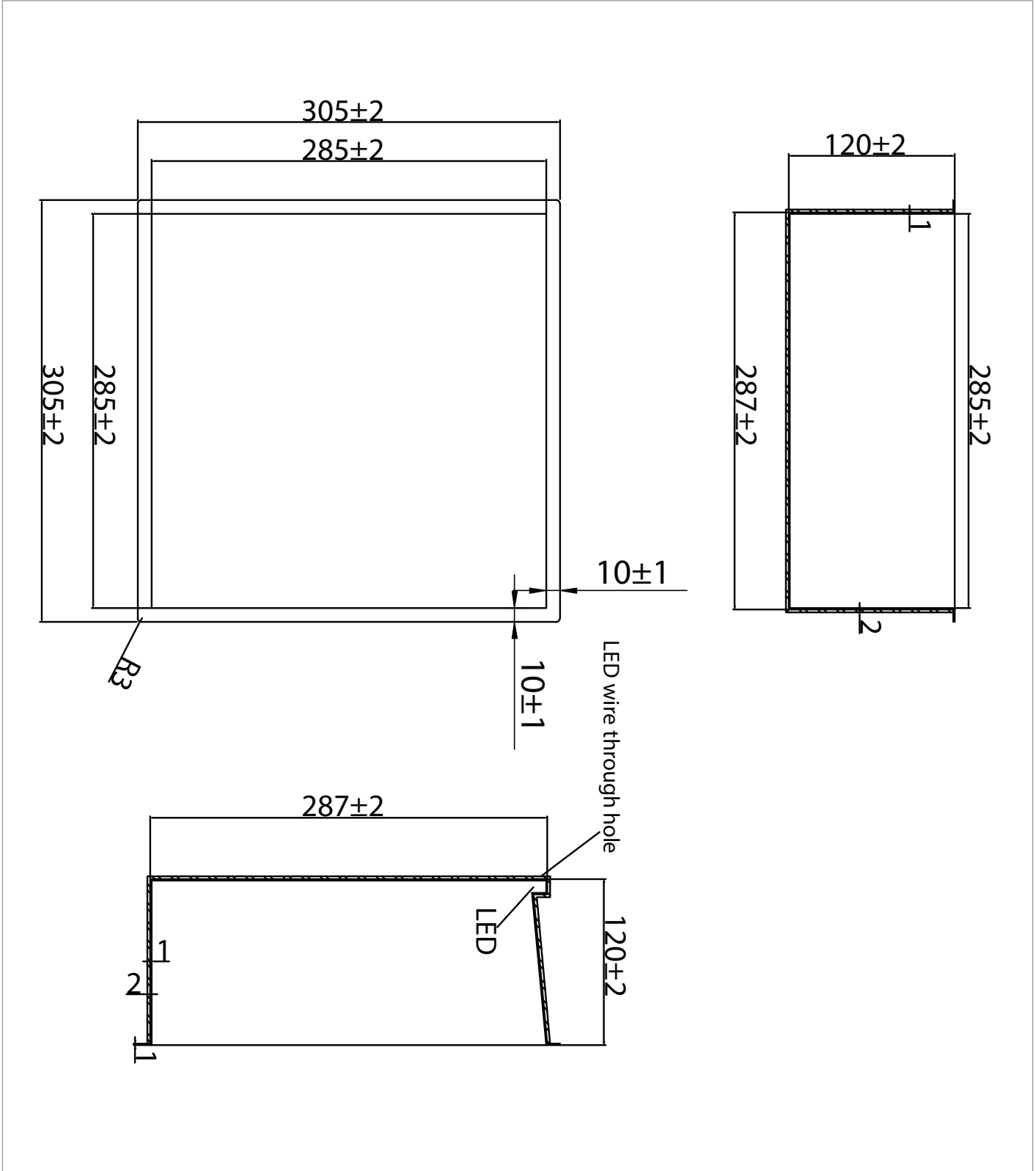
[Click Here](#)

CATEGORY	Accessories
WARRANTY DETAILS	15 Years
COLOUR	Brushed Nickel
FINISH APPLICATION	PVD
PRIMARY MATERIAL	304 Stainless Steel
INSTALL TYPE	Wall Mounted
PRODUCT WIDTH MM	305
PRODUCT HEIGHT MM	305
PRODUCT DEPTH MM	120
PRODUCT NET WEIGHT KG	4.5

TECHNICAL DIMENSIONS

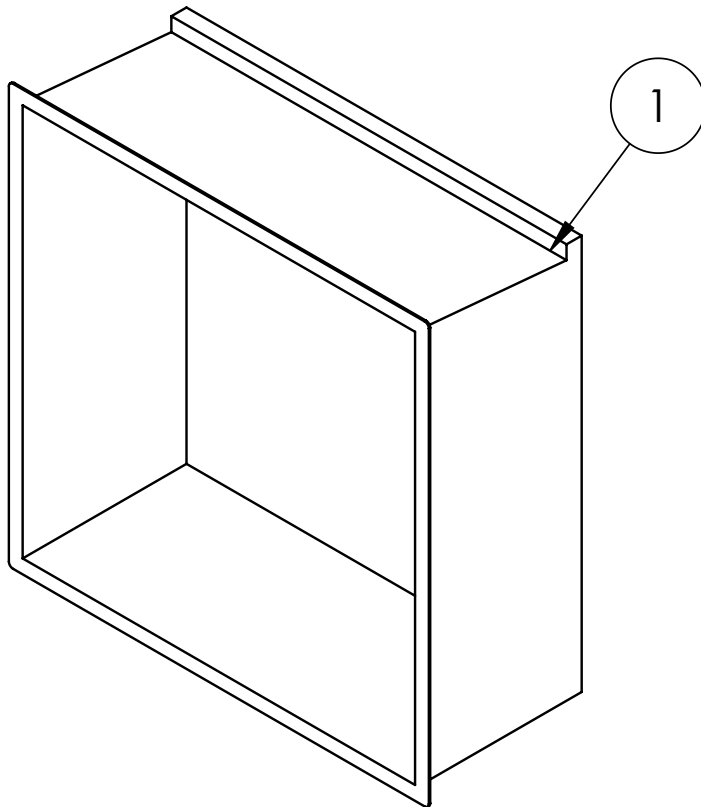
Dimensions in mm unless otherwise specified.

Tolerances (per material type) apply.



SPARES LIST

Only the parts labelled are available as spares.



NUMBER	PART CODE	DESCRIPTION
1	NI00305	LED Light strip with tube 305mm