

PRODUCT DATA SHEET



PRODUCT CODE

NI305610LT

RANGE

Niche

DESCRIPTION

Niches 610 x 305mm with LED Light Strip Slate

WEBSITE LINK

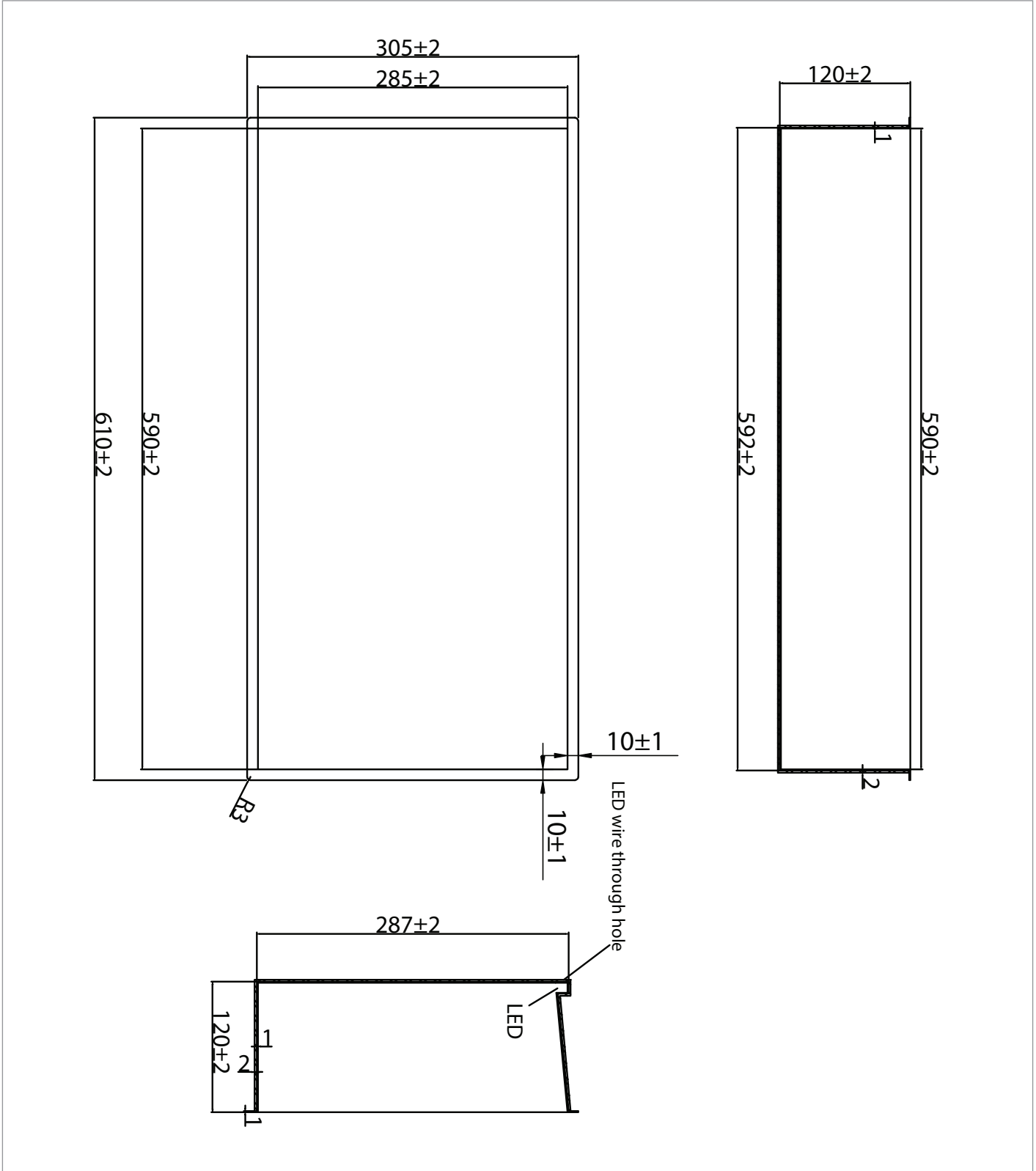
[Click Here](#)

CATEGORY	Accessories
WARRANTY DETAILS	15 Years
COLOUR	Slate
FINISH APPLICATION	PVD
PRIMARY MATERIAL	304 Stainless Steel
INSTALL TYPE	Wall Mounted
PRODUCT WIDTH MM	610
PRODUCT HEIGHT MM	305
PRODUCT DEPTH MM	120
PRODUCT NET WEIGHT KG	7.5

TECHNICAL DIMENSIONS

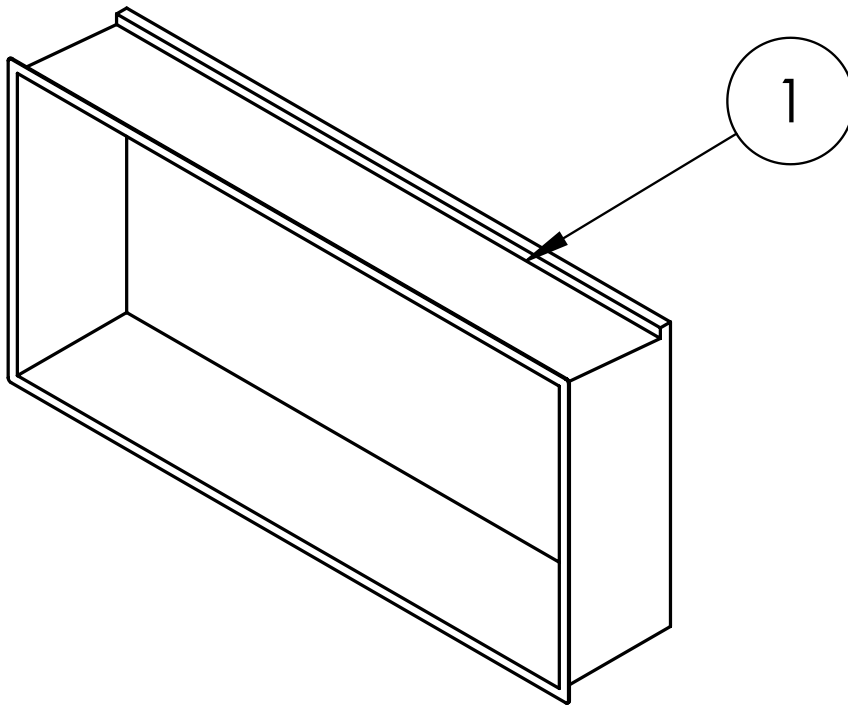
Dimensions in mm unless otherwise specified.

Tolerances (per material type) apply.



SPARES LIST

Only the parts labelled are available as spares.



NUMBER	PART CODE	DESCRIPTION
1	NI00610	LED Light strip with tube 610mm