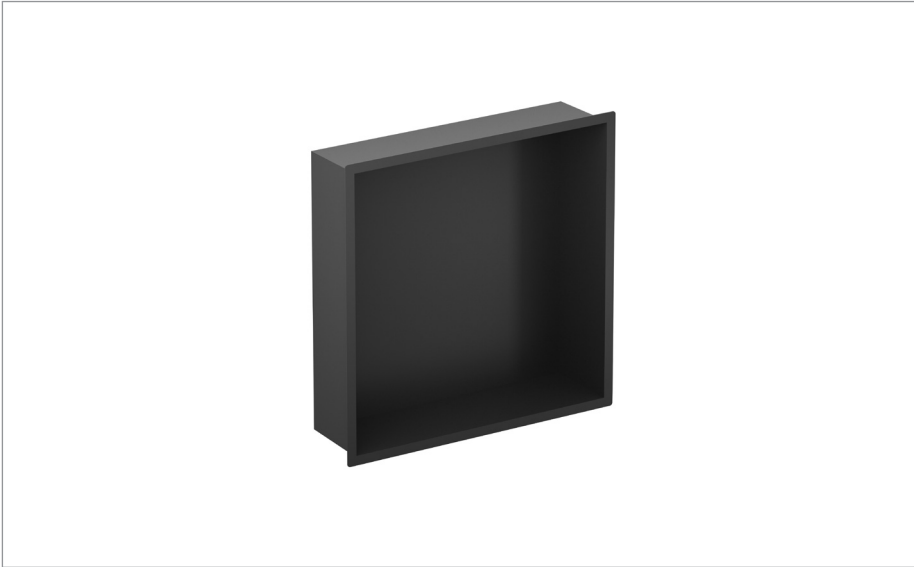


PRODUCT DATA SHEET



PRODUCT CODE

NI80305305MB

RANGE

Niche

DESCRIPTION

Niches 305 x 305mm x 80mm Matt Black

WEBSITE LINK

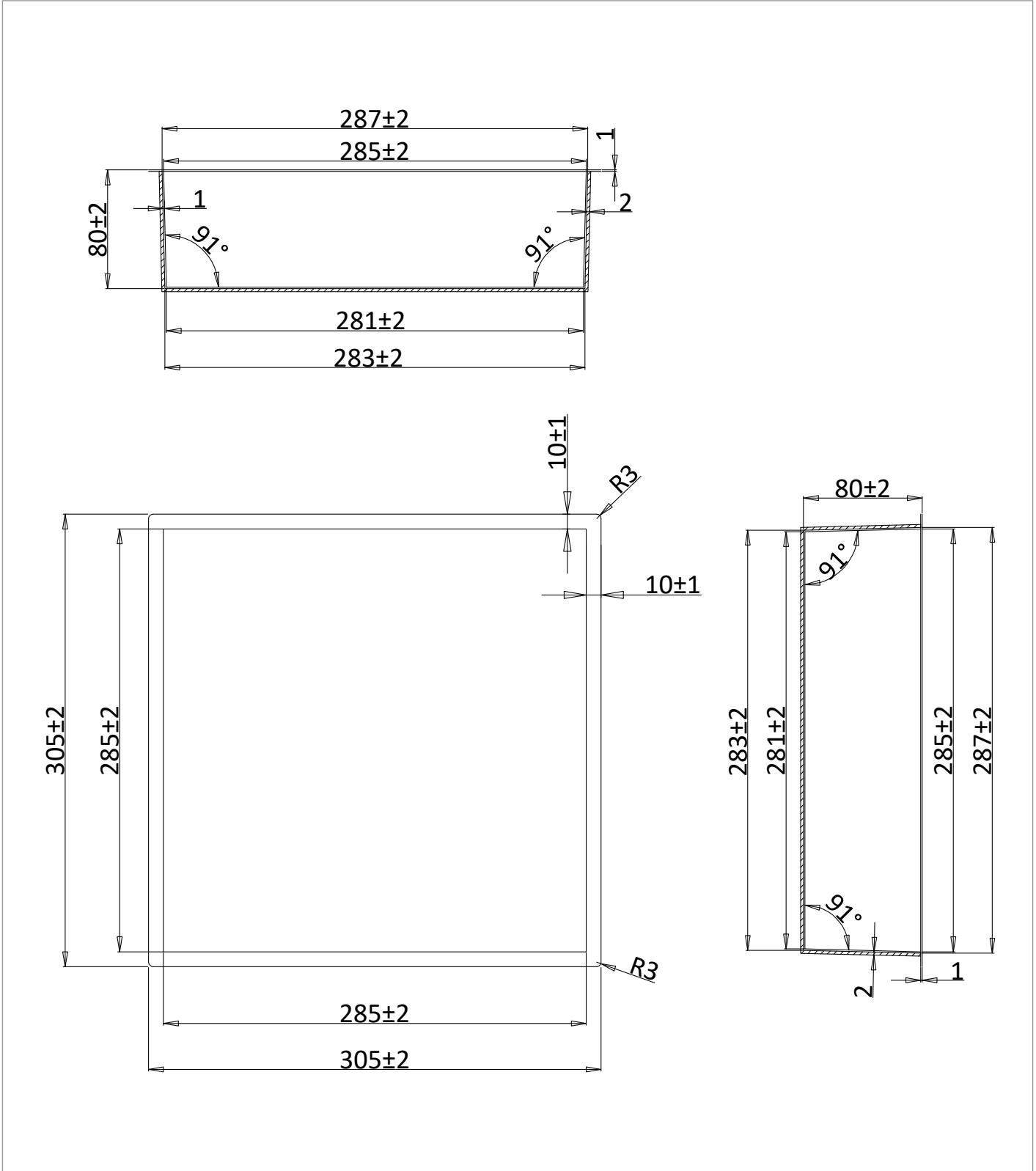
[Click Here](#)

| | |
|-----------------------|---------------------|
| CATEGORY | Accessories |
| WARRANTY DETAILS | 15 Years |
| COLOUR | Matt Black |
| FINISH APPLICATION | Immersion Plating |
| PRIMARY MATERIAL | 304 Stainless Steel |
| INSTALL TYPE | Wall Mounted |
| PRODUCT WIDTH MM | 305 |
| PRODUCT HEIGHT MM | 305 |
| PRODUCT DEPTH MM | 80 |
| PRODUCT NET WEIGHT KG | 1.5 |

TECHNICAL DIMENSIONS

Dimensions in mm unless otherwise specified.

Tolerances (per material type) apply.



SPARES LIST

Only the parts labelled are available as spares.

NO SPARES AVAILABLE