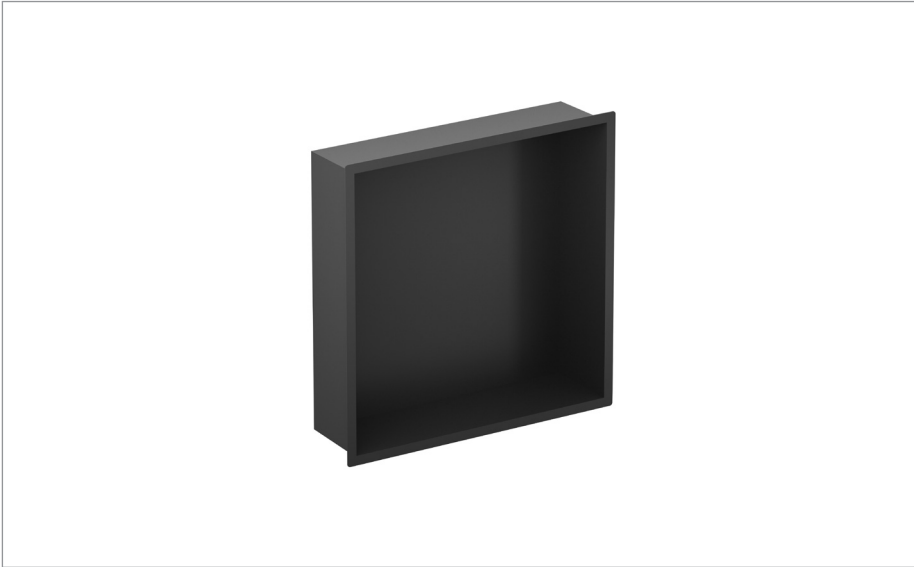


PRODUCT DATA SHEET



PRODUCT CODE

NI80305305MB

RANGE

Niche

DESCRIPTION

Niches 305 x 305mm x 80mm Matt Black

WEBSITE LINK

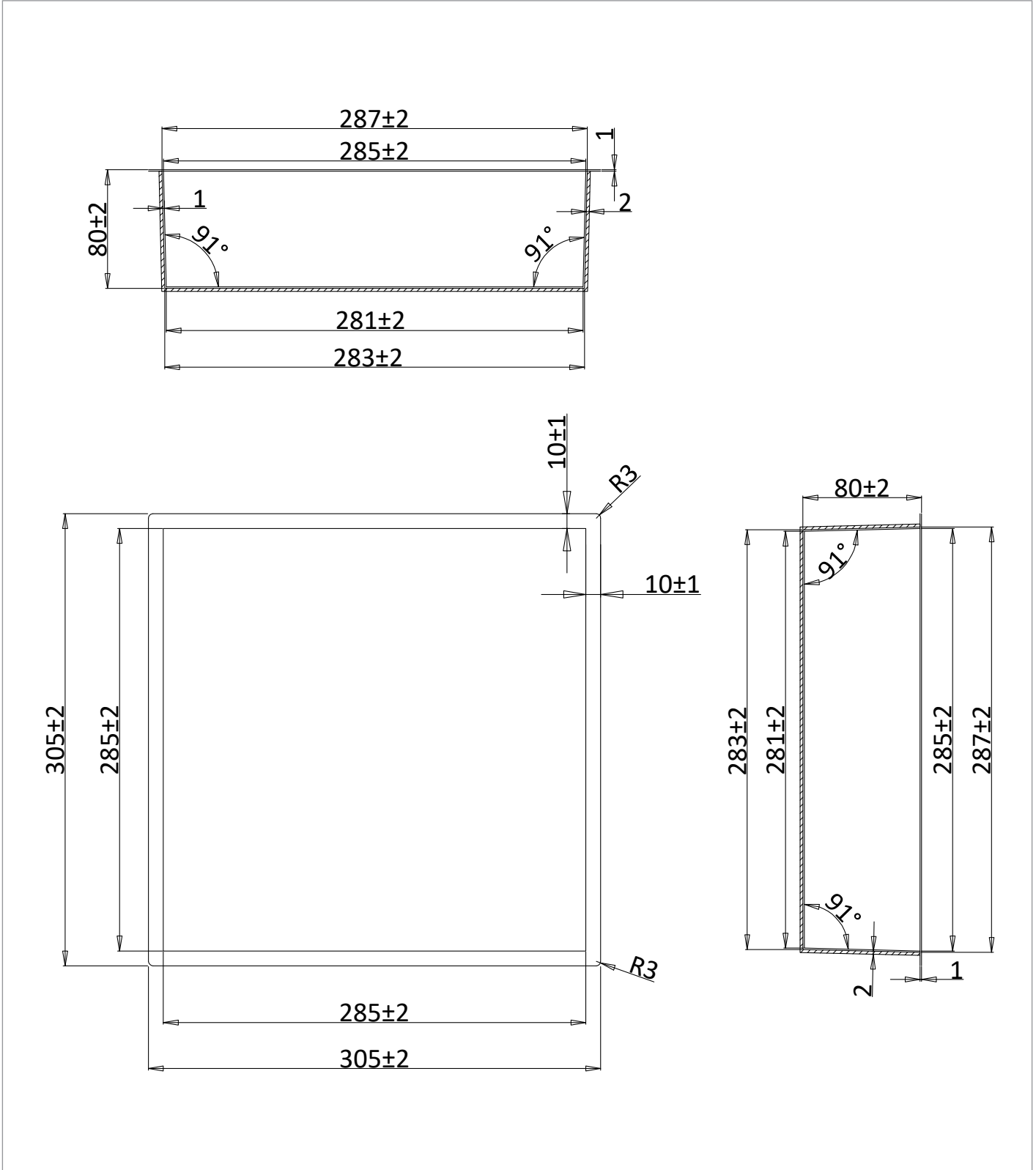
[Click Here](#)

CATEGORY	Accessories
WARRANTY DETAILS	15 Years
COLOUR	Matt Black
FINISH APPLICATION	Immersion Plating
PRIMARY MATERIAL	304 Stainless Steel
INSTALL TYPE	Wall Mounted
PRODUCT WIDTH MM	305
PRODUCT HEIGHT MM	305
PRODUCT DEPTH MM	80
PRODUCT NET WEIGHT KG	1.5

TECHNICAL DIMENSIONS

Dimensions in mm unless otherwise specified.

Tolerances (per material type) apply.



SPARES LIST

Only the parts labelled are available as spares.

NO SPARES AVAILABLE