

PRODUCT DATA SHEET



PRODUCT CODE

OVFLOWC_V2

RANGE

Basin Overflow Cover

DESCRIPTION

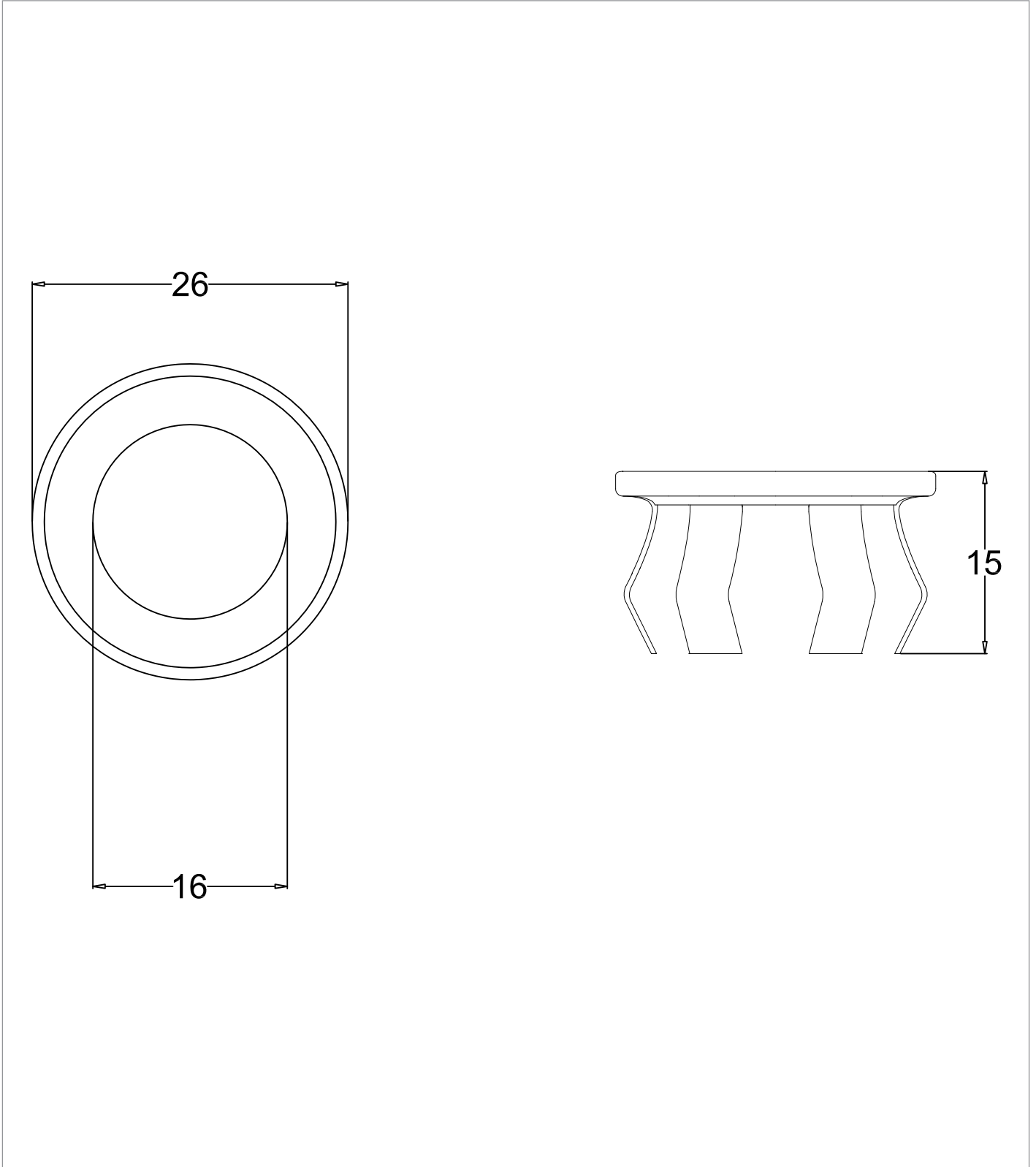
Basin Overflow Cover Chrome

CATEGORY	Sanitaryware
WARRANTY DETAILS	1 Year
COLOUR	Chrome
FINISH APPLICATION	Electroplated
PRIMARY MATERIAL	Brass
INSTALL TYPE	Basin Mounted
PRODUCT WIDTH MM	26
PRODUCT LENGTH MM	26
PRODUCT DEPTH MM	15
PRODUCT NET WEIGHT KG	1

TECHNICAL DIMENSIONS

Dimensions in mm unless otherwise specified.

Tolerances (per material type) apply.



SPARES LIST

Only the parts labelled are available as spares.

--