

# PRODUCT DATA SHEET



## PRODUCT CODE

OXBDVC0900R

## RANGE

Optix 10

## DESCRIPTION

Optix 10 Hinged Bath Screen with Inline Panel 90 Right Handed Brushed Nickel

## WEBSITE LINK

[Click Here](#)

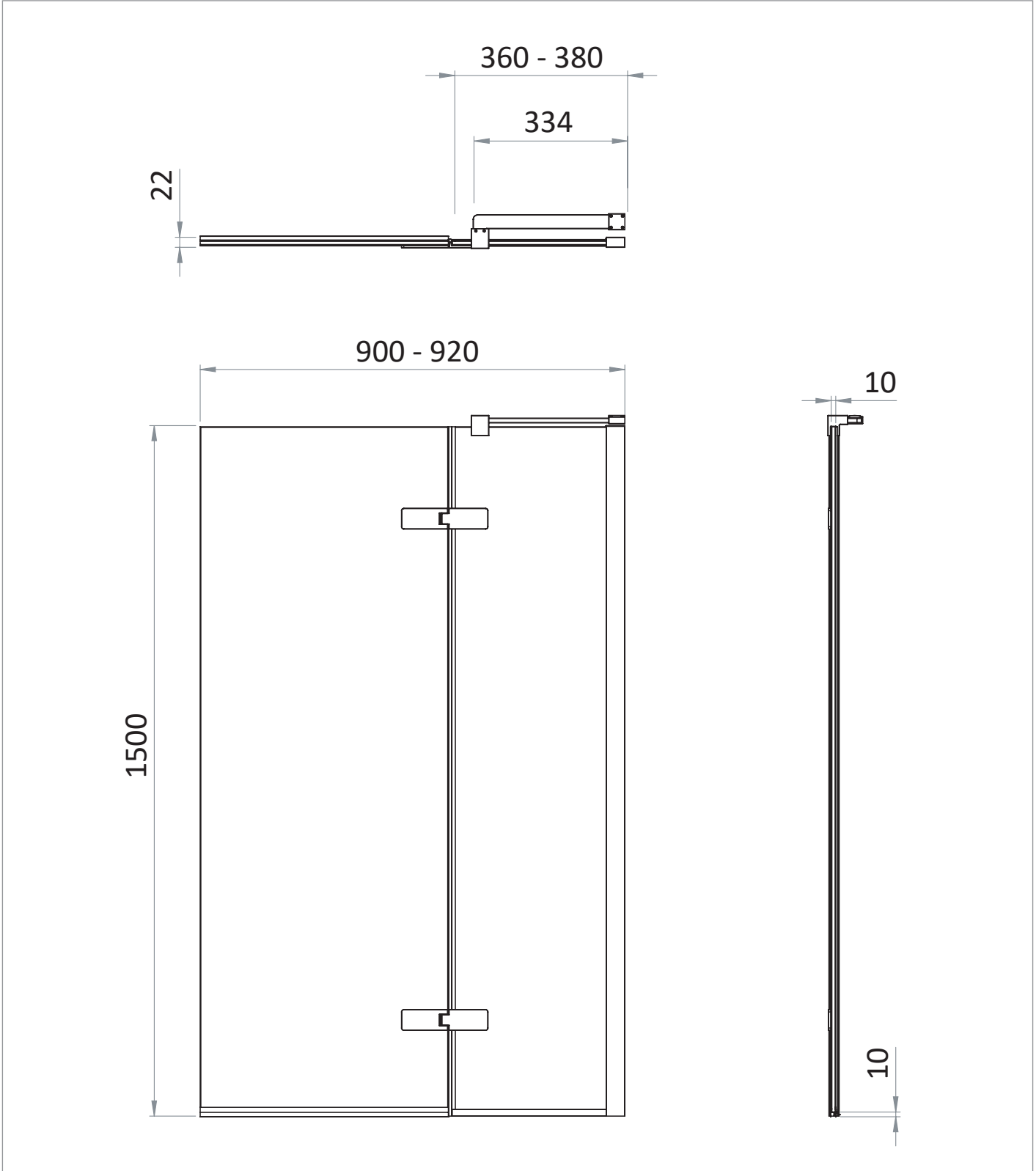
CATEGORY	Showering
WARRANTY DETAILS	Lifetime
COLOUR	Brushed Nickel
FINISH APPLICATION	PVD
PRIMARY MATERIAL	Glass
SECONDARY MATERIAL	304 Stainless Steel
INSTALL TYPE	Wall Mounted
PRODUCT WIDTH MM	900
PRODUCT HEIGHT MM	1500
PRODUCT LENGTH MM	10
PRODUCT NET WEIGHT KG	36

STANDARDS	EN14428
HANDING SHOWERING	Left Hand
GLASS THICKNESS	10mm
EASY CLEAN	Yes
MAGNETIC DOOR STRIPS	No
NUMBER OF DOORS	1
SOFT CLOSING DOORS	No
SAFETY GLASS	Yes
REMOVABLE SEALS	Yes
QUICK RELEASE ROLLERS	No
WET ROOM COMPATIBLE	No
DOOR A INFORMATION	Bath screen
DOOR ADJUSTMENT	900-915mmmm

## TECHNICAL DIMENSIONS

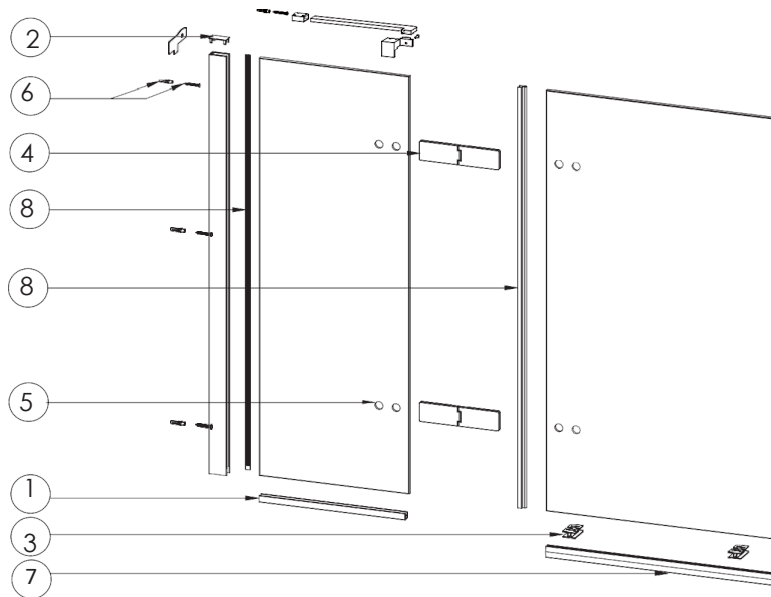
Dimensions in mm unless otherwise specified.

Tolerances (per material type) apply.



## SPARES LIST

Only the parts labelled are available as spares.



NUMBER	PART CODE	DESCRIPTION
1	OPBATHPROFILEBZ	Bath Screen Bottom Profile Brushed Bronze
	OPBATHPROFILET	Bath Screen Bottom Profile Slate
	OPBATHPROFILEV	Bath Screen Bottom Profile Pt 11 Brushed Nickel
	OPBATHPROFILES	Bath Screen Bottom Profile Pt 11
	OPBATHPROFILEF	Bath Screen Bottom Profile Pt 11 BB
2	OPPROFILECAP	Optix Wall Profile Cover Caps
3	OPTIXBATHSPACER	Optix Bath Screen Moving Door Spacer x2
4	AXBATH1HINGBZ	Optix Bath Hinges x 2 Brushed Bronze
	AXBATH1HINGT	Optix Bath Hinges x 2 Slate
	AXBATH1HINGES	Bath Screen 180 Hinge Chrome Part 10
	AXBATH1HINGEF	Bath Screen 180 Hinge Br Brass Part 10
	AXBATH1HINGEV	Bath Screen 180 Hinge Brushed Nickel Part 10
5	AXBATHCOVERSBZ	Optix Bath Hinge Covers x8 Brushed Bronze
	AXBATHCOVERST	Optix Bath Hinge Covers x8 Slate
	AXBATHCOVERSV	Optix Bath Hinge Covers Brushed Nickel
	AXBATHCOVERSPS	Optix Bath Hinge Covers Chrome
	AXBATHCOVERSF	Optix Bath Hinge Covers Br Brass
6	AXBATH1PACK	Optix Blister Bath Screen All
7	AXBATHSEAL2	Optix Bottom Bath Screen Seal 13
8	AXBATHSEALS	Optix Bath Screen Seals