

PRODUCT DATA SHEET



PRODUCT CODE

PRC110DNBZ

RANGE

MPRO Crosshead

DESCRIPTION

MPRO Crosshead Basin Monobloc
Brushed Bronze

WEBSITE LINK

[Click Here](#)

CATEGORY	Brassware
WARRANTY DETAILS	15 Years
COLOUR	Brushed Bronze
FINISH APPLICATION	PVD
PRIMARY MATERIAL	Brass
SECONDARY MATERIAL	Zinc
INSTALL TYPE	Deck Mounted
PRODUCT WIDTH MM	171
PRODUCT HEIGHT MM	294
PRODUCT DEPTH MM	188
PRODUCT NET WEIGHT KG	1.48
MINIMUM PRESSURE (BAR)	1
MAX WORKING PRESSURE (BAR)	5

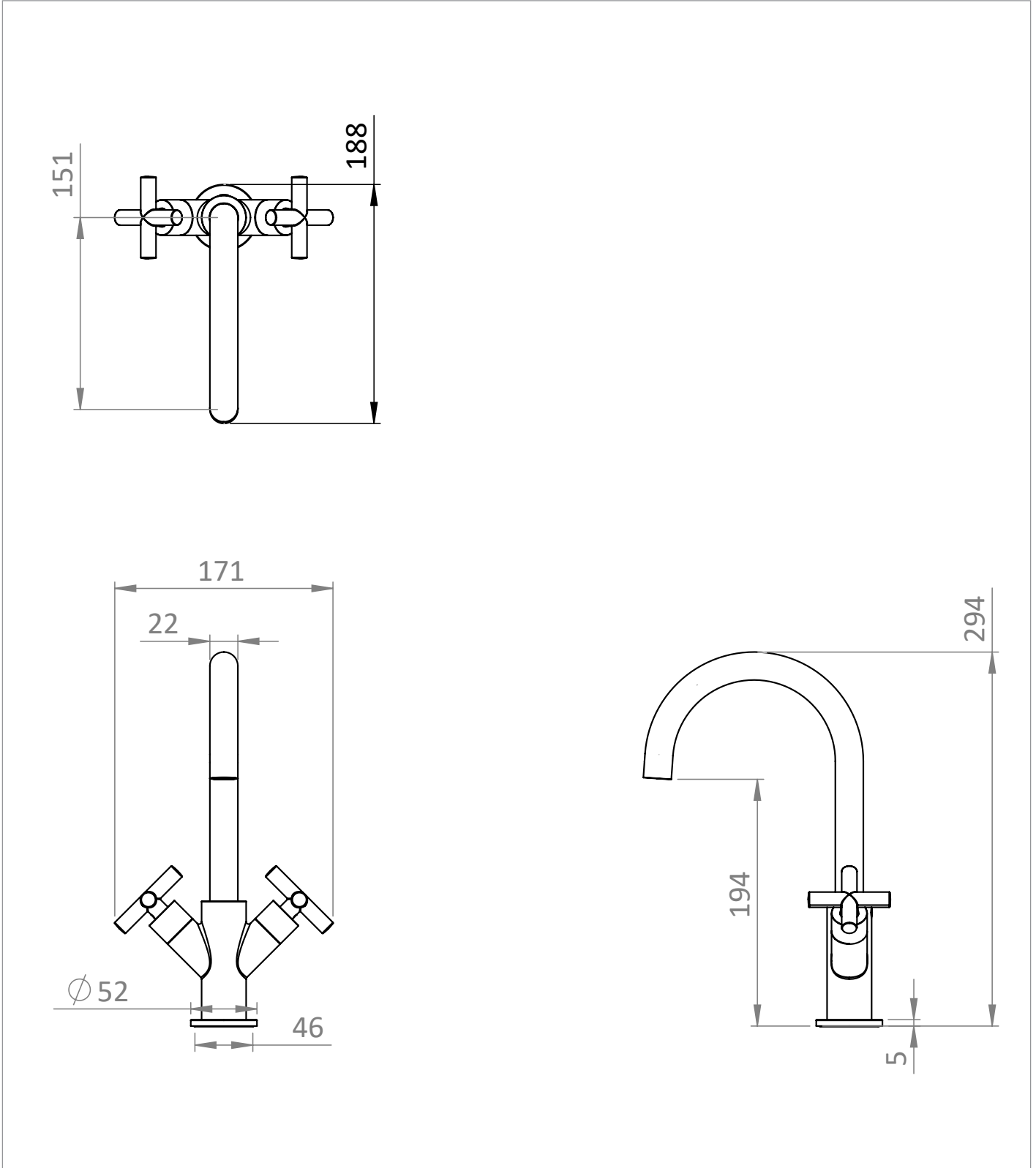
STANDARDS	BS EN 817:2008
APPROVAL	KIWA - 2111716
NUMBER OF OUTLETS	1
NUMBER OF FUNCTIONS	1
HEADWORK	1/2" Quarter turn ceramic cartridge
SPOUT PROJECTION	151
SWIVEL SPOUT	Yes
INLET CONNECTIONS THREAD	G1/2"
OUTLET CONNECTIONS THREAD	M16.5x1
WASTE INCLUDED	No
ANTI-SCALD	No
ENERGY SAVING	No

PRESSURE (BAR)	0.2	0.5	1	2	3	4	5
PRIMARY FLOWRATE			4.1	4.6	4.6	4.5	4.6
HANDSET FLOWRATE							
MASSAGE FLOW RATE							
AIR FLOW RATE							
WIRE FLOW RATE							
WATERFALL FLOW RATE							
MIST FLOW RATE							
HANDSPRAY FLOW RATE							

TECHNICAL DIMENSIONS

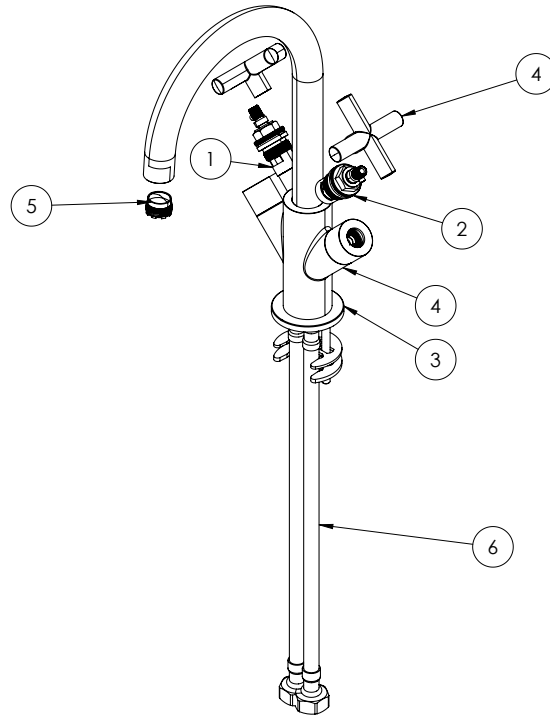
Dimensions in mm unless otherwise specified.

Tolerances (per material type) apply.



SPARES LIST

Only the parts labelled are available as spares.



NUMBER	PART CODE	DESCRIPTION
1	A010120700	PRC110/130/135/450 Ceramic Head (COLD)
2	A010120800	PRC110/130/135/450 Ceramic Head (HOT)
3	A010120904	PRC110DNV Base Ring
	A010120902	PRC110DNM Base Ring
	A010120903	PRC110DNF Base Ring
	A010120900	PRC110DNC Base Ring
	A010120905	Base Ring PRC110DNBZ
	A010120906	Base Ring PRC110DNT
4	A010120505	Crosshead Handle for PRC110/130/135/450DBZ Brushed Bronze
	A010120500	Crosshead Handle for PRC110/130/135/450 Chrome
	A010120503	Crosshead Handle for PRC110/130/135/450 Brushed Brass
	A010120502	Crosshead Handle for PRC110/130/135/450 Matt Black
	A010120506	Crosshead Handle for PRC110/130/135/450DT Slate
	A010120504	Crosshead Handle for PRC110/130/135/450 Stainless
5	43225345002	TJ Cache 2.2gpm Insert
6	A010121300	PRC110 Flexible Hose (G1/2xM10x1-35CM)