

# PRODUCT DATA SHEET



## PRODUCT CODE

PRC135DNT

## RANGE

MPRO Crosshead

## DESCRIPTION

MPRO Crosshead Basin Set Single Plate Slate

## WEBSITE LINK

[Click Here](#)

CATEGORY	Brassware
WARRANTY DETAILS	15 Years
COLOUR	Slate
FINISH APPLICATION	PVD
PRIMARY MATERIAL	Brass
SECONDARY MATERIAL	Zinc
INSTALL TYPE	Deck Mounted
PRODUCT WIDTH MM	280
PRODUCT HEIGHT MM	245
PRODUCT DEPTH MM	170
PRODUCT NET WEIGHT KG	1.6
MINIMUM PRESSURE (BAR)	1
MAX WORKING PRESSURE (BAR)	5

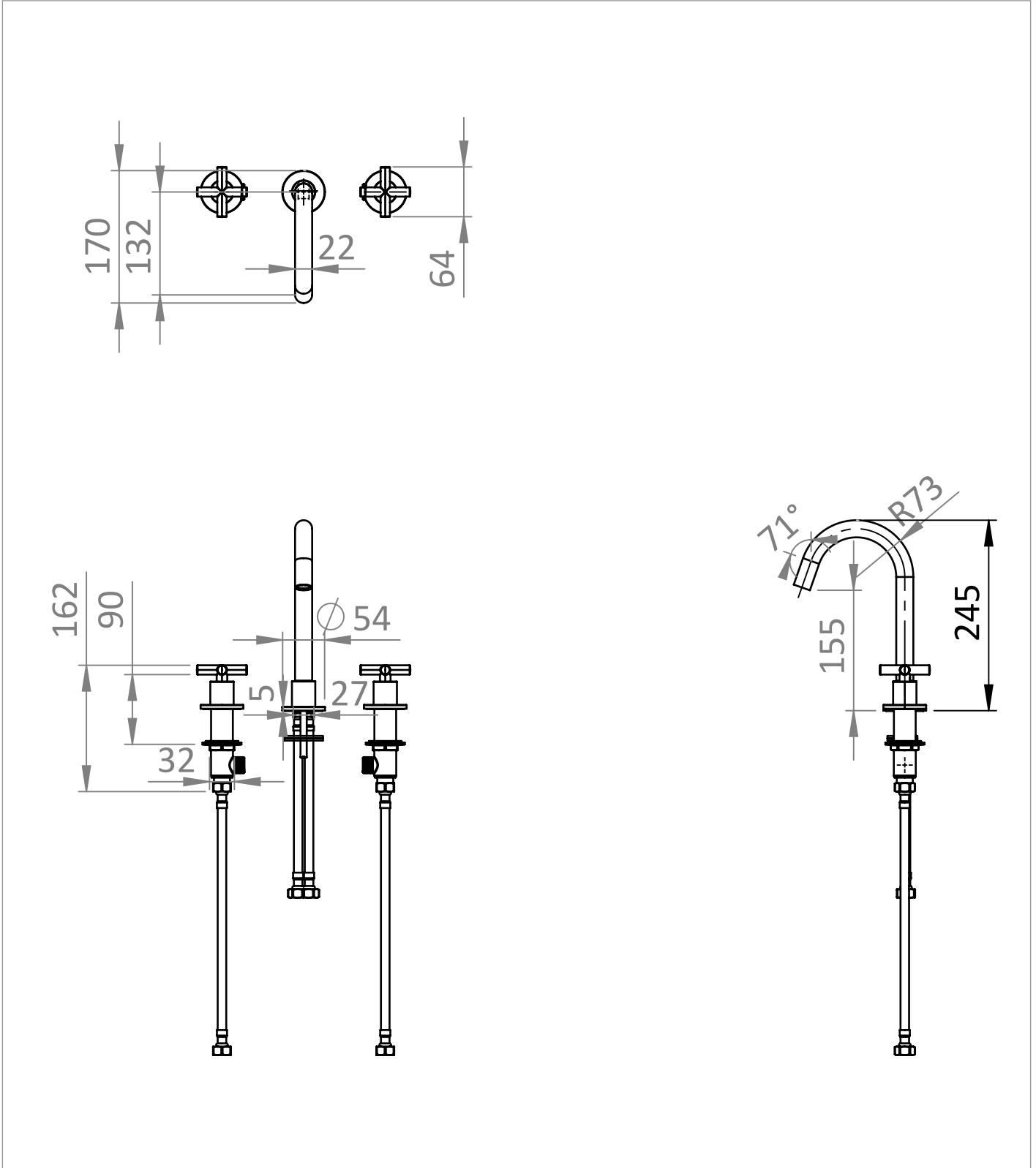
STANDARDS	BS EN 200:2008
APPROVAL	KIWA - 2109730
NUMBER OF OUTLETS	1
NUMBER OF FUNCTIONS	1
HEADWORK	1/2" Quarter turn ceramic cartridge
SPOUT PROJECTION	132.5
SWIVEL SPOUT	No
INLET CONNECTIONS THREAD	G1/2"
OUTLET CONNECTIONS THREAD	M16.5x1
WASTE INCLUDED	No
ANTI-SCALD	No
ENERGY SAVING	No

PRESSURE (BAR)	0.2	0.5	1	2	3	4	5
PRIMARY FLOWRATE			4.3	4.7	4.7	4.6	4.8
HANDSET FLOWRATE							
MASSAGE FLOW RATE							
AIR FLOW RATE							
WIRE FLOW RATE							
WATERFALL FLOW RATE							
MIST FLOW RATE							
HANDSPRAY FLOW RATE							

## TECHNICAL DIMENSIONS

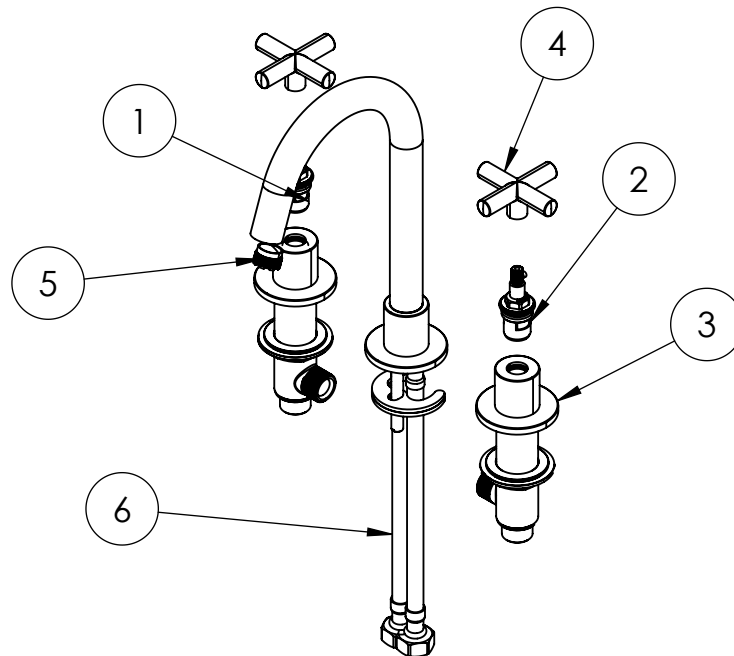
Dimensions in mm unless otherwise specified.

Tolerances (per material type) apply.



## SPARES LIST

Only the parts labelled are available as spares.



NUMBER	PART CODE	DESCRIPTION
1	A010120700	PRC110/130/135/450 Ceramic Head (COLD)
2	A010120800	PRC110/130/135/450 Ceramic Head (HOT)
3	A010150503	PRC135/450F BBrass Base Ring
	A010150500	PRC135/450C Chrome Base Ring
	A010150502	PRC135/450M Matt Black Base Ring
	A010150504	PRC135/450V Stainless Base Ring
	A010150506	Base Ring PRC135/450DT Slate
	A010150505	Base Ring PRC135/450DBZ Brushed Bronze
4	A010120505	Crosshead Handle for PRC110/130/135/450DBZ Brushed Bronze
	A010120506	Crosshead Handle for PRC110/130/135/450DT Slate
	A010120504	Crosshead Handle for PRC110/130/135/450 Stainless
	A010120502	Crosshead Handle for PRC110/130/135/450 Matt Black
	A010120503	Crosshead Handle for PRC110/130/135/450 Brushed Brass
	A010120500	Crosshead Handle for PRC110/130/135/450 Chrome
5	43225345002	TJ Cache 2.2gpm Insert
6	A031210100	PRC135 Flexible Hose (G1/2XM10X1-35CM)