

PRODUCT DATA SHEET



PRODUCT CODE

PRO005C_V2

RANGE

MPRO

DESCRIPTION

MPRO Soap Dish Chrome

WEBSITE LINK

[Click Here](#)

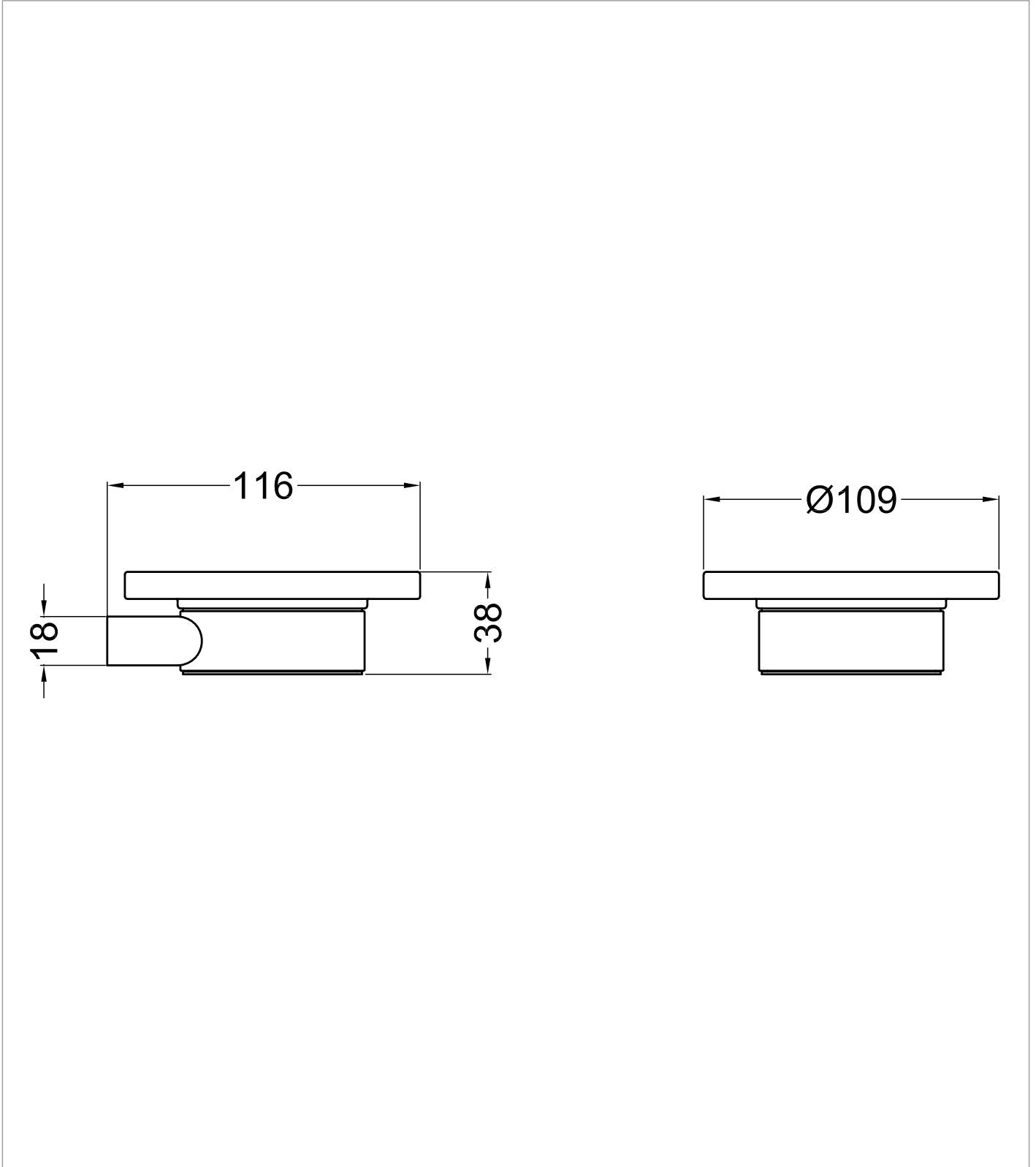
| | |
|-----------------------|---------------|
| CATEGORY | Accessories |
| WARRANTY DETAILS | 15 Years |
| COLOUR | Chrome |
| FINISH APPLICATION | Electroplated |
| PRIMARY MATERIAL | Brass |
| INSTALL TYPE | Wall Mounted |
| PRODUCT WIDTH MM | 110 |
| PRODUCT HEIGHT MM | 38 |
| PRODUCT LENGTH MM | 120 |
| PRODUCT DEPTH MM | 116 |
| PRODUCT NET WEIGHT KG | 0.43 |

| | |
|-----------|------------------|
| STANDARDS | BS EN 248 : 2002 |
|-----------|------------------|

TECHNICAL DIMENSIONS

Dimensions in mm unless otherwise specified.

Tolerances (per material type) apply.



SPARES LIST

Only the parts labelled are available as spares.

SPARES AVAILABLE UPON REQUEST