

PRODUCT DATA SHEET



PRODUCT CODE

PRO026V

RANGE

MPRO

DESCRIPTION

MPRO Freestanding Toilet Brush Holder
Brushed Nickel

WEBSITE LINK

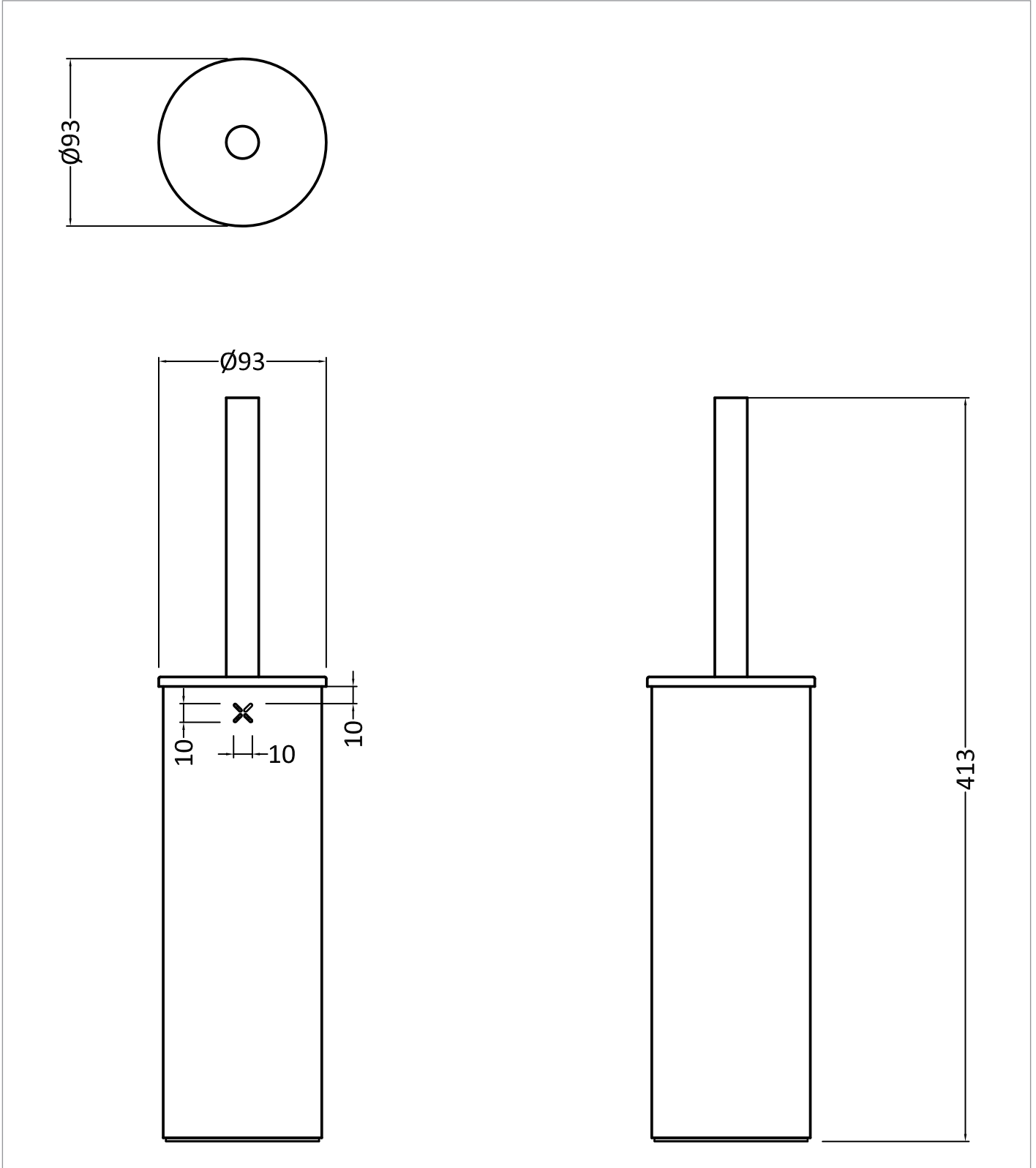
[Click Here](#)

CATEGORY	Accessories
WARRANTY DETAILS	15 Years
COLOUR	Brushed Nickel
FINISH APPLICATION	PVD
PRIMARY MATERIAL	304 Stainless Steel
SECONDARY MATERIAL	Brass
INSTALL TYPE	Floor Standing
PRODUCT WIDTH MM	93
PRODUCT HEIGHT MM	413
PRODUCT DEPTH MM	93
PRODUCT NET WEIGHT KG	1.3

TECHNICAL DIMENSIONS

Dimensions in mm unless otherwise specified.

Tolerances (per material type) apply.



SPARES LIST

Only the parts labelled are available as spares.

NUMBER	PART CODE	DESCRIPTION
1	PRO025BRUSHC	MPRO Wall Mount Toilet Brush Set Chrome
	PRO025BRUSHV	MPRO Wall Mount Toilet Brush Set Brushed Nickel
	PRO025BRUSHT	MPRO Wall Mount Toilet Brush Set Slate
	PRO025BRUSHM	MPRO Wall Mount Toilet Brush Set Matt Black
	PRO025BRUSHF	MPRO Wall Mount Toilet Brush Set Brushed Brass
	PRO025BRUSHBZ	MPRO Wall Mount Toilet Brush Set Brushed Brass