

PRODUCT DATA SHEET



PRODUCT CODE

PRO043C

RANGE

MPRO

DESCRIPTION

MPRO Towel Rail 450mm Chrome

WEBSITE LINK

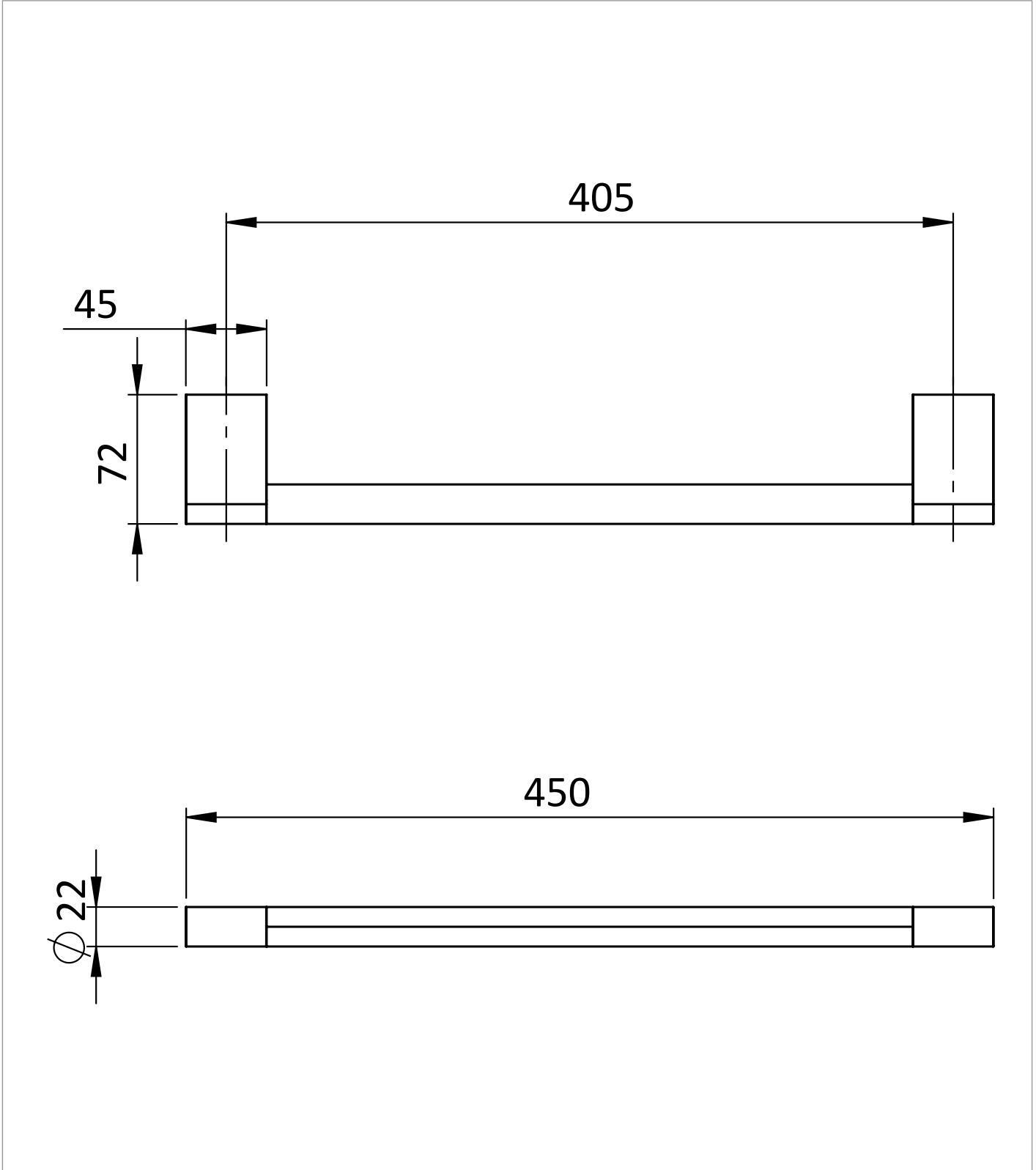
[Click Here](#)

CATEGORY	Accessories
WARRANTY DETAILS	15 Years
COLOUR	Chrome
FINISH APPLICATION	Electroplated
PRIMARY MATERIAL	Brass
SECONDARY MATERIAL	Zamac
INSTALL TYPE	Wall Mounted
PRODUCT WIDTH MM	450
PRODUCT HEIGHT MM	22
PRODUCT DEPTH MM	72
PRODUCT NET WEIGHT KG	1

TECHNICAL DIMENSIONS

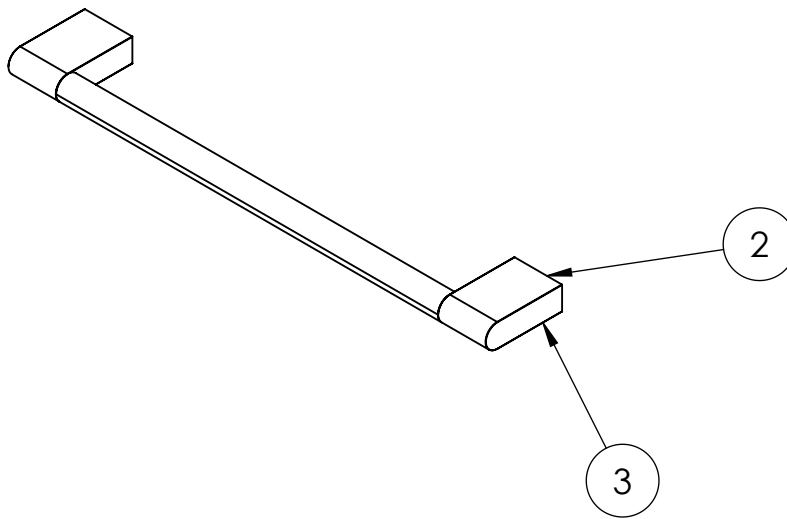
Dimensions in mm unless otherwise specified.

Tolerances (per material type) apply.



SPARES LIST

Only the parts labelled are available as spares.



NUMBER	PART CODE	DESCRIPTION
1	PRO00002	MPRO Screw Bag for PRO043/PRO023/PRO036
2	PRO00006	MPRO Wall Mounting Plate for PRO029/PRO043/PRO023/PRO036
3	PRO00012	MPRO Grub Screws for PRO029/PRO041/PRO043/PRO023/PRO036