

PRODUCT DATA SHEET



PRODUCT CODE

PRO047M

RANGE

MPRO

DESCRIPTION

MPRO 2 Swivel Towel Rail Matt Black

WEBSITE LINK

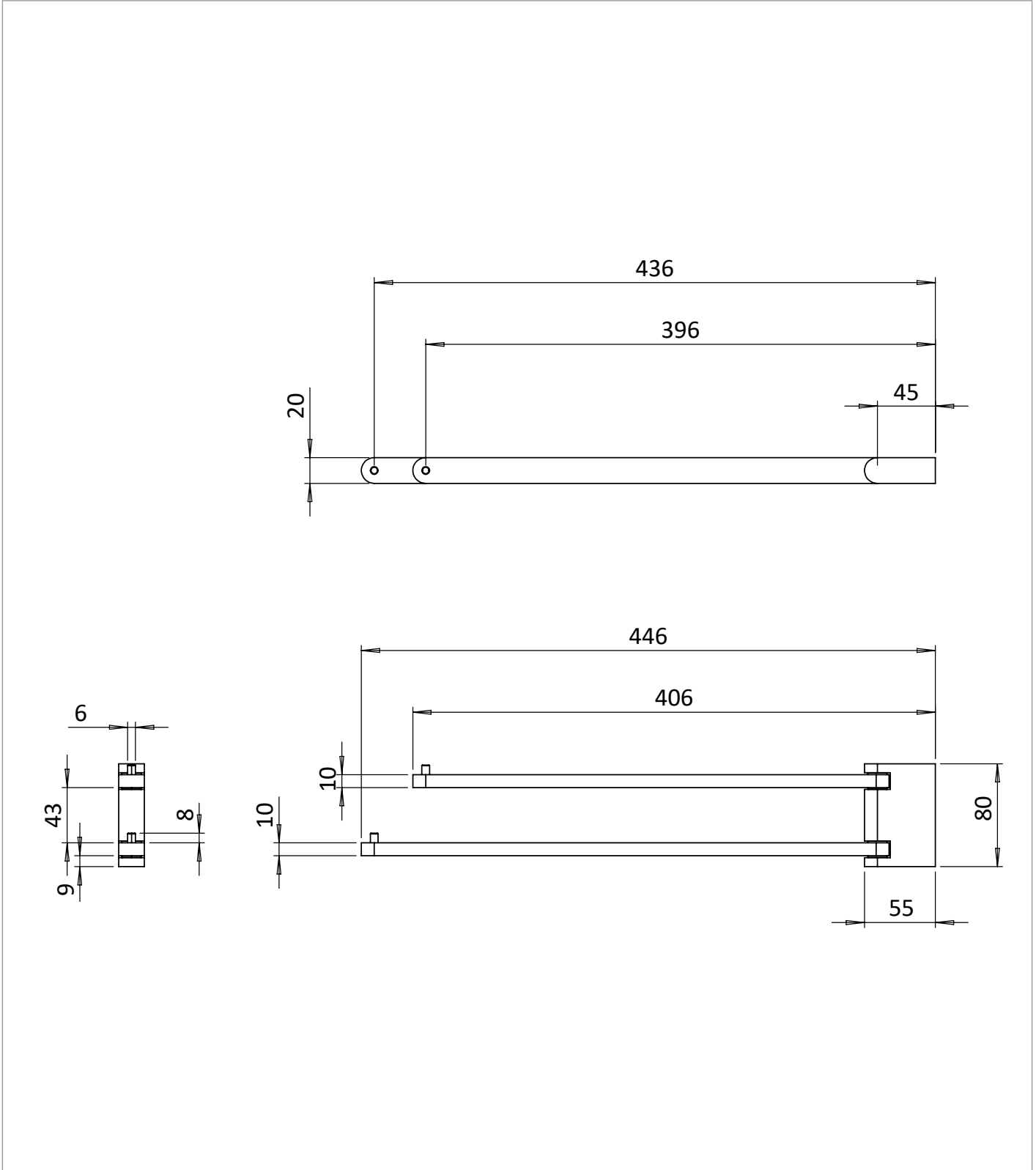
[Click Here](#)

CATEGORY	Accessories
WARRANTY DETAILS	15 Years
COLOUR	Matt Black
FINISH APPLICATION	Immersion Plating
PRIMARY MATERIAL	Brass
INSTALL TYPE	Wall Mounted
PRODUCT WIDTH MM	20
PRODUCT HEIGHT MM	80
PRODUCT LENGTH MM	446
PRODUCT NET WEIGHT KG	1.1

TECHNICAL DIMENSIONS

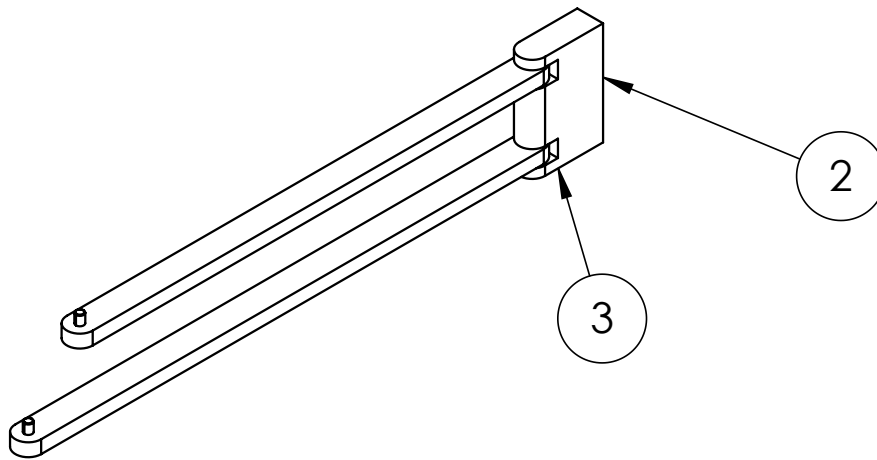
Dimensions in mm unless otherwise specified.

Tolerances (per material type) apply.



SPARES LIST

Only the parts labelled are available as spares.



NUMBER	PART CODE	DESCRIPTION
1	PRO00003	MPRO Screw Bag for PRO021/PRO047
2	PRO00009	MPRO Wall Mounting Plate for PRO047
3	PRO00010	MPRO Grub Screws for PRO047