

PRODUCT DATA SHEET



PRODUCT CODE

PRO110DNT_XL

RANGE

MPRO

DESCRIPTION

MPRO Basin Monobloc XL Slate

WEBSITE LINK

[Click Here](#)

| | |
|----------------------------|---------------|
| CATEGORY | Brassware |
| WARRANTY DETAILS | 15 Years |
| COLOUR | Slate |
| FINISH APPLICATION | PVD |
| PRIMARY MATERIAL | Brass |
| INSTALL TYPE | Basin Mounted |
| PRODUCT WIDTH MM | 52 |
| PRODUCT HEIGHT MM | 175 |
| PRODUCT DEPTH MM | 155.5 |
| PRODUCT NET WEIGHT KG | 1.1 |
| MINIMUM PRESSURE (BAR) | 0.5 |
| MAX WORKING PRESSURE (BAR) | 5 |

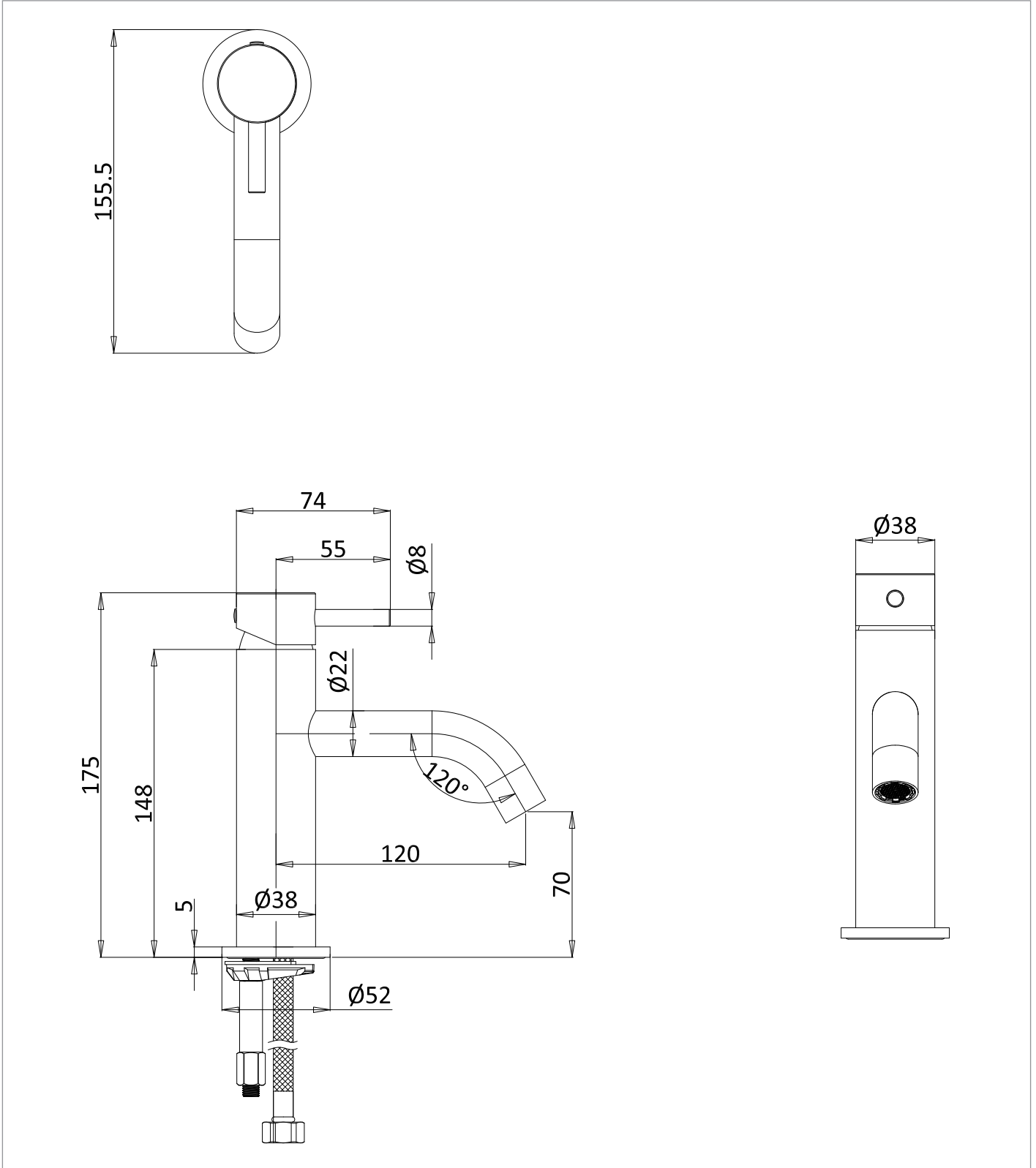
| | |
|---------------------|----------------|
| STANDARDS | BS EN 817:2008 |
| APPROVAL | WRAS - 2401903 |
| NUMBER OF OUTLETS | 1 |
| NUMBER OF FUNCTIONS | 1 |
| HEADWORK | D25PK4 |
| SPOUT PROJECTION | 120MM |
| SWIVEL SPOUT | No |
| WASTE INCLUDED | No |
| ANTI-SCALD | No |
| ENERGY SAVING | Yes |

| PRESSURE (BAR) | 0.2 | 0.5 | 1 | 2 | 3 | 4 | 5 |
|---------------------|-----|------|-----|-----|-----|------|---|
| PRIMARY FLOWRATE | | 2.74 | 3.8 | 4.5 | 4.8 | 4.93 | 5 |
| HANDSET FLOWRATE | | | | | | | |
| MASSAGE FLOW RATE | | | | | | | |
| AIR FLOW RATE | | | | | | | |
| WIRE FLOW RATE | | | | | | | |
| WATERFALL FLOW RATE | | | | | | | |
| MIST FLOW RATE | | | | | | | |
| HANDSPRAY FLOW RATE | | | | | | | |

TECHNICAL DIMENSIONS

Dimensions in mm unless otherwise specified.

Tolerances (per material type) apply.



SPARES LIST

Only the parts labelled are available as spares.

| NUMBER | PART CODE | DESCRIPTION |
|--------|--------------|---|
| 1 | CGPRO114M | Mixer Cartridge |
| 2 | PROXL00002 | Flexible Hose |
| 3 | PROXL00003L | Handle for PRO110DNL_XL Brushed Nickel |
| | PROXL00003T | Handle for PRO110DNT_XL Slate |
| | PROXL00003BZ | Handle for PRO110DNBZ_XL Brushed Bronze |
| | PROXL00003F | Handle for PRO110DNF_XL Brushed Brass |
| | PROXL00003M | Handle for PRO110DNM_XL Matt Black |
| | PROXL00003C | Handle for PRO110DNC_XL Chrome |
| 4 | PROXL00004L | Base Plate for PRO110DNL_XL Slate |
| | PROXL00004T | Base Plate for PRO110DNT_XL Slate |
| | PROXL00004BZ | Base Plate for PRO110DNBZ_XL Brushed Bronze |
| | PROXL00004F | Base Plate for PRO110DNF_XL Brushed Brass |
| | PROXL00004M | Base Plate for PRO110DNM_XL Matt Black |
| | PROXL00004C | Base Plate for PRO110DNC_XL Chrome |