

PRODUCT DATA SHEET



PRODUCT CODE

PRO112DNF

RANGE

MPRO

DESCRIPTION

MPRO Basin Tall Monobloc Brushsed Brass

WEBSITE LINK

[Click Here](#)

CATEGORY	Brassware
WARRANTY DETAILS	15 Years
COLOUR	Brushed Brass
FINISH APPLICATION	PVD
PRIMARY MATERIAL	Brass
INSTALL TYPE	Deck Mounted
PRODUCT WIDTH MM	46
PRODUCT HEIGHT MM	362
PRODUCT DEPTH MM	172
PRODUCT NET WEIGHT KG	2
MINIMUM PRESSURE (BAR)	0.5
MAX WORKING PRESSURE (BAR)	6

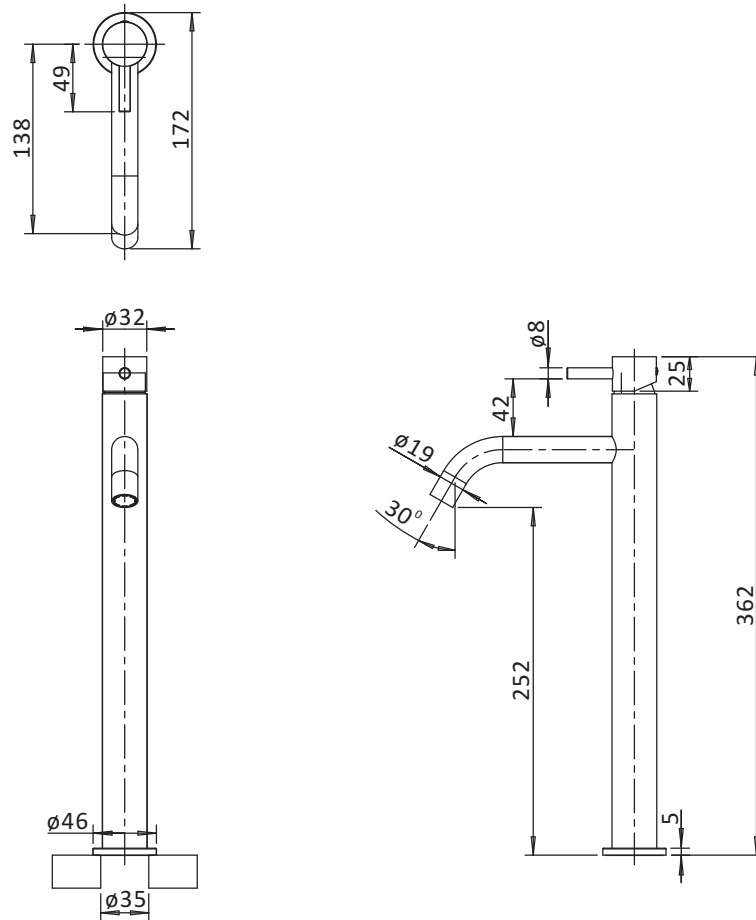
STANDARDS	BS EN 200:2008, BS EN 817:2008
NUMBER OF OUTLETS	1
NUMBER OF FUNCTIONS	1
HEADWORK	25mm Single lever ceramic cartridge
SPOUT PROJECTION	140
SWIVEL SPOUT	No
INLET CONNECTIONS THREAD	G1/2"
OUTLET CONNECTIONS THREAD	M16.5x1
FLOW REGULATOR	Neoperl Aerator
WASTE INCLUDED	No
ANTI-SCALD	No
ENERGY SAVING	Yes

PRESSURE (BAR)	0.2	0.5	1	2	3	4	5
PRIMARY FLOWRATE		3.06	4.42	5.72	4.83	4.71	4.59
HANDSET FLOWRATE							
MASSAGE FLOW RATE							
AIR FLOW RATE							
WIRE FLOW RATE							
WATERFALL FLOW RATE							
MIST FLOW RATE							
HANDSPRAY FLOW RATE							

TECHNICAL DIMENSIONS

Dimensions in mm unless otherwise specified.

Tolerances (per material type) apply.



SPARES LIST

Only the parts labelled are available as spares.

NUMBER	PART CODE	DESCRIPTION
1	44325101000	MPRO Basin Mixer Regulators
2	PRO110LEVERF	PRO110/112 Lever Brushed Brass