

PRODUCT DATA SHEET



PRODUCT CODE

PRO116DNC

RANGE

MPRO

DESCRIPTION

MPRO High Neck Basin Monobloc Chrome

WEBSITE LINK

[Click Here](#)

CATEGORY	Brassware
WARRANTY DETAILS	15 Years
COLOUR	Chrome
FINISH APPLICATION	Electroplated
PRIMARY MATERIAL	Brass
INSTALL TYPE	Deck Mounted
PRODUCT WIDTH MM	125
PRODUCT HEIGHT MM	243
PRODUCT DEPTH MM	171
PRODUCT NET WEIGHT KG	2.3
MINIMUM PRESSURE (BAR)	0.5
MAX WORKING PRESSURE (BAR)	6

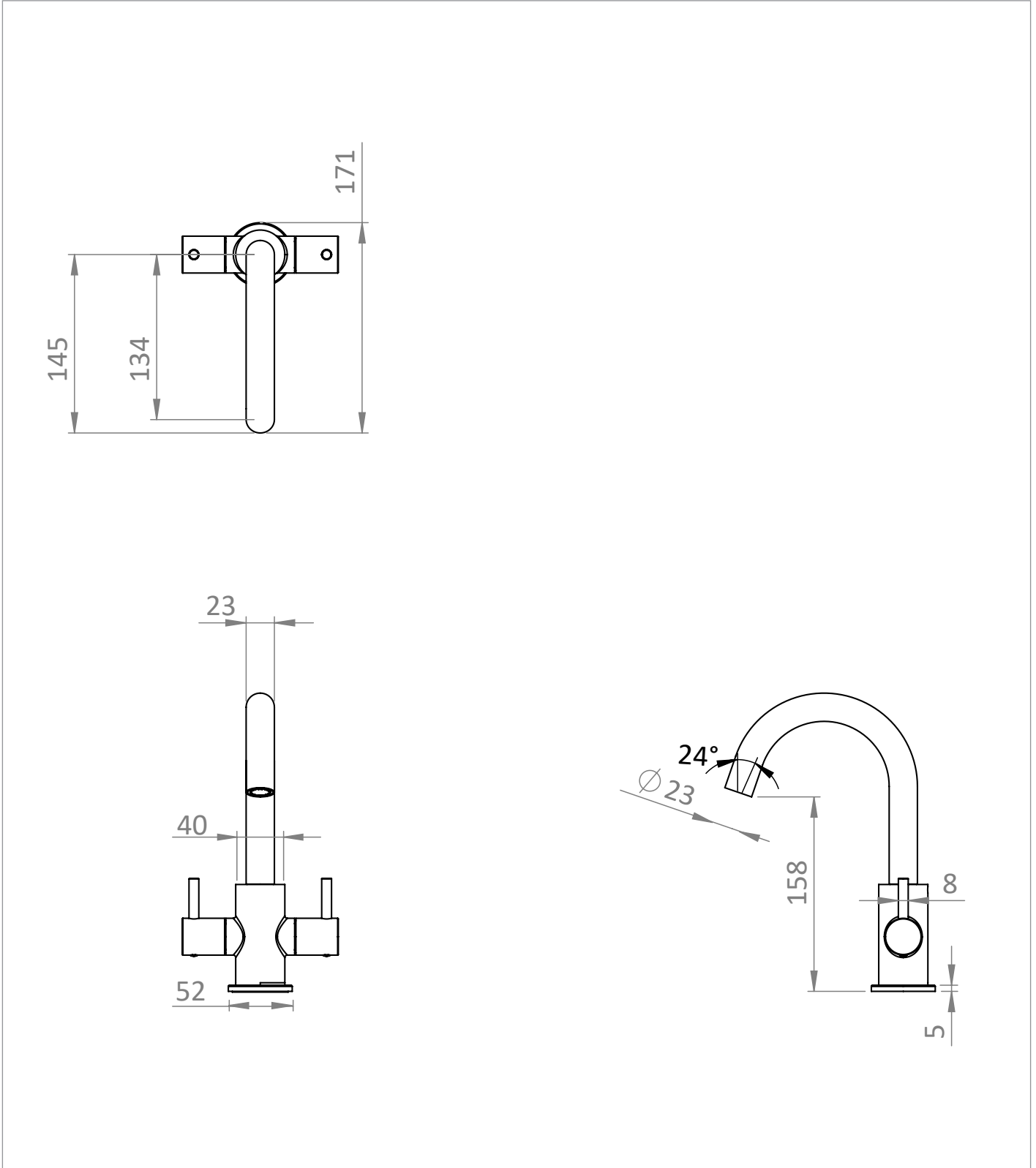
STANDARDS	BS EN 200:2008, BS EN 817:2008
NUMBER OF OUTLETS	1
NUMBER OF FUNCTIONS	1
HEADWORK	1/2" Quarter turn ceramic cartridge
SPOUT PROJECTION	134
SWIVEL SPOUT	No
INLET CONNECTIONS THREAD	G1/2"
OUTLET CONNECTIONS THREAD	M16.5x1
FLOW REGULATOR	Neoperl Aerator
WASTE INCLUDED	No
ANTI-SCALD	No
ENERGY SAVING	Yes

PRESSURE (BAR)	0.2	0.5	1	2	3	4	5
PRIMARY FLOWRATE		2.79	4.31	4.81	4.47		4.97
HANDSET FLOWRATE							
MASSAGE FLOW RATE							
AIR FLOW RATE							
WIRE FLOW RATE							
WATERFALL FLOW RATE							
MIST FLOW RATE							
HANDSPRAY FLOW RATE							

TECHNICAL DIMENSIONS

Dimensions in mm unless otherwise specified.

Tolerances (per material type) apply.



SPARES LIST

Only the parts labelled are available as spares.

NUMBER	PART CODE	DESCRIPTION
1	CGPRO116C	Cold Cartridge PRO116/135, RIV6/7/8
2	CGPRO116H	Hot Cartridge PRO116/135, RIV6/7/8
3	2211_0046_1_N0	Horseshoe Single Hole CT DE KL PRO MO
4	FT110FB1	10mm Flexitail for Basin Mixers